



REPLACEMENT PART GUIDE

3029TFU29R PowerTech 2.9L OEM Engine (Non-Certified)



SHORT BLOCK ASSEMBLY

[DZ102006](#) MARKED RE553810.



OIL FILTER

[RE519626](#) (5926)

500 hrs of operation or every 12 months.



FUEL FILTER

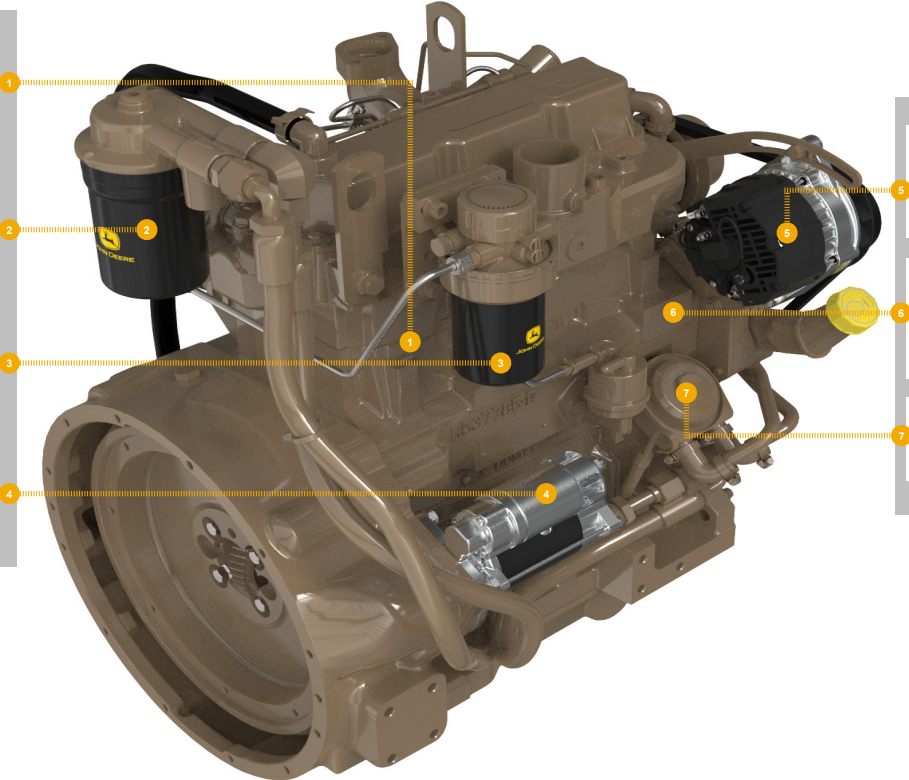
[RE60021](#) (35C6)

500 hrs of operation or every 12 months.



STARTER

[RE546868](#) (12V, 3.2KW) (30BA)



ALTERNATOR

[RE509106](#) (14V, 65A) (3132)



FAN BELT

[T24473](#) (LGTH = 1295 mm) (2402)



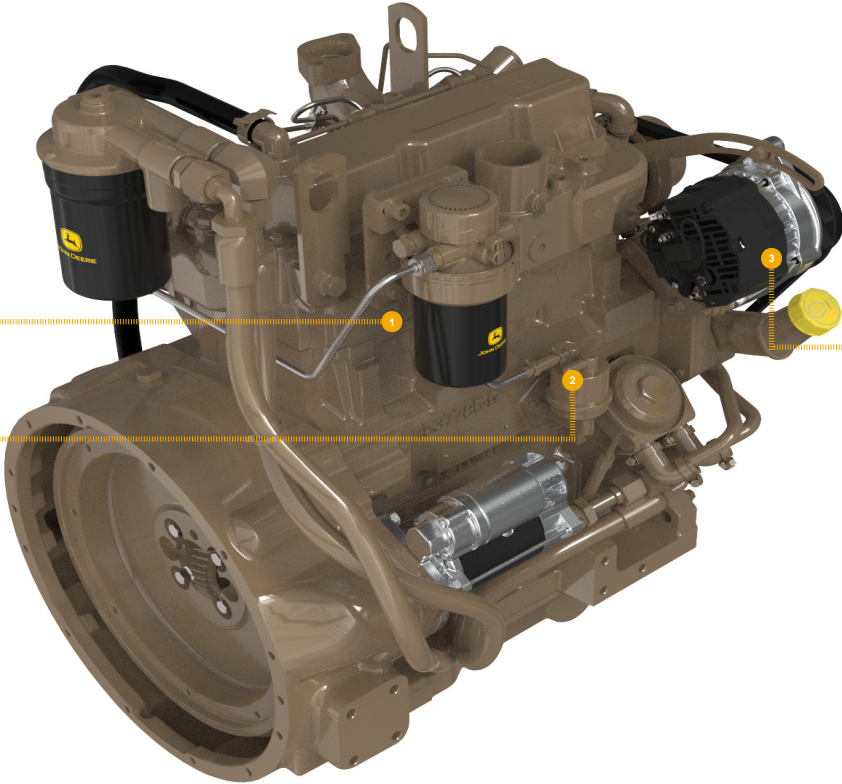
CRANKSHAFT PULLEY

[DZ108524](#) (OD = 140 mm) (1346)



REMAN PARTS GUIDE

3029TFU29R PowerTech 2.9L OEM Engine (Non-Certified)



CONNECTING ROD

[SE501571](#) (REMAN FOR [RE501674](#)) (4813)



FUEL INJECTION PUMP

[SE501319](#) (REMAN FOR [RE506877](#))
(16QS)



ALTERNATOR

[SE501835](#) (REMAN FOR [RE509106](#))
(14V, 65A) (3132)