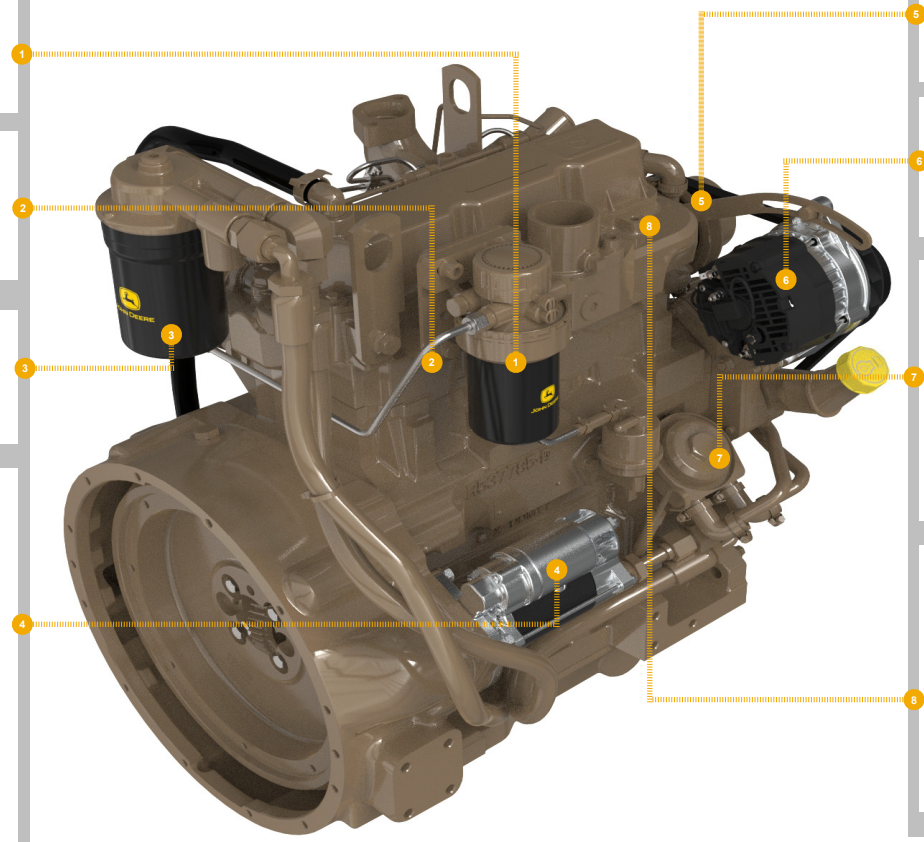




REPLACEMENT PART GUIDE

3029DF120 PowerTech 2.9L OEM Engine



FUEL FILTER



[RE60021](#) (3504, 3561, 3575)

500 hrs of operation or every 12 months.

SHORT BLOCK ASSEMBLY



[RE502325](#)

(without Side Mounts) (Piston Pin Diameter = 32 mm)

OIL FILTER



[T19044](#) (5904, 5920, 5999)

[RE59754](#) (5920)

500 hrs of operation or every 12 months.

STARTER



[RE540300](#) (12V, 7KW) (3001)

[RE501693](#) (12V, 2.5KW) (3007)

[DZ110081](#) (12V, 3.4KW) (3008, 3010)

[DZ110082](#) (24V, 4KW) (3014, 3025, 3094)

[RE523502](#) (12V, 4.2KW) (3016, 3091)

[RE528929](#) (24V) (3026, 3066)

[RE516157](#) (12V, 3.2KW) (3081)

[RE519568](#) (12V, 3.2KW) (3083)

[DZ101853](#) (3039)

FAN PULLEY



[R110081](#) (OD = 154 mm) (2308)

[R76979](#) (OD = 106 mm) (2311)

[R87148](#) (OD = 172 mm) (2313)

ALTERNATOR



[RE509106](#) (14V, 65A) (3113, 3123, 3143)

[RE544045](#) (28V, 50A) (3119, 3122)

[AL207585](#) (14V, 55A) (3126)

CRANKSHAFT PULLEY



[R501223](#) (OD = 140 mm) (1308)

[R501222](#) (OD = 140 mm) (1312)

[R113425](#) (OD = 143 mm) (1313)

[R120262](#) (OD = 139 mm) (1314)

[R501214](#) (OD = 143 mm) (1315)

[R117011](#) (OD = 113 mm) (1330)

FAN BELT



[T23526](#) (LGTH = 1257 mm) (2401)

[T24473](#) (LGTH = 1295 mm) (2402)

[R73785](#) (LGTH = 1465 mm) (2404)

[R73784](#) (LGTH = 1340 mm) (2410)

[RE55793](#) (LGTH = 1300 mm) (2411)

[T20334](#) (LGTH = 1219 mm) (2413)



JOHN DEERE

Genuine Parts and Service



REMAN PARTS GUIDE

3029DF120 PowerTech 2.9L OEM Engine



ALTERNATOR

[SE501835](#) (REMAN FOR [RE509106](#))
(14V, 65A) (3113, 3123,3143)

[SE501372](#) (REMAN FOR [TY6686](#)) (3116)



CONNECTING ROD

[SE501571](#) (REMAN FOR [RE501674](#)) (4809)



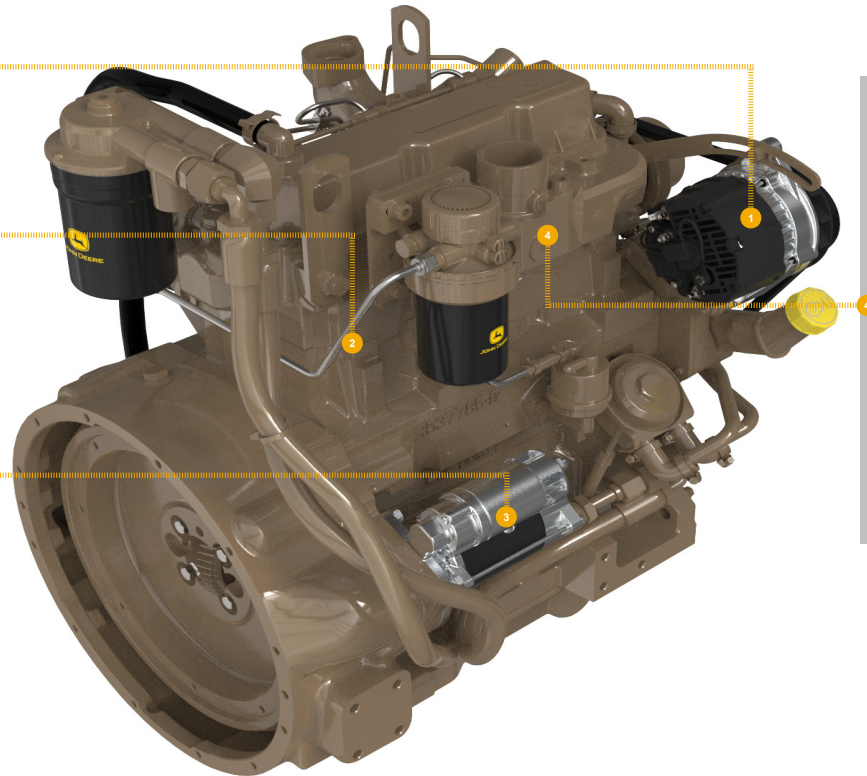
STARTER

[SE501402](#) (REMAN FOR [RE540300](#))
(12V, 7KW) (3001)

[SE501865](#) (REMAN FOR [RE501693](#))
(12V, 2.5KW) (3007)

[SE502632](#) (REMAN FOR [RE523502](#))
(12V, 4.2KW) (3016, 3091)

[SE501869](#) (REMAN FOR [RE519568](#))
(12V, 3.2KW) (3083)



COMPLETE BLOCK ASSEMBLY

[SE501482](#)

May not be as illustrated, Includes cylinder head with valves and rocker arm assembly, oil pump assembly, complete gasket kit with front and rear seals.



[SE501486](#)

With Cylinder Block Option Code 4607 May not be as illustrated, Includes cylinder head with valves and rocker arm assembly, oil pump assembly, complete gasket kit with front and rear seals.



JOHN DEERE
Genuine Parts and Service