



# REPLACEMENT PART GUIDE

## 3029TF160 PowerTech 2.9L OEM Engine

### FAN BELT

- [T23526](#) (LGTH = 1257 mm) (2401)
- [T24473](#) (LGTH = 1295 mm) (2402)
- [R73785](#) (LGTH = 1465 mm) (2404)
- [R73784](#) (LGTH = 1340 mm) (2410) (24AC) (24AD) (24AE)
- [RE55793](#) (LGTH = 1300 mm) (2411)
- [T20334](#) (LGTH = 1219 mm) (2413)
- [R505792](#) (LGTH = 1375 mm) (24BR)
- [R87153](#) (LGTH = 1390 mm) (2416)

### SHORT BLOCK ASSEMBLY

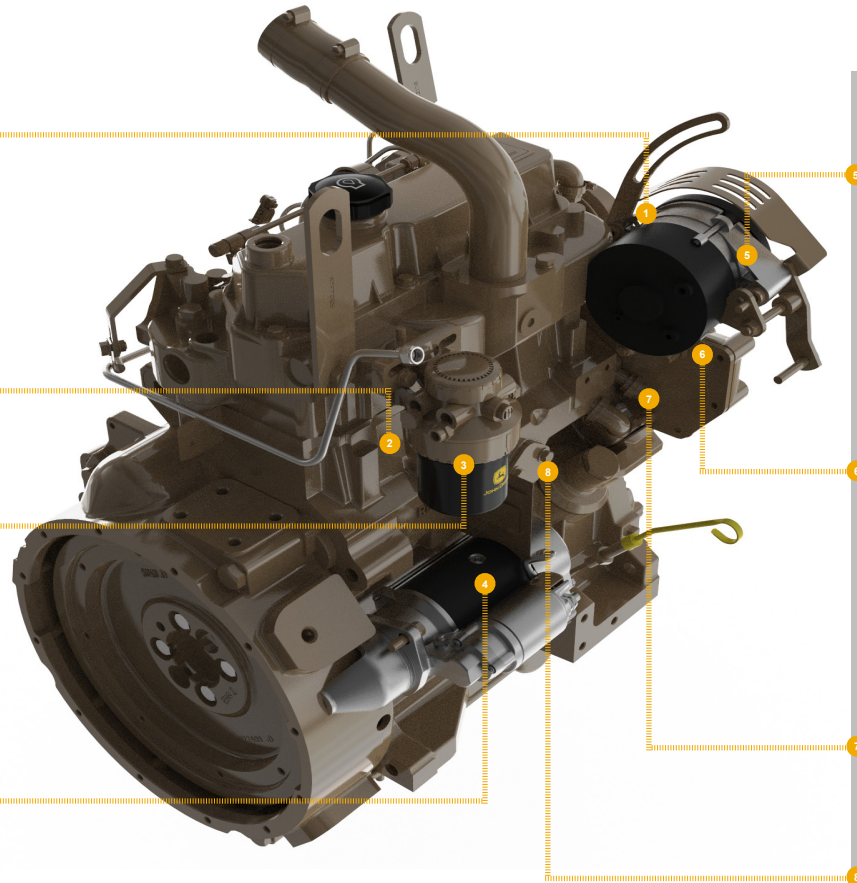
- [RE535720](#) (WITH SIDE MOUNTS) (PISTON PIN DIAMETER = 32 mm) (MARKED R129432)

### FUEL FILTER

- [RE60021](#) (3561) (3575)
- 500 hrs of operation or every 12 months.

### STARTER

- [RE540300](#) (12 V, 7 KW) (3001)
- [RE501693](#) (VALEO), (12 V, 2.5 KW) (3007)
- [DZ110082](#) (ISKRA), (24 V, 4 KW) (3014) (3025)
- [RE528929](#) (ISKRA), (24 V) (3026)
- [DZ110083](#) (24 V, 4 KW) (3066)
- [RE516157](#) (ISKRA, 12 V, 3.2 KW) (3081)
- [RE519568](#) (ISKRA, 12 V, 3.2 KW) (3083)
- [RE523502](#) (ISKRA, 12 V, 4 KW) (3091) (3016)
- [DZ101853](#) (ISKRA, 12 V, 3.2 KW) (3039)
- [DZ110081](#) (ISKRA) (12 V, 3.4 KW) (3008) (3010)



### ALTERNATOR

- [RE558890](#) (14 V) (3113)
- [RE544045](#) (28 V, 50 A) (3117) (3122)
- [RE509106](#) (12 V, 65 A) (ISKRA) (3123) (3143)
- [AL207585](#) (14 V, 55 A) (3126)
- [RE544047](#) (28 V, 50 A) (ISKRA) (3122)

### CRANKSHAFT PULLEY

- [R501223](#) (1308)
- [R501222](#) (11/16" X OD 171 mm) (1312)
- [R113425](#) (11/16" X OD 171 mm), (ALSO ORDER R80727, 19H3131 AND 24M7238) (1313)
- [R120262](#) (OD = 170 mm) (1314)
- [R501214](#) (OD = 170 mm) (1315)
- [R110450](#) (11/16" X OD 171 mm), (ALSO ORDER R80727, 19H3131 AND 24M7238) (1316)
- [R117011](#) (OD = 140 mm) (1330)

### FAN PULLEY

- [R110081](#) (OD = 154 mm) (2308)
- [R76979](#) (OD = 135 mm) (2311)

### OIL FILTER

- [T19044](#) (5914) (5908)
  - [DZ118286](#) (5920)
- 500 hrs of operation or every 12 months.



# REMAN PARTS GUIDE

## 3029TF160 PowerTech 2.9L OEM Engine



### TURBO CHARGER

[SE501634](#) (REMAN FOR [RE70036](#)) (6547)



### CONNECTING ROD

[SE501573](#) (REMAN FOR [RE501675](#)) (4808)

### STARTER

[SE501427](#) (REMAN FOR [AL110597](#) OR [AL78760](#)) (3010)

[SE501851](#) (REMAN FOR [RE507670](#)) (12 V, 3.1 KW) (3008)

[SE501865](#) (REMAN FOR [RE501693](#)) (12 V, 3.2 KW) (3007)

[SE501852](#) (REMAN FOR [RE516157](#)) (12 V, 3.2 KW) (3081)

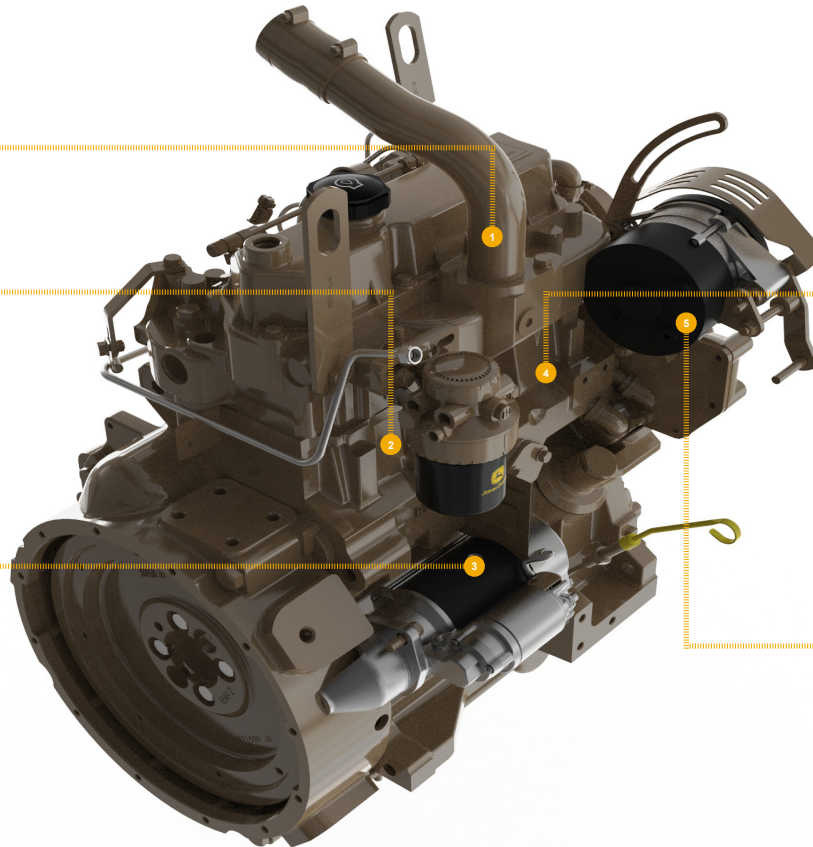
[SE501869](#) (REMAN FOR [RE519568](#)) (3083)

[SE502286](#) (REMAN FOR [RE522738](#)) (3014) (3025)

[SE502632](#) (REMAN FOR [RE523502](#)) (3016) (3091)

[SE501402](#) (REMAN FOR [RE540300](#) OR [TY24438](#)) (3001)

[SE501400](#) (REMAN FOR [RE62916](#) OR [RE50095](#)) (3006)



### COMPLETE BLOCK ASSEMBLY

[SE501485](#)(9901)

With Cylinder Block Option Code 4614 or 4615  
May not be as illustrated, Includes cylinder head with valves and rocker arm assembly, oil pump assembly, complete gasket kit with front and rear seals.

[SE501489](#) (9901)

With Cylinder Block Option Code 4606 or 4610  
May not be as illustrated, Includes cylinder head with valves and rocker arm assembly, oil pump assembly, complete gasket kit with front and rear seals.



### ALTERNATOR

[SE501346](#) (REMAN FOR [AL81436](#)) (3126) (BOSCH, 14 V, 55 A)

[SE501828](#) (REMAN FOR [RE506197](#)) (3106) (3113) (3123) (12 V, 55 A)

[SE501835](#) (REMAN FOR [RE509106](#)) (3143) (ISKRA, 14 V, 65 A)

[SE501372](#) (REMAN FOR [TY6686](#)) (12 V, 78 A) (3115) (3116)



**JOHN DEERE**  
Genuine Parts and Service