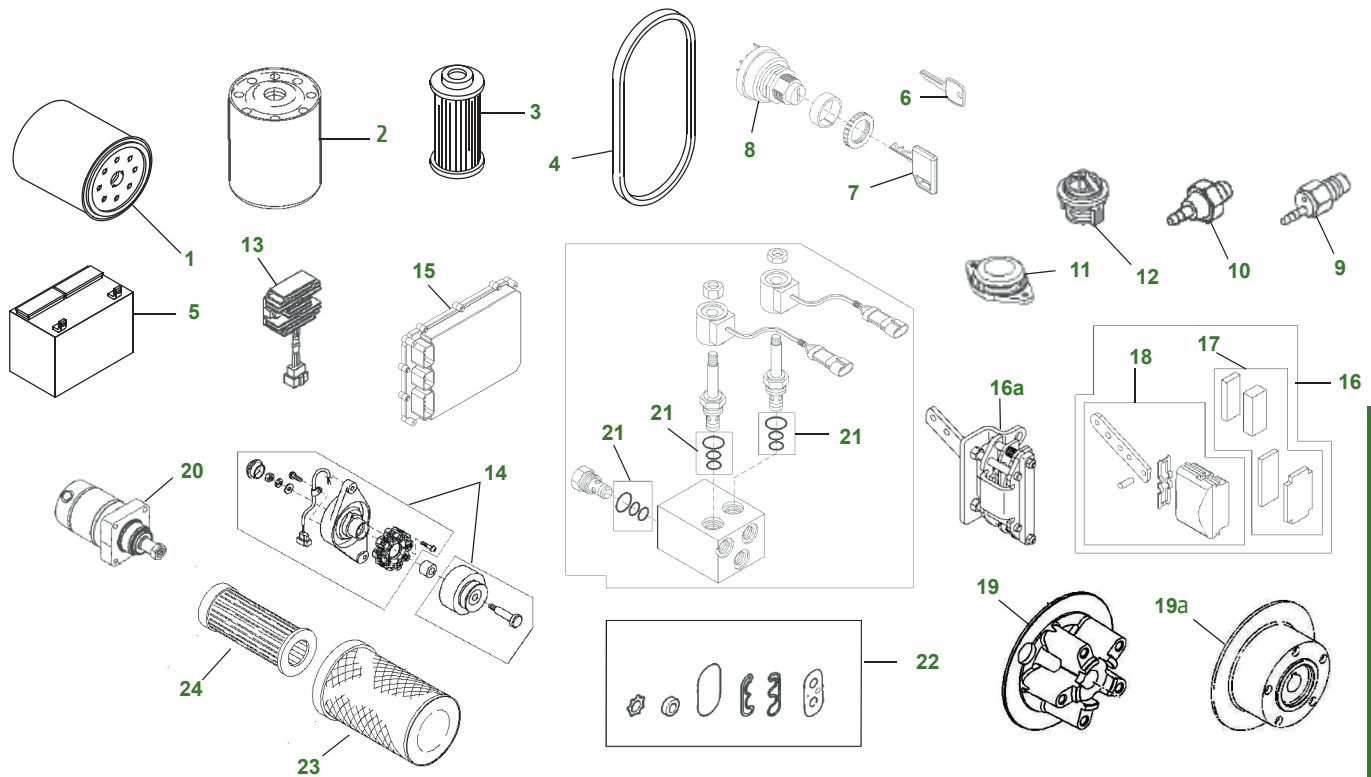


2653B PrecisionCut™ Trim and Surround Mower



Key	Part No.	Description	Key	Part No.	Description
1	M806418ENGINE OIL FILTER	15	TCA16744CONTROL MODULE KIT
2	AM102723HYDRAULIC OIL FILTER	16	AMT495DISK BRAKE CALIPER ASSY (S/N -050000) RH
	LVU14258HYDRAULIC OIL FILTER - SPIN ON		AMT496DISK BRAKE CALIPER ASSY (S/N -050000) LH
3	M801101FUEL FILTER ELEMENT	16a	TCA20251DISK BRAKE CALIPER ASSY (S/N 050001-) RH
4	R81271BELT - FAN (S/N -0201 19)		TCA20250DISK BRAKE CALIPER ASSY (S/N0 50001-) LH
	LVU11659BELT - FAN (S/N 020120-)	17	AMT442KIT - BRAKE PADS (S/N -050000)
5	TY25876BATTERY (DRY)	18	AMT444LEVER BODY KIT - RH (S/N -050000)
6	AR51481KEY		AMT441LEVER BODY KIT - LH (S/N -050000)
7	AUC12681KEY - PADDED	19	TCU28817DISK BRAKE HUB (S/N 050001-)
8	TCA22740IGNITION SWITCH	19a	M122378DISK BRAKE HUB (S/N -050000)
9	CH15516TEMP SWITCH	20	AET11112WHEEL MOTOR - FRONT
10	M809526OIL PRESSURE SWITCH		TCA17053WHEEL MOTOR - REAR
11	AET10449OPERATOR PRESENCE SWITCH		AZ45116GASKET KIT - FRONT/REAR WHEEL MOTOR
12	M811895THERMOSTAT	21	AT224862SEAL KIT - HYDRAULIC SOLENOID
13	AUC12632REGULATOR	22	AMT2679REEL PUMP REPAIR KIT
14	AM879144ALTERNATOR	23	M113621AIR FILTER - PRIMARY
	SE501843ALTERNATOR (REMAN FOR AM879144)	24	M123378AIR FILTER - SECONDARY

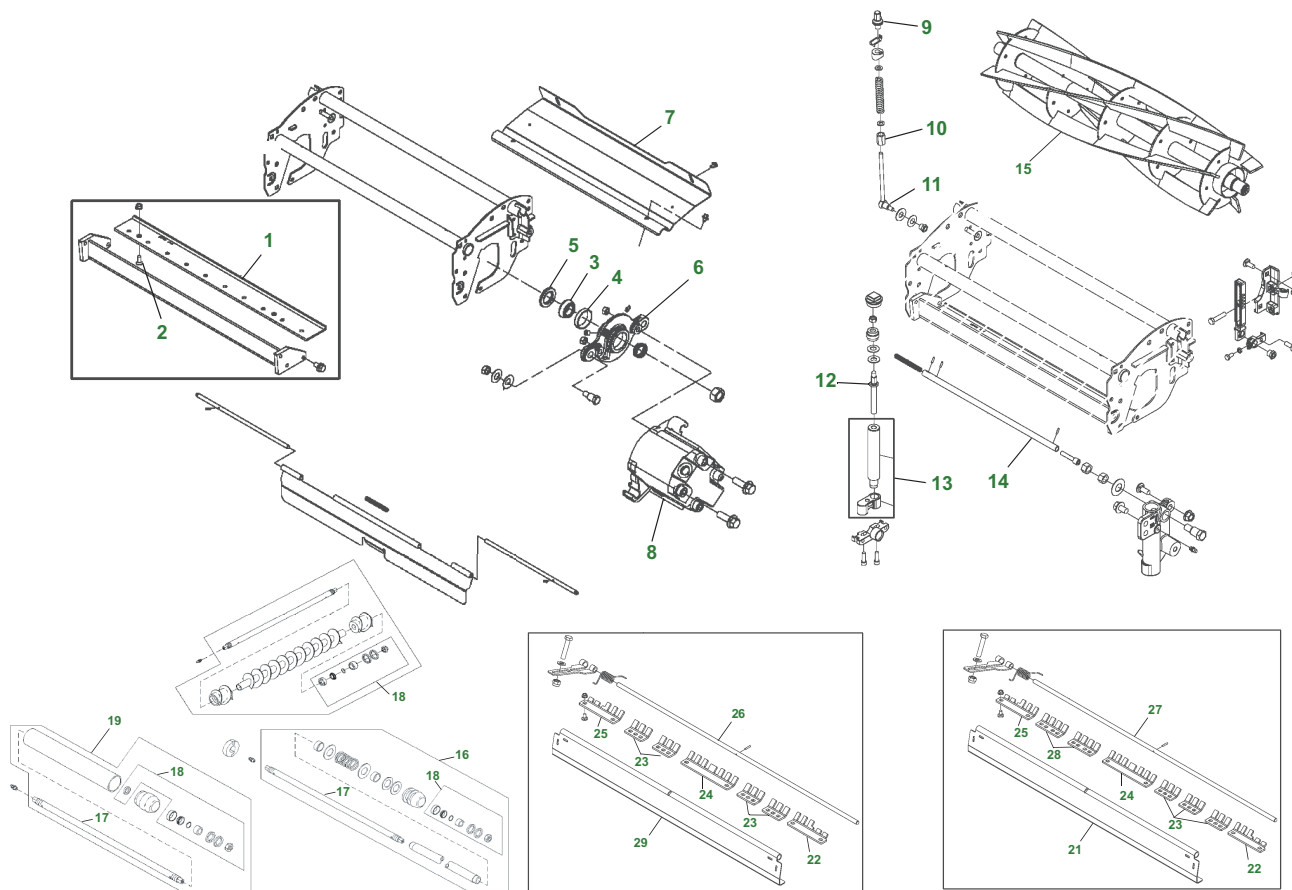
Parts Needed in First 250 hours of Operation

Qty	Part No.	Item	Capacity	Interval In Hours
2	M806418	Engine Oil Filter		250
3	TY26674	Plus-50™ II 15W-40 Engine Oil - 1 qt	2.13 L(2.25 qt)	250
1	AM102723	Hydraulic Oil Filter - Standard		50
1	LVU14258	Hydraulic Oil Filter - High Performance (optional)		50
3	TY25083	John Deere Special Purpose Golf & Turf Cutting Unit Grease (Cutting Unit and Cutting Unit Attachments)		As Needed
3	TY6341	John Deere Multi-Purpose SD Polyurea Grease (Machine components, lift arms and rollers)		As Needed

*Refer to Operators Manual for service intervals if using BioDiesel Fuel and Bio Hy-Gard.

2653B PrecisionCut™ 26 in. & 30 in. QA7 Reels and Bedknives

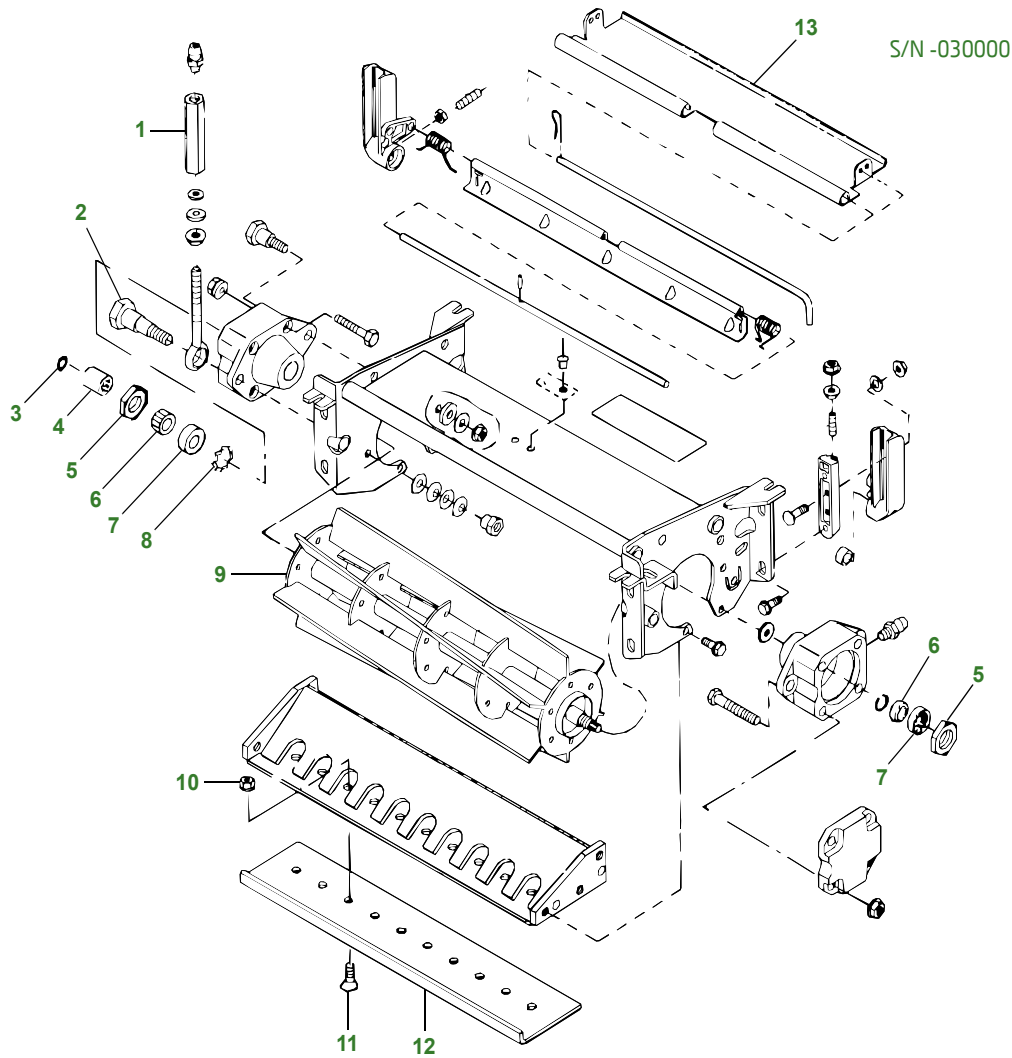
Rough Intermediates and Surrounds



Key	Part No.	Description
1	ET17752	BEDKNIFE - STANDARD - 26 in.
	TCU34070	BEDKNIFE - LESS AGGRESSIVE HARDENED INSERT - 26 in.
	MT6949	BEDKNIFE - TOURNAMENT - 26 in. (STD)
	MT1973	BEDKNIFE - STANDARD - 30 in.
	UC11472	BEDKNIFE - TOURNAMENT - 30 in.
2	19M7573	SCREW - M8 - (12)
3	JD8933	BEARING CONE
4	JD8253	BEARING CUP
5	TCU25266	SEAL
6	UC13937	BEARING HOUSING W/O BEARINGS - LH
	UC13941	BEARING HOUSING W/O BEARINGS - RH
	UC13942	BUSHING
7	TCA19174	SHIELD - 26 in.
	TCA19175	SHIELD - 30 in.
8	TCA22472	CUTTING UNIT MOTOR
	TCA19115	CUTTING UNIT MOTOR SEAL KIT
9	UC16137	ADJUSTER
10	TCU26315	ADJUSTER
11	TCU25317	ADJUSTER
12	TCU26123	ADJUSTER
13	AUC13597	ADJUSTER
14	TCU29056	TUBE - 26 in.
	TCU26741	TUBE - 30 in.
15	TCA19355	REEL - 5-BLADE - 26 in. - USE W/BM22465

Key	Part No.	Description
	TCA19357	REEL - 5-BLADE - 30 in. - USE W/BM22467
	TCA19356	REEL - 8-BLADE - 26 in. - USE W/BM22466
	TCA19358	REEL - 8-BLADE - 30 in. - USE W/BM22468
16	BM25318	ROLLER - GROOVED - 26 in.
	BM25319	ROLLER - GROOVED - 30 in.
17	ET17514	SHAFT - 26 in.
	MT1986	SHAFT - 30 in.
	TCA24909	SHAFT - GANG (808 mm)
18	AET10632	SEAL KIT
19	BM17671	ROLLER - SMOOTH - 26 in.
	BM18439	ROLLER - SMOOTH - 30 in.
20	BM19818	ROLLER - SPIRAL - 26 in.
	BM19818	ROLLER - SPIRAL - 30 in.
	AMT1287	ROLLER - SPIRAL GROOVED END CAPS - 26 in.
	AMT1288	ROLLER - SPIRAL GROOVED END CAPS - 30 in.
	AMT2470	ROLLER - SPIRAL GROOVED END CAPS (GANG - 808 mm)
21	TCU27070	SCRAPER - 30 in.
22	MT5159	SCRAPER
23	MT2342	SCRAPER
24	MT2340	SCRAPER
25	MT5158	SCRAPER
26	ET17758	ROD - 26 in.
27	MT1982	ROD - 30 in.
28	MT2341	SCRAPER (2) - 30 in.
29	TCU27069	SCRAPER - 26 in.

2653B PrecisionCut™ 26 in. & 30 in. ESP Cutting Unit



Rough Intermediates and Surrounds

Key	Part No.	Description	Key	Part No.	Description
1	AMT2965	ADJUSTER	10	14M7396	NUT
2	ET16896	BOLT	11	19M7573	SCREW (10) - (BM18569/BM18570)
3	MT2745	SNAP RING	12	19M7573	SCREW (12) - (BM18436/BM18437)
4	TCA12581	SPLINED COUPLING	13	ET17752	BEDKNIFE - 26 in. STANDARD
5	P48362	LOCK NUT		MT1973	BEDKNIFE - 30 in. STANDARD
6	JD8960	BEARING CONE		MT6949	BEDKNIFE - 26 in. TOURNAMENT
7	JD8239	BEARING CUP		TCU34070	BEDKNIFE - 26 in. HARDENED LESS AGGRESSIVE
8	ET17510	SPRING			
9	AMT2870	REEL - 5-BLADE - 26 in.		AUC12306	DEFLECTOR - 26 in.
	AMT2888	REEL - 5-BLADE - 30 in.		MT1979	DEFLECTOR - 30 in.
	AMT2871	REEL - 8-BLADE - 26 in.			
	AMT2890	REEL - 8-BLADE - 30 in.			