

# SWING MACHINES

2154D/2454D/2954D/3754D



JOHN DEERE



# Welcome to the top of the food chain.

Years in dense woods have evolved some seriously tough traits in the new generation of John Deere D-Series Swing Machines. From the smaller but muscular 2154D to the larger 3754D beast, these machines feature beefy new structures and next-size-up components — all purpose-built to perform. Their powerful swing systems, improved horsepower, and new hydraulic systems promise increased productivity. Even the ride itself can't be beat, from the comfort of secure and roomy rear-entry or raised cabs. As log loaders or shovel loggers, road builders, processor/harvesters, or stroke delimeter carriers, D-Series Swing Machines prove that anything less is really just prey.

- The robust machine design gives you powerful performance, no matter what model or configuration you choose.
- The John Deere PowerTech™ E and PowerTech Plus engines, which meet EPA Tier 3 emissions requirements, boast excellent fuel economy with high torque at low rpms.
- Each D-Series Swing Machine can take on even the toughest of forests, with a tough, next-size-up swing system and heavy-duty upper frames in the 2154D, 2454D, and 2954D, and an auxiliary swing drive for increased swing torque during log loading in the 3754D.

	2154D	2454D	2954D	3754D
Engine	JD6068 PowerTech E Tier 3-compliant engine	JD6068 PowerTech Plus Tier-3 compliant engine	JD6068 PowerTech Plus Tier-3 compliant engine	JD6090H PowerTech Plus Tier 3 compliant engine
Net Peak Power (ISO 9249)	119 kW (159 hp)	145 kW (194 hp)	145 kW (194 hp)	220 kW (296 hp)
Max. Hydraulic Flow	472 L/m (124.6 gpm)	496 L/m (131 gpm)	496 L/m (131 gpm)	608 L/m (160.6 gpm)
Swing Torque	74 606 Nm (54,857 lbf.)	77 140–107 869 Nm (56,896–79,560 lbf.)	111 194 Nm (81,950 lbf.)	111 194–148,574 Nm (81,950–109,500 lbf.)
Drawbar Pull	22 634 kg (49,900 lb.)	25 435 kg (56,075 lb.)	30 812 kg (67,929 lb.)	36 102 kg (79,590 lb.)

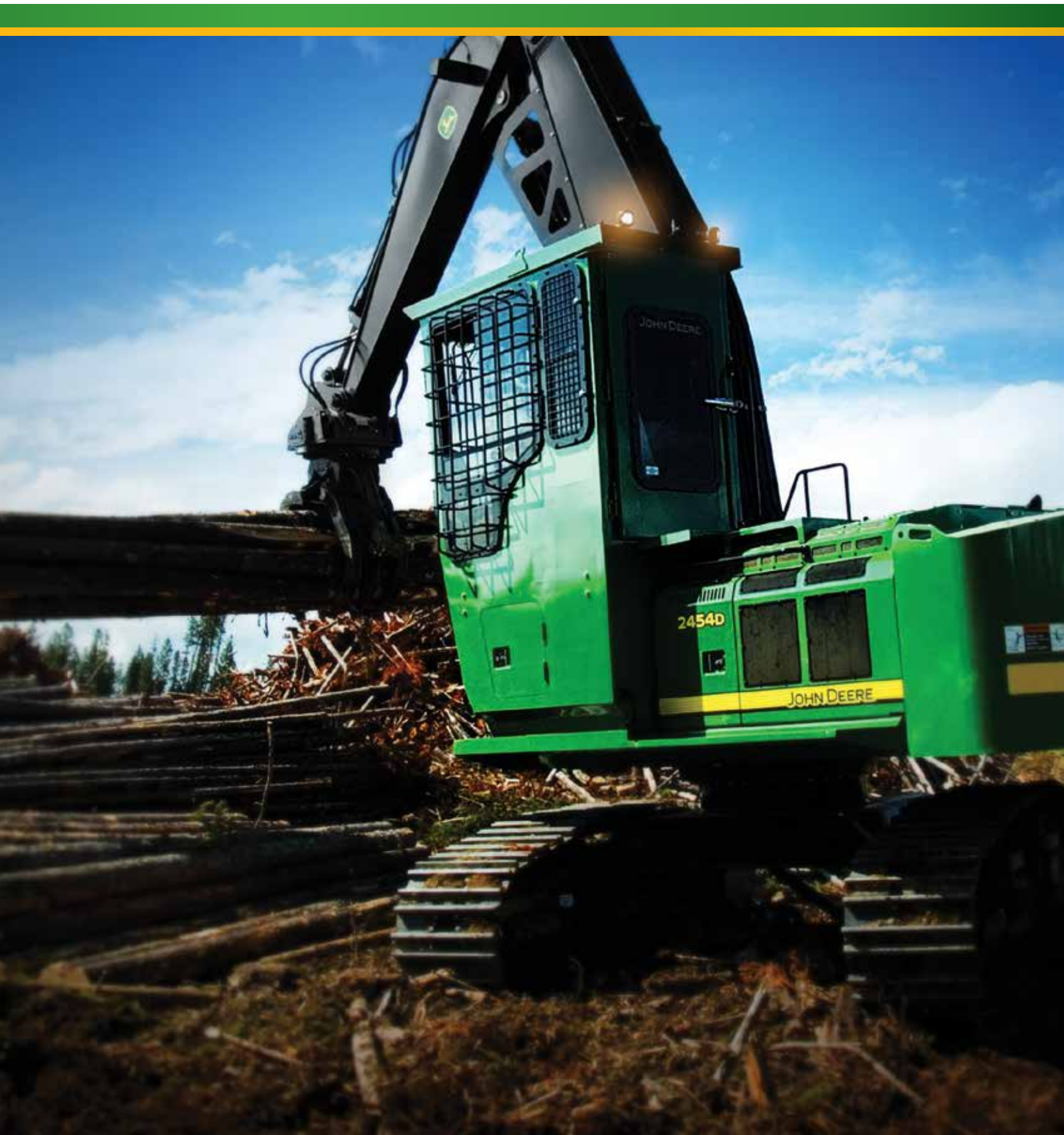


# SWING MACHINES

2154D/2454D/2954D/3754D



JOHN DEERE



# Welcome to the top of the food chain.

Years in dense woods have evolved some seriously tough traits in the new generation of John Deere D-Series Swing Machines. From the smaller but muscular 2154D to the larger 3754D beast, these machines feature beefy new structures and next-size-up components — all purpose-built to perform. Their powerful swing systems, improved horsepower, and new hydraulic systems promise increased productivity. Even the ride itself can't be beat, from the comfort of secure and roomy rear-entry or raised cabs. As log loaders or shovel loggers, road builders, processor/harvesters, or stroke delimeter carriers, D-Series Swing Machines prove that anything less is really just prey.

- The robust machine design gives you powerful performance, no matter what model or configuration you choose.
- The John Deere PowerTech™ E and PowerTech Plus engines, which meet EPA Tier 3 emissions requirements, boast excellent fuel economy with high torque at low rpms.
- Each D-Series Swing Machine can take on even the toughest of forests, with a tough, next-size-up swing system and heavy-duty upper frames in the 2154D, 2454D, and 2954D, and an auxiliary swing drive for increased swing torque during log loading in the 3754D.

	2154D	2454D	2954D	3754D
Engine	JD6068 PowerTech E Tier 3-compliant engine	JD6068 PowerTech Plus Tier-3 compliant engine	JD6068 PowerTech Plus Tier-3 compliant engine	JD6090H PowerTech Plus Tier 3 compliant engine
Net Peak Power (ISO 9249)	119 kW (159 hp)	145 kW (194 hp)	145 kW (194 hp)	220 kW (296 hp)
Max. Hydraulic Flow	472 L/m (124.6 gpm)	496 L/m (131 gpm)	496 L/m (131 gpm)	608 L/m (160.6 gpm)
Swing Torque	74 606 Nm (54,857 lbf.)	77 140–107 869 Nm (56,896–79,560 lbf.)	111 194 Nm (81,950 lbf.)	111 194–148,574 Nm (81,950–109,500 lbf.)
Drawbar Pull	22 634 kg (49,900 lb.)	25 435 kg (56,075 lb.)	30 812 kg (67,929 lb.)	36 102 kg (79,590 lb.)





# A machine as responsive as the company that built it.

The story goes like this: You asked for it and John Deere listened — the new D-Series Swing Machines combine plenty of new features to give you productivity like never before. Swing torque, tractive effort, horsepower, hydraulic flow, and the seamless integration of the attachment and carrier are all worth bragging about. The 2954D boasts 12 more inches of additional reach and a larger arm cylinder that promises additional lifting power, while the 3754D packs a punch with its 296 horsepower. It's these powerful features that make each machine as responsive as the company that made it.

– **Tier 3-certified engines:**

Provide the horsepower required to get the job done while delivering excellent fuel economy regardless of the machine's size and weight.

– **"Smart cooling package":**

Cool-on-demand, variable-speed, hydraulically driven cooling fan reduces fuel consumption and noise.

– **Debris management:**

External screening, sealed cooler compartment, and optional automatic reversing fan help eliminate the downtime associated with cooling system servicing.



– **Robust upper frame:** Strong boom-tower arrangement, thick base plates, after-welding machining in critical areas, and large-diameter swing bearings make these machines extremely durable.

– **Ease of Service:** Remote-mounted engine and hydraulic oil filters and dynamic test ports.

– **Robust Booms and Arms:** New heavy-duty booms and arms are ready to take on all applications, whether it be building roads or processing or handling trees.

– **Durable Undercarriage:** Robust structures, next-size-up components and drive systems, and heavy-duty track chains deliver both productivity and durability.

– **Improved component protection:** Three-piece heavy-duty engine enclosure, new under-house protection system, new hydraulic filter guard and muffler protection, and heavier right rear door all work to keep the machine's valuable components safe from damage.

– **Attachment integration:** Deere is the industry leader, with purpose-built processing fronts and integrated attachments delivered from the factory.



# Productivity in total comfort? We're On It.™

You asked for a well-designed cab so operators could experience both productivity and comfort on the job. We delivered. Even getting in the cab is easy. Depending on the machine's application, the cab comes mounted on either a 178 mm (7-in.) or 1219 mm (48-in.) hydraulically tilting riser. And, all models have optional rear-entry cabs with integrated steps. These new D-Series machines provide the ultimate working conditions while ensuring maximum productivity. You asked for maximum comfort and optimum visibility, and we listened.







– **Forestry cab:** The side-entry cab has integral vertical bars and polycarbonate windows, meeting all safety requirements for forestry applications while maximizing visibility.

– **All-season comfort:** Climate control is available with side-entry cabs, while the rear-entry option comes with increased air-conditioning capacity to ensure operator comfort in the larger roomy cabs.

– **Comfortable suspension seat:** Covered in durable cloth, the seat can be custom-fit to ensure that all levers and pedals are easily accessible to whomever is king of the forest at any given time. The seat also features a reclining back with adjustable armrests and headrest for extra comfort.

– **Optional air-ride heated seat:** An optional deluxe seat offers low-frequency suspension with automatic weight adjustment, 24-volt air suspension, heated seat and back cushions, variable-suspension damper, double-locking roller slide rails, seat-cushion extension and tilt, and Sittab Armflex adjustable armrests. Available with either a lap belt or four-point restraint system for shovel-logging applications — operators can focus on work, without sliding out of their seats.

**1. Visibility:** To complement great forward visibility, sight lines have been verified using 3-D modeling to maximize worksite visibility.

**2. Strategically placed controls:** Joystick controls and accessory switches are within easy reach for your operator's convenience and safety.

**3. Rear-entry cab:** This option offers external guards combined with polycarbonate or glass windows to ensure operator safety. These cabs are much larger for added comfort and storage, and they provide improved access whether you're coming or going.



It's one machine that  
won't let you down.

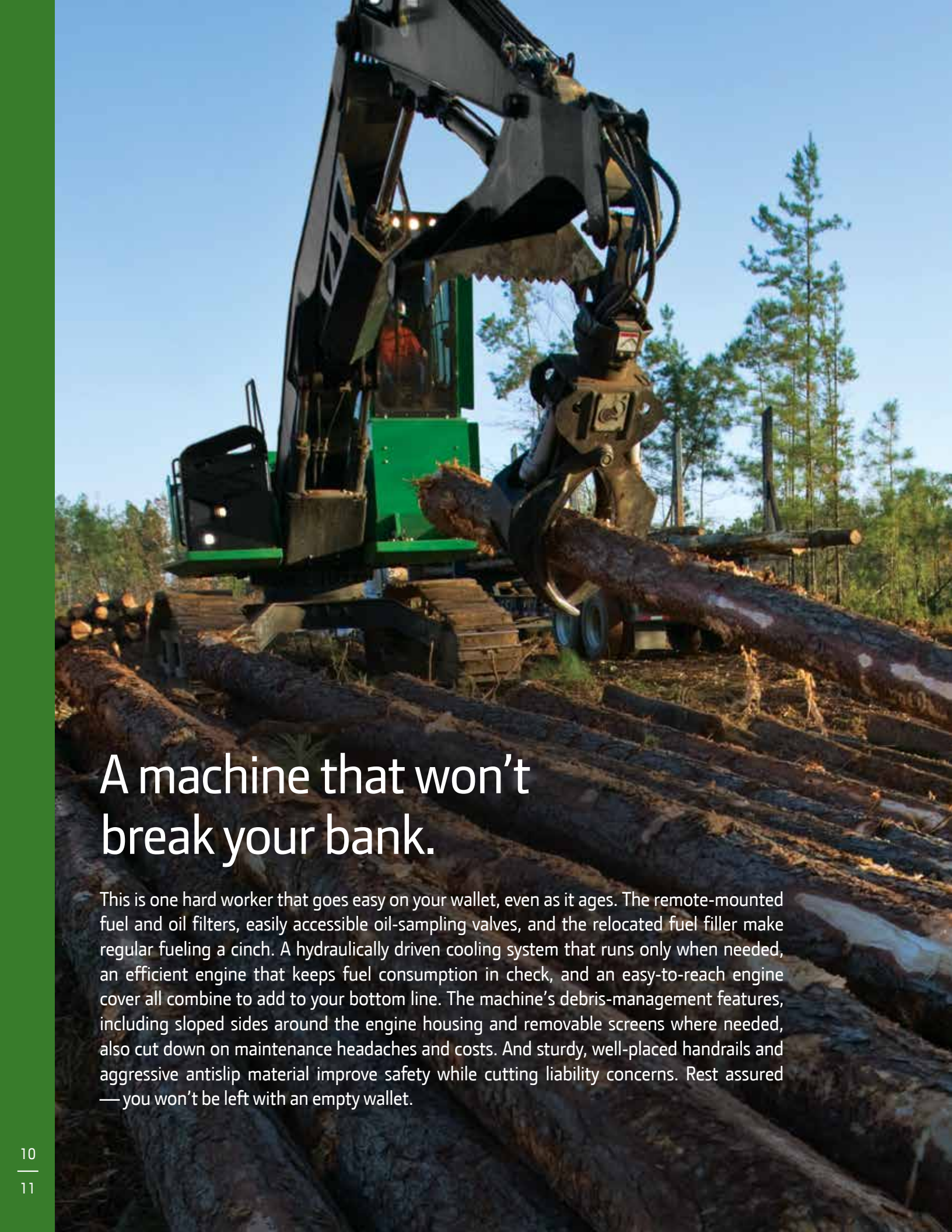
These new D-Series machines were bred for improved durability. Purpose-built to stand up to harsh forest environments, each durable D-Series model features a sturdy steel frame, heavy-duty track chain, a swing system sized with larger bearings for extended life (2154D, 2454D and 2954D), and external debris management features that maximize uptime. The hydraulic, cool-on-demand fan with a reversing option keeps the machine producing. And the standard 1050 Liter (277-gallon) fuel tank allows for extended run times between fill ups. Even the huge 3754D runs for an impressive 35–45 hours between fuel fills.



- 1. Boom, arm, and frame:** The boom foot area has been strengthened and is now machined after all welding is complete. This, along with the addition of turned and ground pins and new boom and arm designs, keeps the D-Series running and eliminates unnecessary downtime.
- 2. “Smart cooling package”:** The hydraulically driven on-demand fan runs only when needed, maximizing the use of available horsepower and reducing fuel

- consumption and noise. The reversing fan option eliminates the downtime usually needed for cooling-package maintenance.
- 3. Debris-management system:** Integrated in the left side guarding, this smart system keeps materials and debris from entering the cooling-package area to enhance your total productivity.
- **Improved component protection:** This peace-of-mind package includes guards

- to protect the hydraulic oil filler cap and exhaust stack; a heavier pump door with support; sealed under-decking panels; and a tough three-piece, purpose-built engine enclosure.
- **Resilient design features:** The newly designed log loader fronts, purpose-built processor fronts, and heavy-duty excavator fronts allow the machines to keep running in the toughest applications.



## A machine that won't break your bank.

This is one hard worker that goes easy on your wallet, even as it ages. The remote-mounted fuel and oil filters, easily accessible oil-sampling valves, and the relocated fuel filler make regular fueling a cinch. A hydraulically driven cooling system that runs only when needed, an efficient engine that keeps fuel consumption in check, and an easy-to-reach engine cover all combine to add to your bottom line. The machine's debris-management features, including sloped sides around the engine housing and removable screens where needed, also cut down on maintenance headaches and costs. And sturdy, well-placed handrails and aggressive antislip material improve safety while cutting liability concerns. Rest assured — you won't be left with an empty wallet.



**1. Remote-mounted oil filters:**

Newly designed with accessibility in mind, the oil filters can be changed quickly and easily to improve productivity through effortless regular maintenance.

**2. Fuel economy:** Designed for optimal fuel economy, the John Deere PowerTech engine provides hearty performance with manageable fuel costs.

**3. Fuel filler:** Newly relocated forward and outboard, and accessed via strategically located handholds, the fuel filler enables for faster and easier fueling.

**4. Debris management:** Perforations in the hood and left rear door serve as a “first filter,” preventing trash entry. Anything that passes through will also need to clear the cooler cores.

– **On-demand fan with reversing option:** By kicking in only when necessary, this hydraulically driven fan reduces fuel consumption and noise. The reversing-fan option improves uptime by keeping your robust cooling system clean.

– **Auxiliary oil cooler:** Standard on factory-installed processor hydraulics and optional on all other configurations, this feature complements the main cooling system and is recommended for high-duty cycle applications.

– **Oil-sampling valves:** These strategically placed dynamic fluid-sampling valves make preventive maintenance easy.

# Your choice: Purpose-built configurations within the D-Series family.



Whatever the task at hand — from building roads to shoveling logs to harvesting and processing — each D-Series Swing Machine rises to the occasion powerfully and efficiently. Purpose-built to be the toughest in the woods, the D-Series is available as a road builder, harvester/processor, live-heel log loader, butt-&-top log loader, or stroke delimeter. Take a closer look at key configurations designed for your specific application.



Swing Machine	2154D		2454D		2954D		3754D
Harvester/Processor	•		•		•		
Choose your Waratah attachment	H270 H290	H480 HTH470-HD	HTH616 HTH622B	HTH616 HTH623C	HTH622B HTH623C	HTH624C HTH623C	
Road Builder	•		•		•		•
Log Loader							
Fixed Heel	•						
Live Heel	•		•		•		•
Power Clam	•		•		•		•
Butt-&-Top	•		•		•		•
Delimber Carrier	•		•				

# Powerful Combination.

Nothing beats a D-Series processor. It's the perfect carrier and head combination package for your harvesting applications, be it roadside processing or in-the-woods harvesting. With a hydraulic system that provides superior levels of hydraulic power coupled to a factory-installed, industry leading Waratah head, the D-Series processors deliver unmatched performance, productivity, and uptime. Clean hose routing, advanced cooling packages, increased protection, and even strategic positioning of the Automation system components allow the D-Series processors to provide our customers with a superior design for ultimate operator performance and the highest customer satisfaction levels.







- D-Series Processors for the 2154D, 2454D, and 2954D are factory engineered and integrated with Waratah heads — a harvesting package that's tough to beat.
- Waratah attachments are known for their durability, reliability, and precision — all attributes that optimize your harvesting productivity and uptime.
- The John Deere processor package has gone through no-holds-barred testing to ensure compatibility and reliability in even the most challenging environments.
- The machine's hydraulic system is designed to provide maximum hydraulic performance to the attachment, resulting in improved functioning performance and increased speed.

# 2154D



Engine	2154D Road Builder	2154D Processor	2154D Live / Fixed Heel	2154D Butt & Top	2154D Power Clam
Manufacturer and Model	John Deere 6068H				
Non-Road Emission Standards	EPA Tier 3/EU Stage IIIA				
Cylinders	6				
Engine Displacement	6.8 L (414 cu. in.)				
Net Peak Power (ISO 9249)	119 kW (159 hp)				
Aspiration	Turbocharged, air-to-air charge air cooler				
<b>Cooling</b>					
Fan Drive	Cool-on-demand hydraulic-driven, suction-type, remote-mounted drive				
Engine Coolant Rating	-37 deg. C (-34 deg. F)				
<b>Powertrain</b>					
2-speed propel with automatic shift					
Maximum Travel Speed					
Low	3.2 km/h (2.0 mph)				
High	5.1 km/h (3.2 mph)				
Controls	Pilot levers, short stroke, low effort; hydraulic pilot with shutoff lever				
<b>Hydraulics</b>					
Open center, load sensing					
Main Pump					
Maximum Rated Flow x 2	236 L/m (62.3 gpm)				
Pilot Pump (one gear)					
Maximum Rated Flow	35 L/m (9.2 gpm)				
Pressure Setting	3999 kPa (580 psi)				
Maximum Secondary Pump Flow	35 L/m (9.2 gpm)				
System Operating Pressure					
Implement Circuits	34 336 kPa (4,980 psi)				
Travel Circuits	34 336 kPa (4,980 psi)				
Swing Circuits	34 336 kPa (4,980 psi)				
Power Boost	36 335 kPa (5,270 psi)				
Auxiliary Hydraulic Flow	Adjustable through monitor				
<b>Cylinders</b>					
Heat-treated, chrome-plated, polished cylinder rods; hardened steel (replaceable bushings) pivot pins					
Boom (2)					
Bore	120 mm (4.72 in.)	120 mm (4.72 in.)	135 mm (5.32 in.)	135 mm (5.32 in.)	135 mm (5.32 in.)
Rod Diameter	85 mm (3.35 in.)	85 mm (3.35 in.)	95 mm (3.74 in.)	95 mm (3.74 in.)	95 mm (3.74 in.)
Stroke	1260 mm (49.61 in.)	1260 mm (49.61 in.)	1160 mm (45.67 in.)	1160 mm (45.67 in.)	1160 mm (45.67 in.)
Arm (1)					
Bore	135 mm (5.31 in.)	135 mm (5.31 in.)	145 mm (5.71 in.)	145 mm (5.71 in.)	145 mm (5.71 in.)
Rod Diameter	95 mm (3.74 in.)	95 mm (3.74 in.)	100 mm (3.94 in.)	100 mm (3.94 in.)	100 mm (3.94 in.)
Stroke	1475 mm (58.07 in.)	1475 mm (58.07 in.)	1555 mm (61.22 in.)	1555 mm (61.22 in.)	1555 mm (61.22 in.)
Bucket (1)					
Bore	115 mm (4.53 in.)	N/A	N/A	N/A	N/A
Rod Diameter	80 mm (3.15 in.)	N/A	N/A	N/A	N/A
Stroke	1060 mm (41.73 in.)	N/A	N/A	N/A	N/A
Heel (1)					
Bore	N/A	N/A	115 mm (4.53 in.) / N/A	N/A	N/A
Rod Diameter	N/A	N/A	80 mm (3.15 in.) / N/A	N/A	N/A
Stroke	N/A	N/A	1060 mm (41.73 in.) / N/A	N/A	N/A
Tilt (1)					
Bore	N/A	N/A	N/A	115 mm (4.53 in.)	115 mm (4.53 in.)
Rod Diameter	N/A	N/A	N/A	80 mm (3.15 in.)	80 mm (3.15 in.)
Stroke	N/A	N/A	N/A	1060 mm (41.73 in.)	1060 mm (41.73 in.)

Specifications are subject to change without notice.



Electrical	2154D Road Builder	2154D Processor	2154D Live / Fixed Heel	2154D Butt & Top	2154D Power Clam
Voltage	24 volt				
Batteries	2 x 12 volt				
Reserve Capacity	440 min.				
Alternator Rating	80 amp				
Undercarriage					
Carrier Rollers (per side)	2				
Track Rollers (per side)	8				
Shoes (per side)	48				
Drawbar Pull	22 634 kg (49,900 lb.)				
Track Adjustment	Hydraulic				
Track Guides	Center				
Upperstructure					
Counterweight, Standard	4001 kg (8,821 lb.)	4001 kg (8,821 lb.)	5175 kg (11,408 lb.)	5175 kg (11,408 lb.)	5175 kg (11,408 lb.)
Swing Mechanism					
Swing Speed	12.6 rpm				
Swing Torque	74 606 Nm (54,857 lb.-ft.)				
Ground Pressure					
700-mm (28 in.) Double-Grouser Shoes	54.0 kPa (7.77 psi)	49.0 kPa (7.16 psi)	54.0 kPa (7.77 psi) / 52.0 kPa (7.61 psi)	54.0 kPa (7.89 psi)	54.0 kPa (7.89 psi)
Refill Capacities					
Fuel Tank	1049.0 L (277.0 gal.)	1049.0 L (277.0 gal.)	1049.0 L (277.0 gal.)	1049.0 L (277.0 gal.)	1049.0 L (277.0 gal.)
Cooling System	26.0 L (6.9 gal.)	26.0 L (6.9 gal.)	26.0 L (6.9 gal.)	26.0 L (6.9 gal.)	26.0 L (6.9 gal.)
Engine Oil with Filter	23.0 L (6.0 gal.)	23.0 L (6.0 gal.)	23.0 L (6.0 gal.)	23.0 L (6.0 gal.)	23.0 L (6.0 gal.)
Hydraulic Tank	136.0 L (36.0 gal.)	136.0 L (36.0 gal.)	136.0 L (36.0 gal.)	136.0 L (36.0 gal.)	136.0 L (36.0 gal.)
Hydraulic System	257.0 L (68.0 gal.)	244.0 L (64.5 gal.)	257.0 L (68.0 gal.) / 248.0 L (65.5 gal.)	257.0 L (68.0 gal.)	257.0 L (68.0 gal.)
Propel Gearbox (each)	7.0 L (7.5 qt.)	7.0 L (7.5 qt.)	7.0 L (7.5 qt.)	7.0 L (7.5 qt.)	7.0 L (7.5 qt.)
Swing Gearbox	9.1 L (9.6 qt.)	9.1 L (9.6 qt.)	9.1 L (9.6 qt.)	9.1 L (9.6 qt.)	9.1 L (9.6 qt.)
Pump Drive Gearbox	1.0 L (1.1 qt.)	1.0 L (1.1 qt.)	1.0 L (1.1 qt.)	1.0 L (1.1 qt.)	1.0 L (1.1 qt.)
Operating Weights					
With 840-kg (1,818 lb.) full fuel tank, 79-kg (175 lb.) operator, and 700-mm (28 in.) double-grouser shoes					
	4000-kg (8,818 lb.) counterweight; 2.91-m (9 ft. 7 in.) arm; and 830-kg (1,830 lb.) bucket	4000-kg (8,818 lb.) counterweight and 2120-kg (4,673 lb.) processor head	5203-kg (11,490 lb.) counterweight and 816-kg (1,800 lb.) grapple (live) / 703-kg (1,550 lb.) grapple (fixed)	5203-kg (11,490 lb.) counterweight and 1996-kg (4,400 lb.) grapple	5203-kg (11,490 lb.) counterweight and 1996-kg (4,400 lb.) grapple
SAE Operating Weight	26 660 kg (58,775 lb.)	27 864 kg (61,430 lb.)	30 250 kg (66,690 lb.) / 29 638 kg (65,342 lb.)	30 733 kg (67,755 lb.)	30 733 kg (67,755 lb.)

**Lift Capacity — 2154D Road Builder with 2.91-m (9 ft. 7 in.) arm, 830-kg (1,830 lb.) bucket, and 700-mm (28 in.) shoes**

Load Point Height	1.5 m (5 ft.)		3.1 m (10 ft.)		4.6 m (15 ft.)		6.1 m (20 ft.)		7.6 m (25 ft.)	
	Over front	Over side	Over front	Over side	Over front	Over side	Over front	Over side	Over front	Over side
6.1 m (20 ft.)							<b>3651 kg</b> (8,048 lb.)	<b>3651 kg</b> (8,048 lb.)		
4.6 m (15 ft.)							<b>4069 kg</b> (8,970 lb.)	<b>4069 kg</b> (8,970 lb.)	<b>3889 kg</b> (8,574 lb.)	3306 kg (7,288 lb.)
3.1 m (10 ft.)					<b>6281 kg</b> (13,847 lb.)	<b>6281 kg</b> (13,847 lb.)	<b>4879 kg</b> (10,757 lb.)	4636 kg (10,221 lb.)	<b>4232 kg</b> (9,329 lb.)	3199 kg (7,052 lb.)
1.5 m (5 ft.)					<b>8214 kg</b> (18,108 lb.)	6713 kg (14,799 lb.)	<b>5791 kg</b> (12,766 lb.)	4366 kg (9,625 lb.)	<b>4676 kg</b> (10,309 lb.)	3067 kg (6,762 lb.)
Ground Line					<b>9212 kg</b> (20,308 lb.)	6386 kg (14,079 lb.)	<b>6463 kg</b> (14,248 lb.)	4163 kg (9,178 lb.)	4805 kg (10,593 lb.)	2957 kg (6,519 lb.)
-1.5 m (-5 ft.)			<b>6543 kg</b> (14,425 lb.)	<b>6543 kg</b> (14,425 lb.)	<b>9259 kg</b> (20,412 lb.)	6297 kg (13,883 lb.)	<b>6691 kg</b> (14,751 lb.)	4064 kg (8,960 lb.)	4742 kg (10,455 lb.)	2900 kg (6,393 lb.)
-3.1 m (-10 ft.)			<b>10 859 kg</b> (23,940 lb.)	<b>10 859 kg</b> (23,940 lb.)	<b>8605 kg</b> (18,971 lb.)	6340 kg (13,978 lb.)	<b>6363 kg</b> (14,028 lb.)	4067 kg (8,966 lb.)	<b>4679 kg</b> (10,316 lb.)	2926 kg (6,451 lb.)
-4.6 m (-15 ft.)			<b>9500 kg</b> (20,943 lb.)	<b>9500 kg</b> (20,943 lb.)	<b>7089 kg</b> (15,628 lb.)	6502 kg (14,334 lb.)	<b>5102 kg</b> (11,249 lb.)	4193 kg (9,244 lb.)		

**Lift Capacity — 2154D Processor with processor arm, 2177-kg (4,800 lb.) attachment, and 700-mm (28 in.) shoes**

Load Point Height	1.5 m (5 ft.)		3.1 m (10 ft.)		4.6 m (15 ft.)		6.1 m (20 ft.)		7.6 m (25 ft.)	
	Over front	Over side	Over front	Over side	Over front	Over side	Over front	Over side	Over front	Over side
9.2 m (30 ft.)					<b>3221 kg</b> (7,100 lb.)	<b>3221 kg</b> (7,100 lb.)				
7.6 m (25 ft.)							<b>2948 kg</b> (6,500 lb.)	<b>2948 kg</b> (6,500 lb.)		
6.1 m (20 ft.)					<b>3175 kg</b> (7,000 lb.)	<b>3175 kg</b> (7,000 lb.)	<b>3084 kg</b> (6,800 lb.)	<b>3084 kg</b> (6,800 lb.)	<b>2223 kg</b> (4,900 lb.)	<b>2223 kg</b> (4,900 lb.)
4.6 m (15 ft.)			<b>6078 kg</b> (13,400 lb.)	<b>6078 kg</b> (13,400 lb.)	<b>4445 kg</b> (9,800 lb.)	<b>4445 kg</b> (9,800 lb.)	<b>3629 kg</b> (8,000 lb.)	<b>3629 kg</b> (8,000 lb.)	<b>3221 kg</b> (7,100 lb.)	<b>3221 kg</b> (7,100 lb.)
3.1 m (10 ft.)			<b>11 068 kg</b> (24,400 lb.)	<b>11 068 kg</b> (24,400 lb.)	<b>6260 kg</b> (13,800 lb.)	<b>6260 kg</b> (13,800 lb.)	<b>4491 kg</b> (9,900 lb.)	<b>4491 kg</b> (9,900 lb.)	<b>3583 kg</b> (7,900 lb.)	<b>3357 kg</b> (7,400 lb.)
1.5 m (5 ft.)			<b>14 334 kg</b> (31,600 lb.)	<b>14 334 kg</b> (31,600 lb.)	<b>7847 kg</b> (17,300 lb.)	<b>7847 kg</b> (17,300 lb.)	<b>5307 kg</b> (11,700 lb.)	4944 kg (10,900 lb.)	<b>3992 kg</b> (8,800 lb.)	3221 kg (7,100 lb.)

**Attachment weight is included when calculating the lift capacities.**

**Boldface** type indicates hydraulic-limited capacities with power boost; **lightface** type indicates stability-limited capacities. Figures do not exceed 87 percent of hydraulic capacities or 75 percent of weight needed to tip machine.

**Lift Capacity — 2154D Live Heel with 816-kg (1,800 lb.) grapple and 700-mm (28 in.) shoes**

Load Point Height	4.6 m (15 ft.)		6.1 m (20 ft.)		7.6 m (25 ft.)		9.1 m (30 ft.)		10.7 m (35 ft.)	
	Over front	Over side	Over front	Over side	Over front	Over side	Over front	Over side	Over front	Over side
10.7 m (35 ft.)	<b>8260 kg</b> (18,210 lb.)	<b>8260 kg</b> (18,210 lb.)	<b>7362 kg</b> (16,230 lb.)	7135 kg (15,730 lb.)						
9.1 m (30 ft.)			<b>6486 kg</b> (14,300 lb.)	<b>6486 kg</b> (14,300 lb.)	<b>5924 kg</b> (13,060 lb.)	4867 kg (10,730 lb.)				
7.6 m (25 ft.)			<b>6355 kg</b> (14,010 lb.)	<b>6355 kg</b> (14,010 lb.)	<b>5684 kg</b> (12,530 lb.)	5103 kg (11,250 lb.)	4885 kg (10,770 lb.)	3642 kg (8,030 lb.)		
6.1 m (20 ft.)			<b>6641 kg</b> (14,640 lb.)	<b>6641 kg</b> (14,640 lb.)	<b>5783 kg</b> (12,750 lb.)	5144 kg (11,340 lb.)	4912 kg (10,830 lb.)	3665 kg (8,080 lb.)		
4.6 m (15 ft.)	<b>7616 kg</b> (16,790 lb.)	<b>7616 kg</b> (16,790 lb.)	<b>7262 kg</b> (16,010 lb.)	<b>7262 kg</b> (16,010 lb.)	<b>6078 kg</b> (13,400 lb.)	5067 kg (11,170 lb.)	4740 kg (10,450 lb.)	3502 kg (7,720 lb.)	3543 kg (7,810 lb.)	2554 kg (5,630 lb.)
3.1 m (10 ft.)	<b>9816 kg</b> (21,640 lb.)	<b>9816 kg</b> (21,640 lb.)	<b>8051 kg</b> (17,750 lb.)	7362 kg (16,230 lb.)	<b>6423 kg</b> (14,160 lb.)	4926 kg (10,860 lb.)	4731 kg (10,430 lb.)	3497 kg (7,710 lb.)	3529 kg (7,780 lb.)	2545 kg (5,610 lb.)

**Lift Capacity — 2154D Fixed Heel with 703-kg (1,550 lb.) grapple and 700-mm (28 in.) shoes**

Load Point Height	4.6 m (15 ft.)		6.1 m (20 ft.)		7.6 m (25 ft.)		9.1 m (30 ft.)		9.9 m (33.8 ft.)	
	Over front	Over side	Over front	Over side	Over front	Over side	Over front	Over side	Over front	Over side
10.7 m (35 ft.)	<b>7602 kg</b> (16,760 lb.)	<b>7602 kg</b> (16,760 lb.)								
9.1 m (30 ft.)			<b>7013 kg</b> (15,460 lb.)	<b>7013 kg</b> (15,460 lb.)						
7.6 m (25 ft.)			<b>6763 kg</b> (14,910 lb.)	<b>6763 kg</b> (14,910 lb.)	<b>6128 kg</b> (13,510 lb.)	5039 kg (11,110 lb.)				
6.1 m (20 ft.)			<b>6963 kg</b> (15,350 lb.)	<b>6963 kg</b> (15,350 lb.)	<b>6155 kg</b> (13,570 lb.)	5012 kg (11,050 lb.)	5049 kg (11,130 lb.)	3524 kg (7,770 lb.)		
4.6 m (15 ft.)	<b>9086 kg</b> (20,030 lb.)	<b>9086 kg</b> (20,030 lb.)	<b>7525 kg</b> (16,590 lb.)	7226 kg (15,930 lb.)	<b>6391 kg</b> (14,090 lb.)	4894 kg (10,790 lb.)	5008 kg (11,040 lb.)	3484 kg (7,680 lb.)		
3.1 m (10 ft.)	<b>10 791 kg</b> (23,790 lb.)	<b>10 791 kg</b> (23,790 lb.)	<b>8274 kg</b> (18,240 lb.)	6877 kg (15,160 lb.)	<b>6700 kg</b> (14,770 lb.)	4713 kg (10,390 lb.)	4917 kg (10,840 lb.)	3402 kg (7,500 lb.)		
1.5 m (5 ft.)	<b>12 261 kg</b> (27,030 lb.)	10 301 kg (22,710 lb.)	<b>8886 kg</b> (19,590 lb.)	6500 kg (14,330 lb.)	6518 kg (14,370 lb.)	4518 kg (9,960 lb.)	4813 kg (10,610 lb.)	3302 kg (7,280 lb.)	3928 kg (8,660 lb.)	2658 kg (5,860 lb.)
Ground Line	<b>12 592 kg</b> (27,760 lb.)	9702 kg (21,390 lb.)	<b>8977 kg</b> (19,790 lb.)	6192 kg (13,650 lb.)	6341 kg (13,980 lb.)	4355 kg (9,600 lb.)	4731 kg (10,430 lb.)	3225 kg (7,110 lb.)		

**Attachment weight is included when calculating the lift capacities.**

**Boldface** type indicates hydraulic-limited capacities with power boost; **lightface** type indicates stability-limited capacities. Figures do not exceed 87 percent of hydraulic capacities or 75 percent of weight needed to tip machine.

**Lift Capacity — 2154D Butt & Top with 1996-kg (4,400 lb.) grapple and 700-mm (28 in.) shoes**

Load Point Height	3.1 m (10 ft.)		4.6 m (15 ft.)		6.1 m (20 ft.)		7.6 m (25 ft.)		9.1 m (30 ft.)	
	Over front	Over side	Over front	Over side	Over front	Over side	Over front	Over side	Over front	Over side
10.7 m (35 ft.)			<b>9008 kg</b> (19,860 lb.)	<b>9008 kg</b> (19,860 lb.)						
9.1 m (30 ft.)			<b>7620 kg</b> (16,800 lb.)	<b>7620 kg</b> (16,800 lb.)	<b>6595 kg</b> (14,540 lb.)	<b>6595 kg</b> (14,540 lb.)				
7.6 m (25 ft.)			<b>7285 kg</b> (16,060 lb.)	<b>7285 kg</b> (16,060 lb.)	<b>6278 kg</b> (13,840 lb.)	<b>6278 kg</b> (13,840 lb.)	<b>5520 kg</b> (12,170 lb.)	<b>4527 kg</b> (9,980 lb.)		
6.1 m (20 ft.)			<b>7711 kg</b> (17,000 lb.)	<b>7711 kg</b> (17,000 lb.)	<b>6459 kg</b> (14,240 lb.)	<b>6459 kg</b> (14,240 lb.)	<b>5498 kg</b> (12,120 lb.)	<b>4531 kg</b> (9,990 lb.)		
4.6 m (15 ft.)			<b>8886 kg</b> (19,590 lb.)	<b>8886 kg</b> (19,590 lb.)	<b>6990 kg</b> (15,410 lb.)	<b>6881 kg</b> (15,170 lb.)	<b>5693 kg</b> (12,550 lb.)	<b>4427 kg</b> (9,760 lb.)	<b>4173 kg</b> (9,200 lb.)	<b>2944 kg</b> (6,490 lb.)
3.1 m (10 ft.)					<b>7666 kg</b> (16,900 lb.)	<b>6559 kg</b> (14,460 lb.)	<b>5897 kg</b> (13,000 lb.)	<b>4268 kg</b> (9,410 lb.)	<b>4105 kg</b> (9,050 lb.)	<b>2880 kg</b> (6,350 lb.)

**Lift Capacity — 2154D Power Clam with 1996-kg (4,400 lb.) grapple and 700-mm (28 in.) shoes**

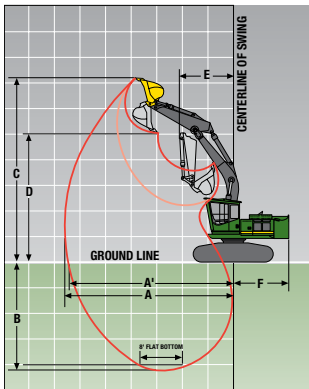
Load Point Height	3.1 m (10 ft.)		4.6 m (15 ft.)		6.1 m (20 ft.)		7.6 m (25 ft.)		9.1 m (30 ft.)		9.9 m (32.5 ft.)	
	Over front	Over side	Over front	Over side	Over front	Over side	Over front	Over side	Over front	Over side	Over front	Over side
10.7 m (35 ft.)			<b>9008 kg</b> (19,860 lb.)	<b>9008 kg</b> (19,860 lb.)								
9.1 m (30 ft.)			<b>7620 kg</b> (16,800 lb.)	<b>7620 kg</b> (16,800 lb.)	<b>6595 kg</b> (14,540 lb.)	<b>6595 kg</b> (14,540 lb.)						
7.6 m (25 ft.)			<b>7285 kg</b> (16,060 lb.)	<b>7285 kg</b> (16,060 lb.)	<b>6278 kg</b> (13,840 lb.)	<b>6278 kg</b> (13,840 lb.)	<b>5520 kg</b> (12,170 lb.)	<b>4527 kg</b> (9,980 lb.)				
6.1 m (20 ft.)			<b>7711 kg</b> (17,000 lb.)	<b>7711 kg</b> (17,000 lb.)	<b>6459 kg</b> (14,240 lb.)	<b>6459 kg</b> (14,240 lb.)	<b>5498 kg</b> (12,120 lb.)	<b>4531 kg</b> (9,990 lb.)				
4.6 m (15 ft.)			<b>8886 kg</b> (19,590 lb.)	<b>8886 kg</b> (19,590 lb.)	<b>6990 kg</b> (15,410 lb.)	<b>6881 kg</b> (15,170 lb.)	<b>5693 kg</b> (12,550 lb.)	<b>4427 kg</b> (9,760 lb.)	<b>4173 kg</b> (9,200 lb.)	<b>2944 kg</b> (6,490 lb.)		
3.1 m (10 ft.)					<b>7666 kg</b> (16,900 lb.)	<b>6559 kg</b> (14,460 lb.)	<b>5897 kg</b> (13,000 lb.)	<b>4268 kg</b> (9,410 lb.)	<b>4105 kg</b> (9,050 lb.)	<b>2880 kg</b> (6,350 lb.)		
1.5 m (5 ft.)					<b>8128 kg</b> (17,920 lb.)	<b>6214 kg</b> (13,700 lb.)	<b>5715 kg</b> (12,600 lb.)	<b>4096 kg</b> (9,030 lb.)	<b>4023 kg</b> (8,870 lb.)	<b>2803 kg</b> (6,180 lb.)	<b>3420 kg</b> (7,540 lb.)	<b>2336 kg</b> (5,150 lb.)

Attachment weight is included when calculating the lift capacities.

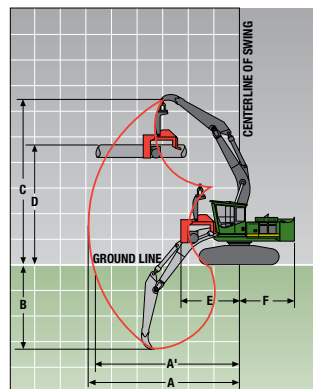
**Boldface** type indicates hydraulic-limited capacities with power boost; **lightface** type indicates stability-limited capacities. Figures do not exceed 87 percent of hydraulic capacities or 75 percent of weight needed to tip machine.

Operating Dimensions	2154D Road Builder	2154D Processor	2154D Live / Fixed Heel	2154D Butt & Top	2154D Power Clam
Lifting Capacity Over Front at Ground Level, 6.1-m (20 ft.) Reach (with power boost) and Attachment	6463 kg (14,248 lb.)	5806 kg (12,800 lb.)	8822 kg (19,450 lb.) / 8977 kg (19,790 lb.)	8001 kg (17,640 lb.)	8001 kg (17,640 lb.)
<b>A</b> Maximum Reach	9.87 m (32 ft. 5 in.)	8.76 m (28 ft. 9 in.)	10.98 m (36 ft. 0 in.) / 10.31 m (33 ft. 10 in.)	9.94 m (32 ft. 7 in.)	9.94 m (32 ft. 7 in.)
<b>A'</b> Maximum Reach at Ground Level	9.64 m (31 ft. 8 in.)	8.51 m (27 ft. 11 in.)	10.77 m (35 ft. 4 in.) / 10.10 m (33 ft. 2 in.)	9.71 m (31 ft. 10 in.)	9.71 m (31 ft. 10 in.)
<b>B</b> Maximum Depth	6.17 m (20 ft. 3 in.)	4.80 m (15 ft. 9 in.)	4.32 m (14 ft. 2 in.) / 3.82 m (12 ft. 6 in.)	3.30 m (10 ft. 10 in.)	3.30 m (10 ft. 10 in.)
<b>C</b> Maximum Height	10.34 m (33 ft. 11 in.)	9.64 m (31 ft. 7 in.)	12.65 m (41 ft. 6 in.) / 11.82 m (38 ft. 9 in.)	11.60 m (38 ft. 0 in.)	11.60 m (38 ft. 0 in.)
<b>D</b> Maximum Log-Level Height	N/A	7.36 m (24 ft. 2 in.)	8.12 m (26 ft. 8 in.) / 7.74 m (25 ft. 5 in.)	8.23 m (27 ft. 0 in.)	8.00 m (26 ft. 3 in.)
<b>E</b> Minimum Swing Radius	3.04 m (9 ft. 11 in.)	3.10 m (10 ft. 2 in.)	4.23 m (13 ft. 11 in.) / 4.88 m (16 ft. 0 in.)	4.57 m (15 ft. 0 in.)	4.27 m (14 ft. 0 in.)
<b>F</b> Tail Swing Radius	3.10 m (10 ft. 2 in.)	3.10 m (10 ft. 2 in.)	3.10 m (10 ft. 2 in.)	3.10 m (10 ft. 2 in.)	3.10 m (10 ft. 2 in.)

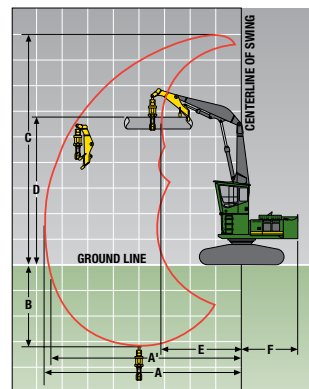
2154D Road-Builder Envelope



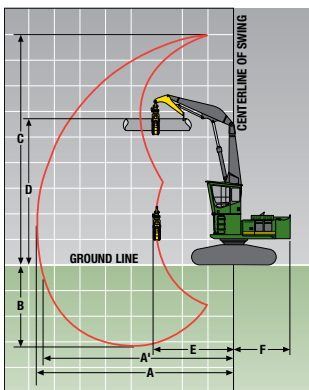
2154D Processor Envelope



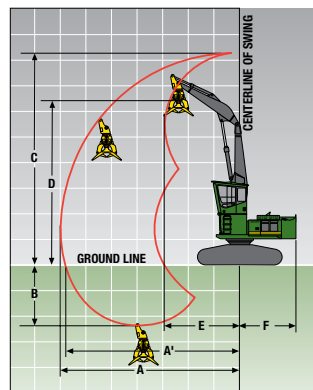
2154D Live-Heel Envelope



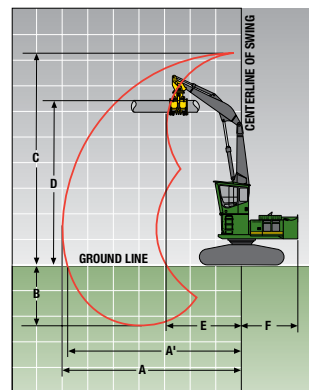
2154D Fixed-Heel Envelope



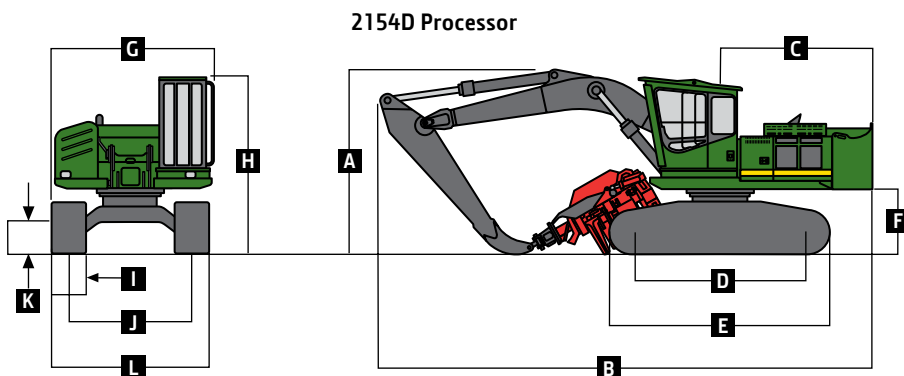
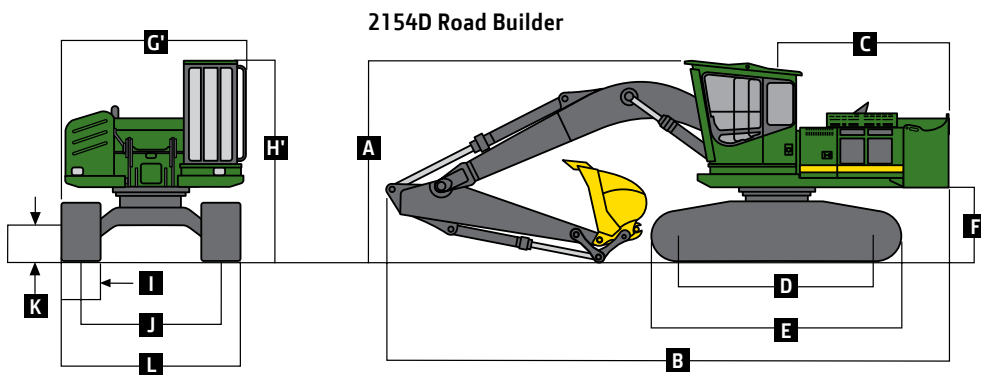
2154D Butt & Top Envelope



2154D Power-Clam Envelope

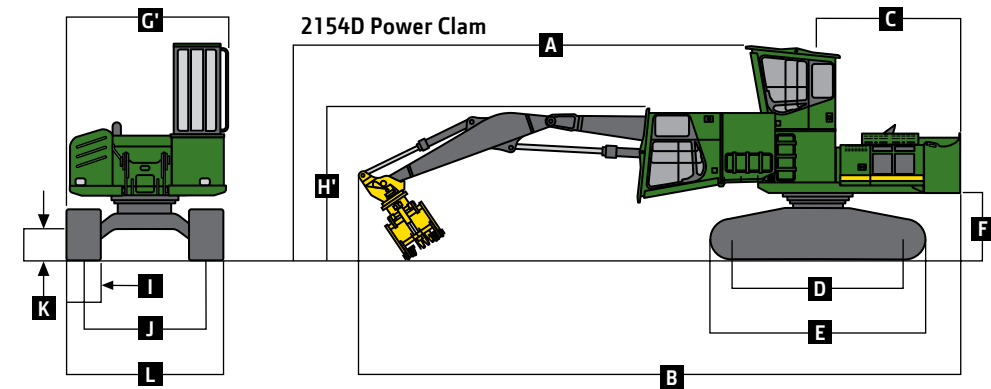
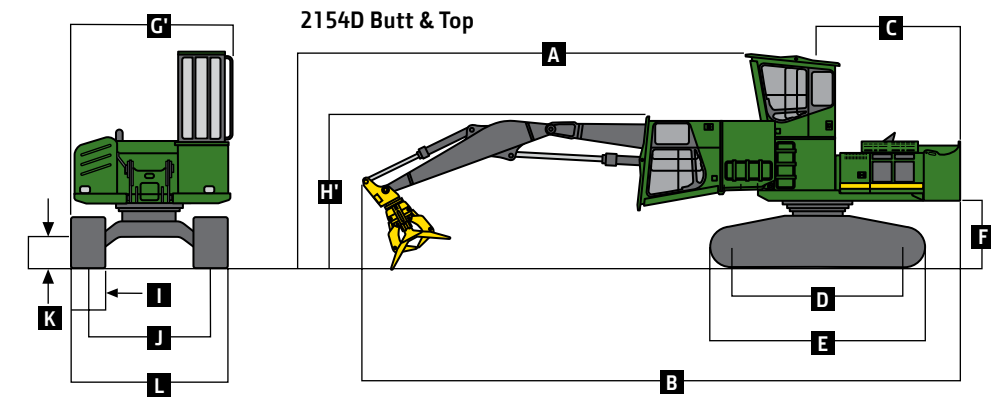
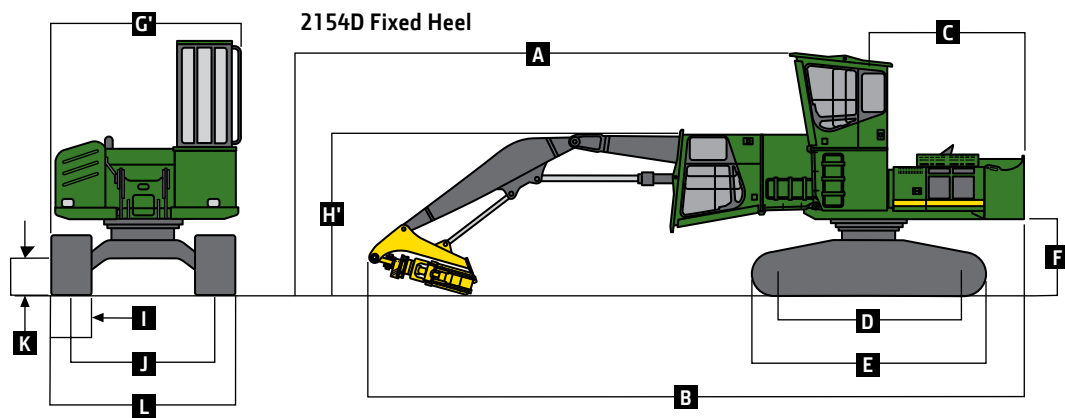
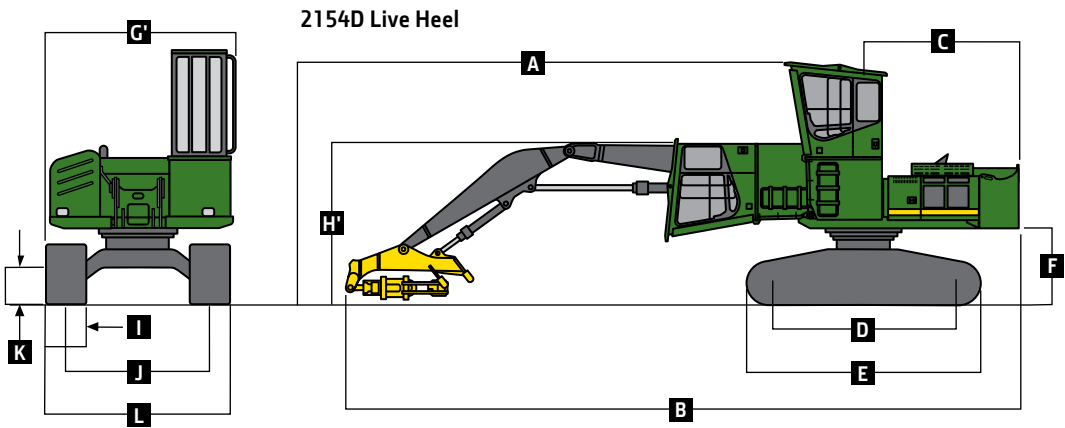


Machine Dimensions	2154D Road Builder	2154D Processor	2154D Live / Fixed Heel	2154D Butt & Top	2154D Power Clam
<b>A</b> Height	2.93 m (9 ft. 7 in.)	3.61 m (11 ft. 10 in.)	4.76 m (15 ft. 7 in.) / 4.71 m (15 ft. 5 in.)	4.76 m (15 ft. 7 in.)	4.76 m (15 ft. 7 in.)
<b>B</b> Overall Length	9.86 m (32 ft. 4 in.)	9.88 m (32 ft. 5 in.)	13.52 m (44 ft. 4 in.) / 12.98 m (42 ft. 7 in.)	13.69 m (44 ft. 11 in.)	13.76 m (45 ft. 2 in.)
<b>C</b> Rear-End Length / Swing Radius	3.10 m (10 ft. 2 in.)	3.10 m (10 ft. 2 in.)	3.10 m (10 ft. 2 in.)	3.10 m (10 ft. 2 in.)	3.10 m (10 ft. 2 in.)
<b>D</b> Distance Between Idler / Sprocket Centerline	3.66 m (12 ft. 0 in.)	3.66 m (12 ft. 0 in.)	3.66 m (12 ft. 0 in.)	3.66 m (12 ft. 0 in.)	3.66 m (12 ft. 0 in.)
<b>E</b> Undercarriage Length	4.45 m (14 ft. 7 in.)	4.45 m (14 ft. 7 in.)	4.45 m (14 ft. 7 in.)	4.45 m (14 ft. 7 in.)	4.45 m (14 ft. 7 in.)
<b>F</b> Counterweight Clearance	1.33 m (4 ft. 4 in.)	1.33 m (4 ft. 4 in.)	1.38 m (4 ft. 6 in.) / 1.33 m (4 ft. 4 in.)	1.38 m (4 ft. 6 in.)	1.38 m (4 ft. 6 in.)
<b>G</b> Upperstructure Width	3.36 m (11 ft. 0 in.)	3.36 m (11 ft. 0 in.)	N/A	N/A	N/A
<b>G'</b> Upperstructure Width with 1219-mm (48 in.) Side-Entry Cab	N/A	N/A	3.50 m (11 ft. 6 in.) / 3.41 m (11 ft. 2 in.)	3.50 m (11 ft. 6 in.)	3.50 m (11 ft. 6 in.)
Rear Entry	N/A	N/A	3.54 m (11 ft. 7 in.) / 3.45 m (11 ft. 4 in.)	3.54 m (11 ft. 7 in.)	3.54 m (11 ft. 7 in.)
<b>H</b> Cab Height (Transport)	3.68 m (12 ft. 1 in.)	3.68 m (12 ft. 1 in.)	N/A	N/A	N/A
<b>H'</b> Cab Height (Transport) with 1219-mm (48 in.) Side-Entry Cab	N/A	N/A	3.34 m (10 ft. 11 in.) / 3.29 m (10 ft. 9 in.)	3.39 m (11 ft. 1 in.)	3.45 m (11 ft. 4 in.)
Rear Entry	N/A	N/A	3.43 m (11 ft. 3 in.) / 3.38 m (11 ft. 1 in.)	3.43 m (11 ft. 3 in.)	3.45 m (11 ft. 4 in.)
<b>I</b> Track Width (700-mm [28 in.] double-grouser shoes)	0.70 m (2 ft. 4 in.)	0.70 m (2 ft. 4 in.)	0.70 m (2 ft. 4 in.)	0.70 m (2 ft. 4 in.)	0.70 m (2 ft. 4 in.)
<b>J</b> Gauge Width	2.62 m (8 ft. 7 in.)	2.62 m (8 ft. 7 in.)	2.79 m (9 ft. 2 in.) / 2.62 m (8 ft. 7 in.)	2.79 m (9 ft. 2 in.)	2.79 m (9 ft. 2 in.)
<b>K</b> Ground Clearance	0.66 m (2 ft. 2 in.)	0.66 m (2 ft. 2 in.)	0.71 m (2 ft. 4 in.) / 0.66 m (2 ft. 2 in.)	0.71 m (2 ft. 4 in.)	0.71 m (2 ft. 4 in.)
<b>L</b> Undercarriage Width	3.32 m (10 ft. 11 in.)	3.32 m (10 ft. 11 in.)	3.49 m (11 ft. 6 in.) / 3.32 m (10 ft. 11 in.)	3.49 m (11 ft. 6 in.)	3.49 m (11 ft. 6 in.)



Machine not exactly as shown. Illustrations for dimensioning purposes only.





Machine not exactly as shown. Illustrations for dimensioning purposes only.

# 2454D



Engine	2454D Road Builder	2454D Processor	2454D Live Heel	2454D Butt & Top	2454D Power Clam
Manufacturer and Model	John Deere 6068H				
Non-Road Emission Standards	EPA Tier 3/EU Stage IIIA				
Cylinders	6				
Engine Displacement	6.8 L (415 cu. in.)				
Net Peak Power (ISO 9249)	145 kW (194 hp)				
Off-Level Capacity	100% (45 deg.)				
Aspiration	Turbocharged, air-to-air charge air cooler				
<b>Cooling</b>					
Fan Drive	Cool-on-demand hydraulic-driven, suction-type, remote-mounted drive				
Engine Coolant Rating	-37 deg. C (-34 deg. F)				
<b>Powertrain</b>					
2-speed propel with automatic shift					
Maximum Travel Speed					
Low	3.3 km/h (2.1 mph)				
High	5.5 km/h (3.4 mph)				
Controls	Pilot levers, low effort; hydraulic pilot with shutoff lever				
<b>Hydraulics</b>					
Open center, load sensing					
Main Pumps					
Maximum Rated Flow x 2	248 L/m (65.5 gpm)				
Pilot Pump (one gear)					
Maximum Rated Flow	37 L/m (9.7 gpm)				
System Relief Pressure	3900 kPa (566 psi)				
Secondary Pump (one gear)					
Maximum Rated Flow	37 L/m (9.7 gpm)				
System Relief Pressure	20 600 kPa (2,988 psi)				
System Operating Pressure					
Implement Circuits	34 336 kPa (4,980 psi)				
Travel Circuits	34 336 kPa (4,980 psi)				
Swing Circuits	32 405 kPa (4,700 psi)				
Power Boost	36 266 kPa (5,260 psi)				
Auxiliary Hydraulic Flow	Adjustable through monitor				
<b>Cylinders</b>					
Heat-treated, chrome-plated, polished cylinder rods; hardened steel (replaceable bushings) pivot pins					
Boom (2)					
Bore	125 mm (4.9 in.)	125 mm (4.9 in.)	140 mm (5.5 in.)	140 mm (5.5 in.)	140 mm (5.5 in.)
Rod Diameter	90 mm (3.5 in.)	90 mm (3.5 in.)	100 mm (3.9 in.)	100 mm (3.9 in.)	100 mm (3.9 in.)
Stroke	1390 mm (54.7 in.)	1390 mm (54.7 in.)	1340 mm (52.8 in.)	1340 mm (52.8 in.)	1340 mm (52.8 in.)
Arm (1)					
Bore	140 mm (5.5 in.)	140 mm (5.5 in.)	170 mm (6.7 in.)	170 mm (6.7 in.)	170 mm (6.7 in.)
Rod Diameter	100 mm (3.9 in.)	100 mm (3.9 in.)	115 mm (4.5 in.)	115 mm (4.5 in.)	115 mm (4.5 in.)
Stroke	1610 mm (63.4 in.)	1610 mm (63.4 in.)	1740 mm (68.5 in.)	1740 mm (68.5 in.)	1740 mm (68.5 in.)
Bucket (1)					
Bore	130 mm (5.1 in.)	N/A	N/A	N/A	N/A
Rod Diameter	90 mm (3.5 in.)	N/A	N/A	N/A	N/A
Stroke	1075 mm (42.3 in.)	N/A	N/A	N/A	N/A
Heel (1)					
Bore	N/A	N/A	135 mm (5.3 in.)	N/A	N/A
Rod Diameter	N/A	N/A	90 mm (3.5 in.)	N/A	N/A
Stroke	N/A	N/A	1070 mm (42.1 in.)	N/A	N/A
Tilt (1)					
Bore	N/A	N/A	N/A	115 mm (4.5 in.)	115 mm (4.5 in.)
Rod Diameter	N/A	N/A	N/A	80 mm (3.1 in.)	80 mm (3.1 in.)
Stroke	N/A	N/A	N/A	1060 mm (41.7 in.)	1060 mm (41.7 in.)

Specifications are subject to change without notice.



Electrical	2454D Road Builder	2454D Processor	2454D Live Heel	2454D Butt & Top	2454D Power Clam
Voltage	24 volt				
Batteries	2 x 12 volt				
Reserve Capacity	440 min.				
Alternator Rating	80 amp				
<b>Undercarriage</b>					
Carrier Rollers (per side)	2				
Track Rollers (per side)	8				
Shoes, Double Grousers (per side)	45				
Drawbar Pull	25 435 kg (56,075 lb.)				
Track Adjustment	Hydraulic				
Track Guides	Front and center				
<b>Upperstructure</b>					
Counterweight, Standard	4823 kg (10,633 lb.)	4823 kg (10,633 lb.)	5140 kg (11,332 lb.)	5140 kg (11,332 lb.)	5140 kg (11,332 lb.)
<b>Swing Mechanism</b>					
Swing Speed	12.6 rpm	12.6 rpm	10.6 rpm	10.6 rpm	10.6 rpm
Swing Torque	77 140 Nm (56,896 lb.-ft.)	77 140 Nm (56,896 lb.-ft.)	107 869 Nm (79,560 lb.-ft.)	107 869 Nm (79,560 lb.-ft.)	107 869 Nm (79,560 lb.-ft.)
<b>Ground Pressure</b>					
700-mm (28 in.) Double-Grouser Shoes	53.8 kPa (7.80 psi)	57.7 kPa (8.37 psi)	60.8 kPa (8.82 psi)	61.0 kPa (8.85 psi)	61.0 kPa (8.85 psi)
<b>Refill Capacities</b>					
Fuel Tank	1050.0 L (277.0 gal.)	1050.0 L (277.0 gal.)	1050.0 L (277.0 gal.)	1050.0 L (277.0 gal.)	1050.0 L (277.0 gal.)
Cooling System	29.9 L (8.0 gal.)	29.9 L (8.0 gal.)	31.0 L (8.0 gal.)	31.0 L (8.0 gal.)	31.0 L (8.0 gal.)
Engine Oil with Filter	24.6 L (7.0 gal.)	24.6 L (7.0 gal.)	24.6 L (7.0 gal.)	24.6 L (7.0 gal.)	24.6 L (7.0 gal.)
Hydraulic Tank	148.0 L (39.0 gal.)	148.0 L (39.0 gal.)	148.0 L (39.0 gal.)	148.0 L (39.0 gal.)	148.0 L (39.0 gal.)
Hydraulic System	280.0 L (74.0 gal.)	280.0 L (74.0 gal.)	310.0 L (82.0 gal.)	310.0 L (82.0 gal.)	310.0 L (82.0 gal.)
Propel Gearbox (each)	8.5 L (9.0 qt.)	8.5 L (9.0 qt.)	8.5 L (9.0 qt.)	8.5 L (9.0 qt.)	8.5 L (9.0 qt.)
Swing Gearbox	11.8 L (12.5 qt.)	11.8 L (12.5 qt.)	11.8 L (12.5 qt.)	11.8 L (12.5 qt.)	11.8 L (12.5 qt.)
Pump Drive Gearbox	1.1 L (1.2 qt.)	1.1 L (1.2 qt.)	1.1 L (1.2 qt.)	1.1 L (1.2 qt.)	1.1 L (1.2 qt.)
<b>Operating Weights</b>					
With 840-kg (1,818 lb.) full fuel tank, 79-kg (175 lb.) operator, and 700-mm (28 in.) double-grouser shoes					
	4823-kg (10,633 lb.) counterweight; 1.06-m <sup>3</sup> (1.38 cu. yd.), 1065-mm (42 in.), 996-kg (2,195 lb.) bucket; and 2.96-m (9 ft. 9 in.) arm	4823-kg (10,633 lb.) counterweight and 2177-kg (4,800 lb.) processor head	5140-kg (11,332 lb.) counterweight and 816-kg (1,800 lb.) grapple	5140-kg (11,332 lb.) counterweight and 2041-kg (4,500 lb.) grapple	5140-kg (11,332 lb.) counterweight and 2041-kg (4,500 lb.) grapple
SAE Operating Weight	31 218 kg (68,824 lb.)	33 490 kg (73,833 lb.)	35 300 kg (77,823 lb.)	35 370 kg (77,978 lb.)	35 370 kg (77,978 lb.)

**Lift Capacity — 2454D Road Builder with 2.96-m (9 ft. 9 in.) arm, 1.06-m<sup>3</sup> (1.38 cu. yd.) bucket, and 700-mm (28 in.) shoes**

Load Point Height	1.5 m (5 ft.)		3.1 m (10 ft.)		4.6 m (15 ft.)		6.1 m (20 ft.)		7.6 m (25 ft.)		9.1 m (30 ft.)	
	Over front	Over side	Over front	Over side	Over front	Over side	Over front	Over side	Over front	Over side	Over front	Over side
6.1 m (20 ft.)									<b>3738 kg</b> <b>(8,240 lb.)</b>	<b>3738 kg</b> <b>(8,240 lb.)</b>		
4.6 m (15 ft.)							<b>4781 kg</b> <b>(10,540 lb.)</b>	<b>4781 kg</b> <b>(10,540 lb.)</b>	<b>4486 kg</b> <b>(9,890 lb.)</b>	4091 kg (9,020 lb.)		
3.1 m (10 ft.)					<b>7947 kg</b> <b>(17,520 lb.)</b>	<b>7947 kg</b> <b>(17,520 lb.)</b>	<b>5919 kg</b> <b>(13,050 lb.)</b>	5711 kg (12,590 lb.)	<b>5021 kg</b> <b>(11,070 lb.)</b>	3915 kg (8,630 lb.)	<b>3270 kg</b> <b>(7,210 lb.)</b>	2771 kg (6,110 lb.)
1.5 m (5 ft.)					<b>10 505 kg</b> <b>(23,160 lb.)</b>	8192 kg (18,060 lb.)	<b>7149 kg</b> <b>(15,760 lb.)</b>	5316 kg (11,720 lb.)	<b>5661 kg</b> <b>(12,480 lb.)</b>	3710 kg (8,180 lb.)	<b>4178 kg</b> <b>(9,210 lb.)</b>	2685 kg (5,920 lb.)
Ground Line					<b>11 626 kg</b> <b>(25,630 lb.)</b>	7806 kg (17,210 lb.)	<b>8038 kg</b> <b>(17,720 lb.)</b>	5035 kg (11,100 lb.)	5711 kg (12,590 lb.)	3552 kg (7,830 lb.)	<b>4191 kg</b> <b>(9,240 lb.)</b>	2608 kg (5,750 lb.)
-1.5 m (-5 ft.)			<b>5788 kg</b> <b>(12,760 lb.)</b>	<b>5788 kg</b> <b>(12,760 lb.)</b>	<b>11 635 kg</b> <b>(25,650 lb.)</b>	7734 kg (17,050 lb.)	8033 kg (17,710 lb.)	4908 kg (10,820 lb.)	5611 kg (12,370 lb.)	3461 kg (7,630 lb.)		
-3.1 m (-10 ft.)			<b>8777 kg</b> <b>(19,350 lb.)</b>	<b>8777 kg</b> <b>(19,350 lb.)</b>	<b>10 941 kg</b> <b>(24,120 lb.)</b>	7802 kg (17,200 lb.)	8033 kg (17,710 lb.)	4908 kg (10,820 lb.)	5620 kg (12,390 lb.)	3470 kg (7,650 lb.)		
-4.6 m (-15 ft.)			<b>12 519 kg</b> <b>(27,600 lb.)</b>	<b>12 519 kg</b> <b>(27,600 lb.)</b>	<b>9403 kg</b> <b>(20,730 lb.)</b>	7997 kg (17,630 lb.)	<b>7026 kg</b> <b>(15,490 lb.)</b>	5039 kg (11,110 lb.)				

**Lift Capacity — 2454D Processor with processor arm, 2177-kg (4,800 lb.) attachment, and 700-mm (28 in.) shoes**

Load Point Height	1.5 m (5 ft.)		3.1 m (10 ft.)		4.6 m (15 ft.)		6.1 m (20 ft.)		7.6 m (25 ft.)		8.7 m (28.6 ft.)	
	Over front	Over side	Over front	Over side	Over front	Over side	Over front	Over side	Over front	Over side	Over front	Over side
7.6 m (25 ft.)							<b>3084 kg</b> <b>(6,800 lb.)</b>	<b>3084 kg</b> <b>(6,800 lb.)</b>				
6.1 m (20 ft.)							<b>3402 kg</b> <b>(7,500 lb.)</b>	<b>3402 kg</b> <b>(7,500 lb.)</b>	<b>3402 kg</b> <b>(7,500 lb.)</b>	<b>3402 kg</b> <b>(7,500 lb.)</b>		
4.6 m (15 ft.)			<b>7121 kg</b> <b>(15,700 lb.)</b>	<b>7121 kg</b> <b>(15,700 lb.)</b>	<b>5080 kg</b> <b>(11,200 lb.)</b>	<b>5080 kg</b> <b>(11,200 lb.)</b>	<b>4173 kg</b> <b>(9,200 lb.)</b>	<b>4173 kg</b> <b>(9,200 lb.)</b>	<b>3765 kg</b> <b>(8,300 lb.)</b>	<b>3765 kg</b> <b>(8,300 lb.)</b>		
3.1 m (10 ft.)			<b>13 517 kg</b> <b>(29,800 lb.)</b>	<b>13 517 kg</b> <b>(29,800 lb.)</b>	<b>7394 kg</b> <b>(16,300 lb.)</b>	<b>7394 kg</b> <b>(16,300 lb.)</b>	<b>5307 kg</b> <b>(11,700 lb.)</b>	<b>5307 kg</b> <b>(11,700 lb.)</b>	<b>4309 kg</b> <b>(9,500 lb.)</b>	<b>4309 kg</b> <b>(9,500 lb.)</b>		
1.5 m (5 ft.)			<b>17 327 kg</b> <b>(38,200 lb.)</b>	<b>17 327 kg</b> <b>(38,200 lb.)</b>	<b>9435 kg</b> <b>(20,800 lb.)</b>	<b>9435 kg</b> <b>(20,800 lb.)</b>	<b>6396 kg</b> <b>(14,100 lb.)</b>	<b>6396 kg</b> <b>(14,100 lb.)</b>	<b>4899 kg</b> <b>(10,800 lb.)</b>	4627 kg (10,200 lb.)	4128 kg (9,100 lb.)	3402 kg (7,500 lb.)
Ground Line			<b>17 600 kg</b> <b>(38,800 lb.)</b>	<b>17 600 kg</b> <b>(38,800 lb.)</b>	<b>10 523 kg</b> <b>(23,200 lb.)</b>	<b>10 523 kg</b> <b>(23,200 lb.)</b>	<b>7121 kg</b> <b>(15,700 lb.)</b>	6668 kg (14,700 lb.)	<b>5307 kg</b> <b>(11,700 lb.)</b>	4491 kg (9,900 lb.)		
-1.5 m (-5 ft.)	<b>30 210 kg</b> <b>(66,600 lb.)</b>	<b>30 210 kg</b> <b>(66,600 lb.)</b>	<b>16 874 kg</b> <b>(37,200 lb.)</b>	<b>16 874 kg</b> <b>(37,200 lb.)</b>	<b>10 705 kg</b> <b>(23,600 lb.)</b>	<b>10 705 kg</b> <b>(23,600 lb.)</b>	<b>7394 kg</b> <b>(16,300 lb.)</b>	6577 kg (14,500 lb.)	5352 kg (11,800 lb.)	4445 kg (9,800 lb.)		
-3.1 m (-10 ft.)	<b>27 896 kg</b> <b>(61,500 lb.)</b>	<b>27 896 kg</b> <b>(61,500 lb.)</b>	<b>15 286 kg</b> <b>(33,700 lb.)</b>	<b>15 286 kg</b> <b>(33,700 lb.)</b>	<b>10 070 kg</b> <b>(22,200 lb.)</b>	<b>10 070 kg</b> <b>(22,200 lb.)</b>	<b>7031 kg</b> <b>(15,500 lb.)</b>	6577 kg (14,500 lb.)				
-4.6 m (-15 ft.)			<b>12 429 kg</b> <b>(27,400 lb.)</b>	<b>12 429 kg</b> <b>(27,400 lb.)</b>	<b>8301 kg</b> <b>(18,300 lb.)</b>	<b>8301 kg</b> <b>(18,300 lb.)</b>						

Attachment weight is included when calculating the lift capacities.

**Boldface** type indicates hydraulic-limited capacities with power boost; **lightface** type indicates stability-limited capacities. Figures do not exceed 87 percent of hydraulic capacities or 75 percent of weight needed to tip machine.

Lift Capacity — 2454D Live Heel with 816-kg (1,800 lb.) grapple and 700-mm (28 in.) shoes												
Load Point Height	4.6 m (15 ft.)		6.1 m (20 ft.)		7.6 m (25 ft.)		9.1 m (30 ft.)		10.7 m (35 ft.)		11.7 m (38.3 ft.)	
	Over front	Over side	Over front	Over side	Over front	Over side	Over front	Over side	Over front	Over side	Over front	Over side
12.2 m (40 ft.)	<b>11 476 kg</b> (25,300 lb.)	<b>11 476 kg</b> (25,300 lb.)										
10.7 m (35 ft.)	<b>9208 kg</b> (20,300 lb.)	<b>9208 kg</b> (20,300 lb.)	<b>7983 kg</b> (17,600 lb.)	<b>7983 kg</b> (17,600 lb.)	<b>7076 kg</b> (15,600 lb.)	5489 kg						
9.1 m (30 ft.)			<b>7484 kg</b> (16,500 lb.)	<b>7484 kg</b> (16,500 lb.)	<b>6668 kg</b> (14,700 lb.)	5715 kg	5761 kg	4173 kg				
7.6 m (25 ft.)			<b>7530 kg</b> (16,600 lb.)	<b>7530 kg</b> (16,600 lb.)	<b>6623 kg</b> (14,600 lb.)	5897 kg	5534 kg	3946 kg				
6.1 m (20 ft.)			<b>8029 kg</b> (17,700 lb.)	<b>8029 kg</b> (17,700 lb.)	<b>6849 kg</b> (15,100 lb.)	5851 kg	5579 kg	3992 kg	4264 kg	2994 kg		
4.6 m (15 ft.)			<b>8664 kg</b> (19,100 lb.)	<b>8664 kg</b> (19,100 lb.)	<b>7258 kg</b> (16,000 lb.)	5761 kg	5579 kg	3992 kg	4264 kg	2994 kg		
3.1 m (10 ft.)			<b>9253 kg</b> (20,400 lb.)	8482 kg (18,700 lb.)	7666 kg (16,900 lb.)	5534 kg (12,200 lb.)	5534 kg (12,200 lb.)	3946 kg (8,700 lb.)	4173 kg (9,200 lb.)	2903 kg (6,400 lb.)		
1.5 m (5 ft.)					7439 kg (16,400 lb.)	5443 kg (12,000 lb.)	5443 kg (12,000 lb.)	3856 kg (8,500 lb.)	4082 kg (9,000 lb.)	2858 kg (6,300 lb.)	3447 kg (7,600 lb.)	2359 kg (5,200 lb.)
Ground Line			<b>10 342 kg</b> (22,800 lb.)	7530 kg (16,600 lb.)	7258 kg (16,000 lb.)	5171 kg (11,400 lb.)	5307 kg (11,700 lb.)	3765 kg (8,300 lb.)	4037 kg (8,900 lb.)	2767 kg (6,100 lb.)		
-1.5 m (-5 ft.)			<b>9480 kg</b> (20,900 lb.)	7303 kg (16,100 lb.)	7121 kg (15,700 lb.)	5035 kg (11,100 lb.)	5216 kg (11,500 lb.)	3674 kg (8,100 lb.)	<b>3357 kg</b> (7,400 lb.)	2767 kg (6,100 lb.)		
-3.1 m (-10 ft.)			<b>7620 kg</b> (16,800 lb.)	7303 kg (16,100 lb.)	<b>5806 kg</b> (12,800 lb.)	5035 kg (11,100 lb.)	<b>4010 kg</b> (8,840 lb.)	3674 kg (8,100 lb.)				

Lift Capacity — 2454D Butt & Top with 2041-kg (4,500 lb.) grapple and 700-mm (28 in.) shoes												
Load Point Height	3.1 m (10 ft.)		4.6 m (15 ft.)		6.1 m (20 ft.)		7.6 m (25 ft.)		9.1 m (30 ft.)		10.7 m (35 ft.)	
	Over front	Over side	Over front	Over side	Over front	Over side	Over front	Over side	Over front	Over side	Over front	Over side
12.2 m (40 ft.)	<b>16 148 kg</b> (35,600 lb.)	<b>16 148 kg</b> (35,600 lb.)										
10.7 m (35 ft.)			<b>9616 kg</b> (21,200 lb.)	<b>9616 kg</b> (21,200 lb.)	<b>8392 kg</b> (18,500 lb.)	<b>8074 kg</b> (17,800 lb.)						
9.1 m (30 ft.)			<b>8709 kg</b> (19,200 lb.)	<b>8709 kg</b> (19,200 lb.)	<b>7530 kg</b> (16,600 lb.)	<b>7530 kg</b> (16,600 lb.)	<b>6759 kg</b> (14,900 lb.)	5307 kg (11,700 lb.)				
7.6 m (25 ft.)			<b>8709 kg</b> (19,200 lb.)	<b>8709 kg</b> (19,200 lb.)	<b>7484 kg</b> (16,500 lb.)	<b>7484 kg</b> (16,500 lb.)	<b>6532 kg</b> (14,400 lb.)	5443 kg (12,000 lb.)	5126 kg (11,300 lb.)	3538 kg (7,800 lb.)		
6.1 m (20 ft.)			<b>9571 kg</b> (21,100 lb.)	<b>9571 kg</b> (21,100 lb.)	<b>7893 kg</b> (17,400 lb.)	<b>7893 kg</b> (17,400 lb.)	<b>6668 kg</b> (14,700 lb.)	5352 kg (11,800 lb.)	5171 kg (11,400 lb.)	3629 kg (8,000 lb.)		
4.6 m (15 ft.)			<b>11 158 kg</b> (24,600 lb.)	<b>11 158 kg</b> (24,600 lb.)	<b>8618 kg</b> (19,000 lb.)	7983 kg (17,600 lb.)	<b>6985 kg</b> (15,400 lb.)	5216 kg (11,500 lb.)	5126 kg (11,300 lb.)	3538 kg (7,800 lb.)		
3.1 m (10 ft.)					<b>9435 kg</b> (20,800 lb.)	7575 kg (16,700 lb.)	7076 kg (15,600 lb.)	4990 kg (11,000 lb.)	5035 kg (11,100 lb.)	3447 kg (7,600 lb.)	<b>2087 kg</b> (4,600 lb.)	<b>2087 kg</b> (4,600 lb.)
1.5 m (5 ft.)					<b>9934 kg</b> (21,900 lb.)	7167 kg (15,800 lb.)	6849 kg (15,100 lb.)	4808 kg (10,600 lb.)	4899 kg (10,800 lb.)	3357 kg (7,400 lb.)	<b>2177 kg</b> (4,800 lb.)	<b>2177 kg</b> (4,800 lb.)
Ground Line			<b>13 699 kg</b> (30,200 lb.)	11 249 kg (24,800 lb.)	<b>9707 kg</b> (21,400 lb.)	6895 kg (15,200 lb.)	6713 kg (14,800 lb.)	4627 kg (10,200 lb.)	4853 kg (10,700 lb.)	3266 kg (7,200 lb.)	<b>2132 kg</b> (4,700 lb.)	<b>2132 kg</b> (4,700 lb.)
-1.5 m (-5 ft.)	<b>15 967 kg</b> (35,200 lb.)	<b>15 967 kg</b> (35,200 lb.)	<b>11 748 kg</b> (25,900 lb.)	11 068 kg (24,400 lb.)	<b>8528 kg</b> (18,800 lb.)	6759 kg (14,900 lb.)	<b>6124 kg</b> (13,500 lb.)	4581 kg (10,100 lb.)	<b>3901 kg</b> (8,600 lb.)	3266 kg (7,200 lb.)		
-3.1 m (-10 ft.)			<b>8482 kg</b> (18,700 lb.)	<b>8482 kg</b> (18,700 lb.)	<b>6305 kg</b> (13,900 lb.)	<b>6305 kg</b> (13,900 lb.)	4173 kg (9,200 lb.)	4173 kg (9,200 lb.)				

Attachment weight is included when calculating the lift capacities.

**Boldface** type indicates hydraulic-limited capacities with power boost; **lightface** type indicates stability-limited capacities. Figures do not exceed 87 percent of hydraulic capacities or 75 percent of weight needed to tip machine.

**Lift Capacity — 2454D Power Clam with 2041-kg (4,500 lb.) grapple and 700-mm (28 in.) shoes**

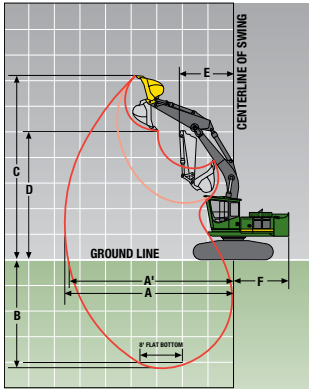
Load Point Height	3.1 m (10 ft.)		4.6 m (15 ft.)		6.1 m (20 ft.)		7.6 m (25 ft.)		9.1 m (30 ft.)		10.7 m (35 ft.)	
	Over front	Over side	Over front	Over side	Over front	Over side	Over front	Over side	Over front	Over side	Over front	Over side
12.2 m (40 ft.)	<b>16 148 kg</b> <b>(35,600 lb.)</b>	<b>16 148 kg</b> <b>(35,600 lb.)</b>										
10.7 m (35 ft.)			9616 kg (21,200 lb.)	9616 kg (21,200 lb.)	8392 kg (18,500 lb.)	8074 kg (17,800 lb.)						
9.1 m (30 ft.)			8709 kg (19,200 lb.)	8709 kg (19,200 lb.)	7530 kg (16,600 lb.)	7530 kg (16,600 lb.)	6759 kg (14,900 lb.)	5307 kg (11,700 lb.)				
7.6 m (25 ft.)			8709 kg (19,200 lb.)	8709 kg (19,200 lb.)	7484 kg (16,500 lb.)	7484 kg (16,500 lb.)	6532 kg (14,400 lb.)	5443 kg (12,000 lb.)	5126 kg (11,300 lb.)	3538 kg (7,800 lb.)		
6.1 m (20 ft.)			9571 kg (21,100 lb.)	9571 kg (21,100 lb.)	7893 kg (17,400 lb.)	7893 kg (17,400 lb.)	6668 kg (14,700 lb.)	5352 kg (11,800 lb.)	5171 kg (11,400 lb.)	3629 kg (8,000 lb.)		
4.6 m (15 ft.)			11 158 kg (24,600 lb.)	11 158 kg (24,600 lb.)	8618 kg (19,000 lb.)	7983 kg (17,600 lb.)	6985 kg (15,400 lb.)	5216 kg (11,500 lb.)	5126 kg (11,300 lb.)	3538 kg (7,800 lb.)		
3.1 m (10 ft.)					9435 kg (20,800 lb.)	7575 kg (16,700 lb.)	7076 kg (15,600 lb.)	4990 kg (11,000 lb.)	5035 kg (11,100 lb.)	3447 kg (7,600 lb.)	2087 kg (4,600 lb.)	2087 kg (4,600 lb.)
1.5 m (5 ft.)					9934 kg (21,900 lb.)	7167 kg (15,800 lb.)	6849 kg (15,100 lb.)	4808 kg (10,600 lb.)	4899 kg (10,800 lb.)	3357 kg (7,400 lb.)	2177 kg (4,800 lb.)	2177 kg (4,800 lb.)
Ground Line			13 699 kg (30,200 lb.)	11 249 kg (24,800 lb.)	9707 kg (21,400 lb.)	6895 kg (15,200 lb.)	6713 kg (14,800 lb.)	4627 kg (10,200 lb.)	4853 kg (10,700 lb.)	3266 kg (7,200 lb.)	2132 kg (4,700 lb.)	2132 kg (4,700 lb.)
-1.5 m (-5 ft.)	<b>15 967 kg</b> <b>(35,200 lb.)</b>	<b>15 967 kg</b> <b>(35,200 lb.)</b>	11 748 kg (25,900 lb.)	11 068 kg (24,400 lb.)	8528 kg (18,800 lb.)	6759 kg (14,900 lb.)	6124 kg (13,500 lb.)	4581 kg (10,100 lb.)	3901 kg (8,600 lb.)	3266 kg (7,200 lb.)		
-3.1 m (-10 ft.)			8482 kg (18,700 lb.)	8482 kg (18,700 lb.)	6305 kg (13,900 lb.)	6305 kg (13,900 lb.)	4173 kg (9,200 lb.)	4173 kg (9,200 lb.)				

Attachment weight is included when calculating the lift capacities.

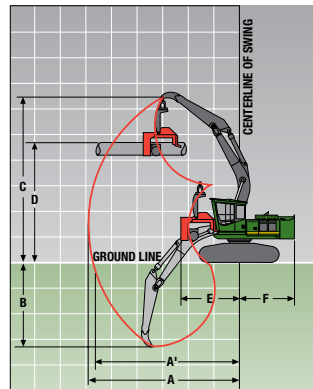
**Boldface** type indicates hydraulic-limited capacities with power boost; lightface type indicates stability-limited capacities. Figures do not exceed 87 percent of hydraulic capacities or 75 percent of weight needed to tip machine.

Operating Dimensions	2454D Road Builder	2454D Processor	2454D Live Heel	2454D Butt & Top	2454D Power Clam
Arm Length	2.96 m (9 ft. 9 in.)	3.43 m (11 ft. 3 in.)	N/A	N/A	N/A
Arm Force (with 700-mm [28 in.] double-grouser shoes and power boost)	122.9 kN (27,629 lb.)	N/A	N/A	N/A	N/A
Bucket Digging Force (with 700-mm [28 in.] double-grouser shoes and power boost)	167.0 kN (37,543 lb.)	N/A	N/A	N/A	N/A
Lifting Capacity Over Front at Ground Level, 6.1-m (20 ft.) Reach (with power boost) and Attachment	8038 kg (17,721 lb.)	7121 kg (15,700 lb.)	10 340 kg (22,796 lb.)	9707 kg (21,400 lb.)	9707 kg (21,400 lb.)
<b>A</b> Maximum Reach	10.10 m (33 ft. 2 in.)	8.94 m (29 ft. 4 in.)	11.67 m (38 ft. 3 in.)	10.68 m (35 ft. 0 in.)	10.68 m (35 ft. 0 in.)
<b>A'</b> Maximum Reach at Ground Level	9.86 m (32 ft. 4 in.)	8.66 m (28 ft. 5 in.)	11.43 m (37 ft. 6 in.)	10.43 m (34 ft. 3 in.)	10.43 m (34 ft. 3 in.)
<b>B</b> Maximum Depth	6.20 m (20 ft. 4 in.)	4.92 m (16 ft. 2 in.)	4.82 m (15 ft. 10 in.)	3.68 m (12 ft. 1 in.)	3.68 m (12 ft. 1 in.)
<b>C</b> Maximum Height	10.54 m (34 ft. 7 in.)	N/A	13.67 m (44 ft. 10 in.)	12.76 m (41 ft. 10 in.)	12.76 m (41 ft. 10 in.)
<b>D</b> Maximum Dumping Height	7.85 m (25 ft. 9 in.)	N/A	N/A	N/A	N/A
Maximum Log-Level Height	N/A	7.08 m (23 ft. 3 in.)	8.82 m (28 ft. 11 in.)	9.91 m (32 ft. 6 in.)	8.91 m (29 ft. 3 in.)
<b>E</b> Minimum Swing Radius	3.17 m (10 ft. 5 in.)	3.47 m (11 ft. 5 in.)	4.77 m (15 ft. 8 in.)	4.47 m (14 ft. 8 in.)	4.47 m (14 ft. 8 in.)
<b>F</b> Tail Swing Radius	3.30 m (10 ft. 10 in.)	3.30 m (10 ft. 10 in.)	3.30 m (10 ft. 10 in.)	3.30 m (10 ft. 10 in.)	3.30 m (10 ft. 10 in.)

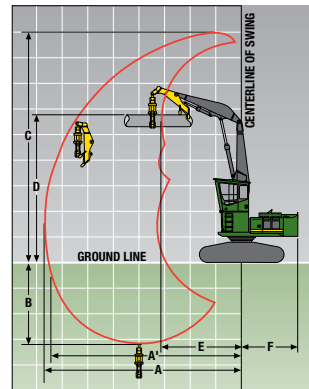
2454D Road-BUILDER Envelope



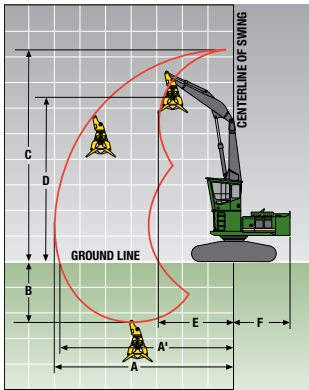
2454D Processor Envelope



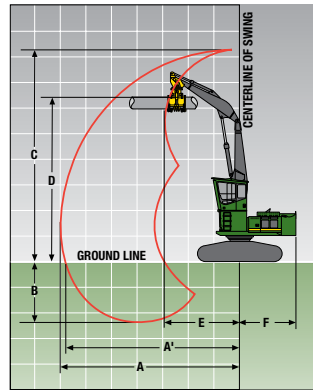
2454D Live-Heel Envelope



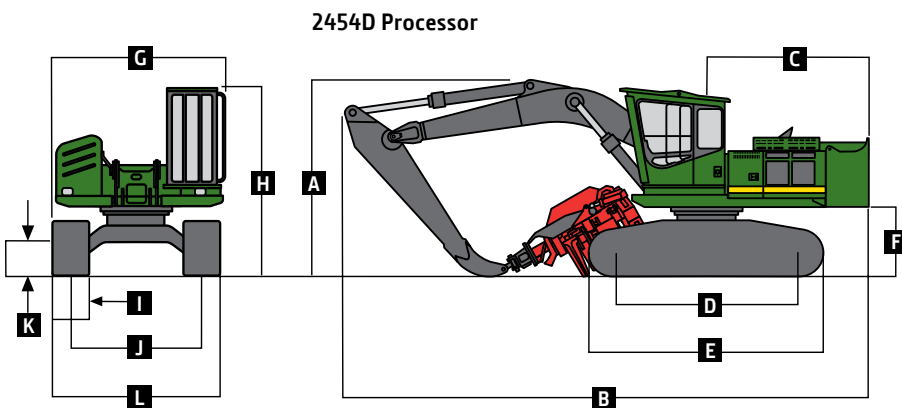
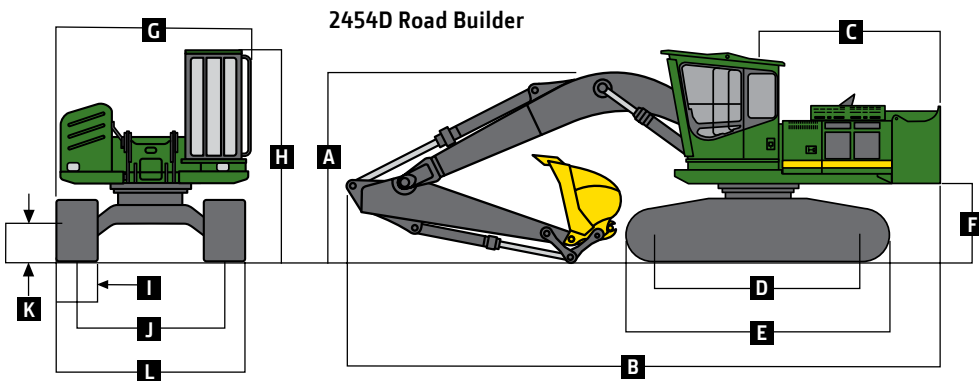
2454D Butt & Top Envelope



2454D Power-Clam Envelope

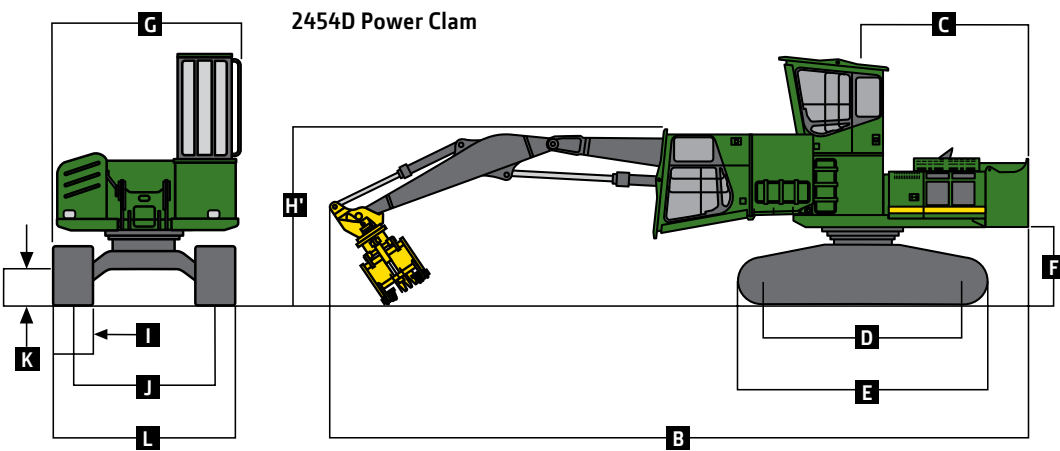
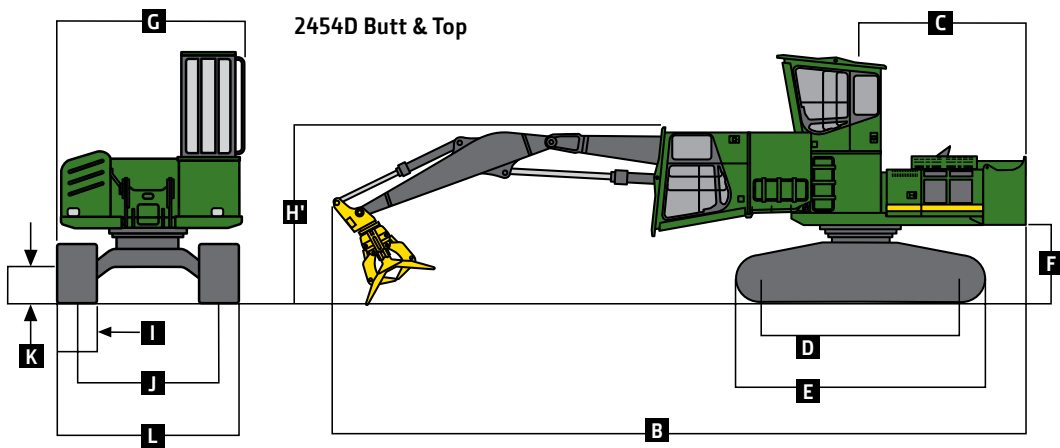
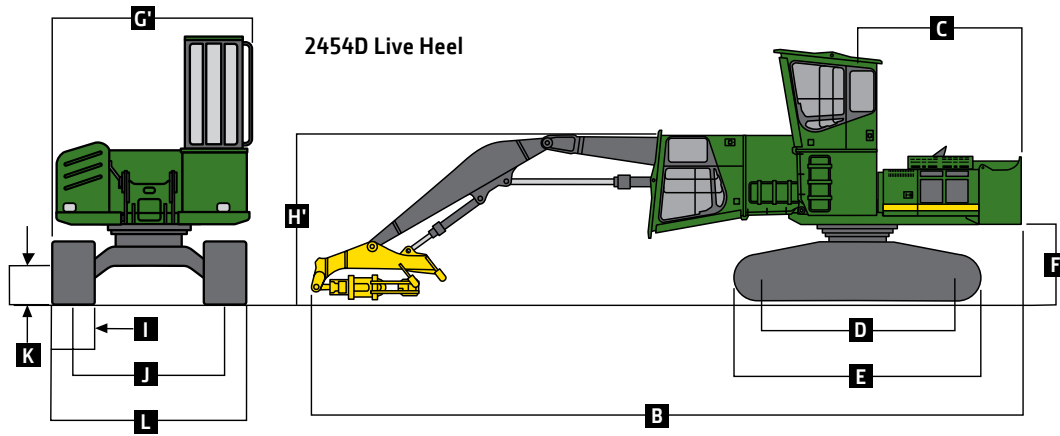


Machine Dimensions	2454D Road Builder	2454D Processor	2454D Live Heel	2454D Butt & Top	2454D Power Clam
<b>A</b> Height	3.74 m (12 ft. 4 in.)	3.99 m (13 ft. 1 in.)	N/A	N/A	N/A
<b>B</b> Overall Length	10.46 m (34 ft. 4 in.)	10.77 m (35 ft. 4 in.)	14.32 m (47 ft. 0 in.)	14.37 m (47 ft. 2 in.)	14.44 m (47 ft. 4 in.)
<b>C</b> Rear-End Length / Swing Radius	3.25 m (10 ft. 8 in.)	3.25 m (10 ft. 8 in.)	3.25 m (10 ft. 8 in.)	3.25 m (10 ft. 8 in.)	3.25 m (10 ft. 8 in.)
<b>D</b> Distance Between Idler / Sprocket Centerline	3.73 m (12 ft. 3 in.)	3.73 m (12 ft. 3 in.)	3.73 m (12 ft. 3 in.)	3.73 m (12 ft. 3 in.)	3.73 m (12 ft. 3 in.)
<b>E</b> Undercarriage Length	4.69 m (15 ft. 5 in.)	4.69 m (15 ft. 5 in.)	4.69 m (15 ft. 5 in.)	4.69 m (15 ft. 5 in.)	4.69 m (15 ft. 5 in.)
<b>F</b> Counterweight Clearance	1.40 m (4 ft. 7 in.)	1.40 m (4 ft. 7 in.)	1.46 m (4 ft. 10 in.)	1.46 m (4 ft. 10 in.)	1.46 m (4 ft. 10 in.)
<b>G</b> Upperstructure Width	3.39 m (11 ft. 2 in.)	3.39 m (11 ft. 2 in.)	3.58 m (11 ft. 9 in.)	3.58 m (11 ft. 9 in.)	3.58 m (11 ft. 9 in.)
<b>H</b> Cab Height	3.77 m (12 ft. 5 in.)	3.77 m (12 ft. 5 in.)	N/A	N/A	N/A
<b>H'</b> Cab Height (transport)	N/A	N/A	3.52 m (11 ft. 6 in.)	3.52 m (11 ft. 6 in.)	3.52 m (11 ft. 6 in.)
<b>I</b> Track Width (with 700-mm [28 in.] double-grouser shoes)	0.70 m (2 ft. 4 in.)	0.70 m (2 ft. 4 in.)	0.70 m (2 ft. 4 in.)	0.70 m (2 ft. 4 in.)	0.70 m (2 ft. 4 in.)
<b>J</b> Gauge Width	2.62 m (8 ft. 7 in.)	2.62 m (8 ft. 7 in.)	2.79 m (9 ft. 2 in.)	2.79 m (9 ft. 2 in.)	2.79 m (9 ft. 2 in.)
<b>K</b> Ground Clearance	0.71 m (2 ft. 4 in.)	0.71 m (2 ft. 4 in.)	0.76 m (2 ft. 6 in.)	0.76 m (2 ft. 6 in.)	0.76 m (2 ft. 6 in.)
<b>L</b> Undercarriage Width	3.32 m (10 ft. 11 in.)	3.32 m (10 ft. 11 in.)	3.49 m (11 ft. 6 in.)	3.49 m (11 ft. 6 in.)	3.49 m (11 ft. 6 in.)



Machine not exactly as shown. Illustrations for dimensioning purposes only.





Machine not exactly as shown. Illustrations for dimensioning purposes only.

# 2954D



Engine	2954D Road Builder	2954D Processor	2954D Live Heel	2954D Butt & Top	2954D Power Clam
Manufacturer and Model	John Deere 6068H				
Non-Road Emission Standards	EPA Tier 3/EU Stage IIIA				
Cylinders	6				
Engine Displacement	6.8 L (415 cu. in.)				
Net Peak Power (ISO 9249)	145 kW (194 hp)				
Off-Level Capacity	100% (45 deg.)				
Aspiration	Turbocharged, air-to-air charge air cooler				
<b>Cooling</b>					
Fan Drive	Cool-on-demand hydraulic-driven, suction-type, remote-mounted drive				
Engine Coolant Rating	-37 deg. C (-34 deg. F)				
<b>Powertrain</b>					
2-speed propel with automatic shift					
<b>Maximum Travel Speed</b>					
Low	1.6 km/h (1.0 mph)				
High	4.0 km/h (2.5 mph)				
Controls	Pilot levers, low effort; hydraulic pilot with shutoff lever				
<b>Hydraulics</b>					
Open center, load sensing					
<b>Main Pumps</b>					
Maximum Rated Flow x 2	248 L/m (65.5 gpm)				
<b>Pilot Pump (one gear)</b>					
Maximum Rated Flow	37 L/m (9.7 gpm)				
System Relief Pressure	3900 kPa (566 psi)				
<b>Secondary Pump (one gear)</b>					
Maximum Rated Flow	37 L/m (9.7 gpm)				
System Relief Pressure	20 600 kPa (2,988 psi)				
<b>System Operating Pressure</b>					
Implement Circuits	34 336 kPa (4,980 psi)				
Travel Circuits	34 336 kPa (4,980 psi)				
Swing Circuits	32 405 kPa (4,700 psi)				
Power Boost	36 266 kPa (5,260 psi)				
Auxiliary Hydraulic Flow	Adjustable through monitor				
<b>Cylinders</b>					
Heat-treated, chrome-plated, polished cylinder rods; hardened steel (replaceable bushings) pivot pins					
<b>Boom (2)</b>					
Bore	135 mm (5.3 in.)	135 mm (5.3 in.)	150 mm (5.9 in.)	150 mm (5.9 in.)	150 mm (5.9 in.)
Rod Diameter	95 mm (3.7 in.)	95 mm (3.7 in.)	105 mm (4.1 in.)	105 mm (4.1 in.)	105 mm (4.1 in.)
Stroke	1360 mm (53.5 in.)	1360 mm (53.5 in.)	1307 mm (51.5 in.)	1307 mm (51.5 in.)	1307 mm (51.5 in.)
<b>Arm (1)</b>					
Bore	150 mm (5.9 in.)	150 mm (5.9 in.)	170 mm (6.7 in.)	170 mm (6.7 in.)	170 mm (6.7 in.)
Rod Diameter	105 mm (4.1 in.)	105 mm (4.1 in.)	115 mm (4.5 in.)	115 mm (4.5 in.)	115 mm (4.5 in.)
Stroke	1659 mm (65.3 in.)	1659 mm (65.3 in.)	1740 mm (68.5 in.)	1740 mm (68.5 in.)	1740 mm (68.5 in.)
<b>Bucket (1)</b>					
Bore	135 mm (5.3 in.)	N/A	N/A	N/A	N/A
Rod Diameter	90 mm (3.5 in.)	N/A	N/A	N/A	N/A
Stroke	1070 mm (42.1 in.)	N/A	N/A	N/A	N/A
<b>Heel (1)</b>					
Bore	N/A	N/A	135 mm (5.3 in.)	N/A	N/A
Rod Diameter	N/A	N/A	90 mm (3.5 in.)	N/A	N/A
Stroke	N/A	N/A	1070 mm (42.1 in.)	N/A	N/A
<b>Tilt (1)</b>					
Bore	N/A	N/A	N/A	115 mm (4.5 in.)	115 mm (4.5 in.)
Rod Diameter	N/A	N/A	N/A	80 mm (3.1 in.)	80 mm (3.1 in.)
Stroke	N/A	N/A	N/A	1060 mm (41.7 in.)	1060 mm (41.7 in.)

Specifications are subject to change without notice.



Electrical	2954D Road Builder	2954D Processor	2954D Live Heel	2954D Butt & Top	2954D Power Clam
Voltage	24 volt				
Batteries	2 x 12 volt				
Reserve Capacity	440 min.				
Alternator Rating	80 amp				
Undercarriage					
Carrier Rollers (per side)	2				
Track Rollers (per side)	9				
Shoes, Double Grousers (per side)	48				
Drawbar Pull	30 812 kg (67,929 lb.)				
Track Adjustment	Hydraulic				
Track Guides	Front and center				
Upperstructure					
Counterweight, Standard	5140 kg (11,332 lb.)	5140 kg (11,332 lb.)	7510 kg (16,557 lb.)	7510 kg (16,557 lb.)	7510 kg (16,557 lb.)
Swing Mechanism					
Swing Speed	8.7 rpm	8.7 rpm	8.7 rpm	8.7 rpm	8.7 rpm
Swing Torque	111 194 Nm (81,950 lb.-ft.)	111 194 Nm (81,950 lb.-ft.)	111 194 Nm (81,950 lb.-ft.)	111 194 Nm (81,950 lb.-ft.)	111 194 Nm (81,950 lb.-ft.)
Ground Pressure					
700-mm (28 in.) Double-Grouser Shoes	55.0 kPa (7.98 psi)	59.3 kPa (8.59 psi)	65.9 kPa (9.56 psi)	66.0 kPa (9.57 psi)	66.0 kPa (9.57 psi)
Refill Capacities					
Fuel Tank	1050.0 L (277.0 gal.)	1050.0 L (277.0 gal.)	1050.0 L (277.0 gal.)	1050.0 L (277.0 gal.)	1050.0 L (277.0 gal.)
Cooling System	29.9 L (8.0 gal.)	29.9 L (8.0 gal.)	31.0 L (8.0 gal.)	31.0 L (8.0 gal.)	31.0 L (8.0 gal.)
Engine Oil with Filter	24.6 L (7.0 gal.)	24.6 L (7.0 gal.)	24.6 L (7.0 gal.)	24.6 L (7.0 gal.)	24.6 L (7.0 gal.)
Hydraulic Tank	148.0 L (39.0 gal.)	148.0 L (39.0 gal.)	148.0 L (39.0 gal.)	148.0 L (39.0 gal.)	148.0 L (39.0 gal.)
Hydraulic System	280.0 L (74.0 gal.)	280.0 L (74.0 gal.)	310.0 L (82.0 gal.)	310.0 L (82.0 gal.)	310.0 L (82.0 gal.)
Propel Gearbox (each)	8.5 L (9.0 qt.)	8.5 L (9.0 qt.)	8.5 L (9.0 qt.)	8.5 L (9.0 qt.)	8.5 L (9.0 qt.)
Swing Gearbox	17.0 L (18.0 qt.)	17.0 L (18.0 qt.)	17.0 L (18.0 qt.)	17.0 L (18.0 qt.)	17.0 L (18.0 qt.)
Pump Drive Gearbox	1.1 L (1.2 qt.)	1.1 L (1.2 qt.)	1.1 L (1.2 qt.)	1.1 L (1.2 qt.)	1.1 L (1.2 qt.)
Operating Weights					
With 840-kg (1,818 lb.) full fuel tank, 79-kg (175 lb.) operator, and 700-mm (28 in.) double-grouser shoes	5140-kg (11,332 lb.) counterweight; 1.34-m <sup>3</sup> (1.75 cu. yd.), 1065-mm (42 in.), 1034-kg (2,279 lb.) bucket; and 3.11-m (10 ft. 2 in.) arm	5140-kg (11,332 lb.) counterweight and 3450-kg (7,600 lb.) processor head	7510-kg (16,557 lb.) counterweight and 1090-kg (2,400 lb.) grapple	7510-kg (16,557 lb.) counterweight and 2267-kg (5,000 lb.) grapple	7510-kg (16,557 lb.) counterweight and 2267-kg (5,000 lb.) grapple
SAE Operating Weight	34 253 kg (75,515 lb.)	36 900 kg (81,351 lb.)	41 050 kg (90,500 lb.)	41 100 kg (90,610 lb.)	41 100 kg (90,610 lb.)

**Lift Capacity — 2954D Road Builder with 3.11-m (10 ft. 2 in.) arm, 1034-kg (2,279 lb.) bucket, and 700-mm (28 in.) shoes**

Load Point Height	3.1 m (10 ft.)		4.6 m (15 ft.)		6.1 m (20 ft.)		7.6 m (25 ft.)		9.1 m (30 ft.)	
	Over front	Over side	Over front	Over side	Over front	Over side	Over front	Over side	Over front	Over side
6.1 m (20 ft.)							<b>4586 kg</b> <b>(10,110 lb.)</b>	<b>4586 kg</b> <b>(10,110 lb.)</b>		
4.6 m (15 ft.)					<b>5334 kg</b> <b>(11,760 lb.)</b>	<b>5334 kg</b> <b>(11,760 lb.)</b>	<b>4990 kg</b> <b>(11,000 lb.)</b>	4980 kg (10,980 lb.)	<b>3788 kg</b> <b>(8,350 lb.)</b>	3529 kg (7,780 lb.)
3.1 m (10 ft.)			<b>9290 kg</b> <b>(20,480 lb.)</b>	<b>9290 kg</b> <b>(20,480 lb.)</b>	<b>6786 kg</b> <b>(14,960 lb.)</b>	<b>6786 kg</b> <b>(14,960 lb.)</b>	<b>5715 kg</b> <b>(12,600 lb.)</b>	4758 kg (10,490 lb.)	<b>5230 kg</b> <b>(11,530 lb.)</b>	3443 kg (7,590 lb.)
1.5 m (5 ft.)			<b>12 388 kg</b> <b>(27,310 lb.)</b>	9789 kg (21,580 lb.)	<b>8310 kg</b> <b>(18,320 lb.)</b>	6405 kg (14,120 lb.)	<b>6545 kg</b> <b>(14,430 lb.)</b>	4527 kg (9,980 lb.)	<b>5647 kg</b> <b>(12,450 lb.)</b>	3325 kg (7,330 lb.)
Ground Line			<b>12 973 kg</b> <b>(28,600 lb.)</b>	9403 kg (20,730 lb.)	<b>9421 kg</b> <b>(20,770 lb.)</b>	6096 kg (13,440 lb.)	<b>7239 kg</b> <b>(15,960 lb.)</b>	4336 kg (9,560 lb.)	5561 kg (12,260 lb.)	3230 kg (7,120 lb.)
-1.5 m (-5 ft.)	<b>6559 kg</b> <b>(14,460 lb.)</b>	<b>6559 kg</b> <b>(14,460 lb.)</b>	<b>13 730 kg</b> <b>(30,270 lb.)</b>	9340 kg (20,590 lb.)	<b>9925 kg</b> <b>(21,880 lb.)</b>	5956 kg (13,130 lb.)	7317 kg (16,130 lb.)	4237 kg (9,340 lb.)	5516 kg (12,160 lb.)	3189 kg (7,030 lb.)
-3.1 m (-10 ft.)	<b>10 564 kg</b> <b>(23,290 lb.)</b>	<b>10 564 kg</b> <b>(23,290 lb.)</b>	<b>13 186 kg</b> <b>(29,070 lb.)</b>	9417 kg (20,760 lb.)	<b>9784 kg</b> <b>(21,570 lb.)</b>	5956 kg (13,130 lb.)	7312 kg (16,120 lb.)	4232 kg (9,330 lb.)		
-4.6 m (-15 ft.)	<b>13 381 kg</b> <b>(29,500 lb.)</b>	<b>13 381 kg</b> <b>(29,500 lb.)</b>	<b>11 703 kg</b> <b>(25,800 lb.)</b>	9630 kg (21,230 lb.)	<b>8809 kg</b> <b>(19,420 lb.)</b>	6087 kg (13,420 lb.)				

**Lift Capacity — 2954D Processor with processor arm, 3450-kg (7,600 lb.) attachment, and 700-mm (28 in.) shoes**

Load Point Height	3.1 m (10 ft.)		4.6 m (15 ft.)		6.1 m (20 ft.)		7.6 m (25 ft.)		9.1 m (30 ft.)	
	Over front	Over side	Over front	Over side	Over front	Over side	Over front	Over side	Over front	Over side
9.1 m (30 ft.)					<b>2449 kg</b> <b>(5,400 lb.)</b>	<b>2449 kg</b> <b>(5,400 lb.)</b>				
7.6 m (25 ft.)					<b>2223 kg</b> <b>(4,900 lb.)</b>	<b>2223 kg</b> <b>(4,900 lb.)</b>	<b>1814 kg</b> <b>(4,000 lb.)</b>	<b>1814 kg</b> <b>(4,000 lb.)</b>		
6.1 m (20 ft.)					<b>2722 kg</b> <b>(6,000 lb.)</b>	<b>2722 kg</b> <b>(6,000 lb.)</b>	<b>2722 kg</b> <b>(6,000 lb.)</b>	<b>2722 kg</b> <b>(6,000 lb.)</b>		
4.6 m (15 ft.)	<b>7348 kg</b> <b>(16,200 lb.)</b>	<b>7348 kg</b> <b>(16,200 lb.)</b>	<b>4808 kg</b> <b>(10,600 lb.)</b>	<b>4808 kg</b> <b>(10,600 lb.)</b>	<b>3765 kg</b> <b>(8,300 lb.)</b>	<b>3765 kg</b> <b>(8,300 lb.)</b>	<b>3221 kg</b> <b>(7,100 lb.)</b>	<b>3221 kg</b> <b>(7,100 lb.)</b>	<b>1588 kg</b> <b>(3,500 lb.)</b>	<b>1588 kg</b> <b>(3,500 lb.)</b>
3.1 m (10 ft.)	<b>15 059 kg</b> <b>(33,200 lb.)</b>	<b>15 059 kg</b> <b>(33,200 lb.)</b>	<b>7575 kg</b> <b>(16,700 lb.)</b>	<b>7575 kg</b> <b>(16,700 lb.)</b>	<b>5126 kg</b> <b>(11,300 lb.)</b>	<b>5126 kg</b> <b>(11,300 lb.)</b>	<b>3946 kg</b> <b>(8,700 lb.)</b>	<b>3946 kg</b> <b>(8,700 lb.)</b>	<b>2994 kg</b> <b>(6,600 lb.)</b>	<b>2994 kg</b> <b>(6,600 lb.)</b>
1.5 m (5 ft.)	<b>19 006 kg</b> <b>(41,900 lb.)</b>	<b>19 006 kg</b> <b>(41,900 lb.)</b>	<b>9979 kg</b> <b>(22,000 lb.)</b>	<b>9979 kg</b> <b>(22,000 lb.)</b>	<b>6396 kg</b> <b>(14,100 lb.)</b>	<b>6396 kg</b> <b>(14,100 lb.)</b>	<b>4672 kg</b> <b>(10,300 lb.)</b>	4355 kg (9,600 lb.)	<b>3674 kg</b> <b>(8,100 lb.)</b>	2858 kg (6,300 lb.)
Ground Line	<b>19 323 kg</b> <b>(42,600 lb.)</b>	<b>19 323 kg</b> <b>(42,600 lb.)</b>	<b>11 249 kg</b> <b>(24,800 lb.)</b>	11 204 kg (24,700 lb.)	<b>7348 kg</b> <b>(16,200 lb.)</b>	6577 kg (14,500 lb.)	<b>5262 kg</b> <b>(11,600 lb.)</b>	4218 kg (9,300 lb.)	<b>3039 kg</b> <b>(6,700 lb.)</b>	2812 kg (6,200 lb.)
-1.5 m (-5 ft.)	<b>18 597 kg</b> <b>(41,000 lb.)</b>	<b>18 597 kg</b> <b>(41,000 lb.)</b>	<b>11 567 kg</b> <b>(25,500 lb.)</b>	11 113 kg (24,500 lb.)	<b>7757 kg</b> <b>(17,100 lb.)</b>	6486 kg (14,300 lb.)	<b>5534 kg</b> <b>(12,200 lb.)</b>	4128 kg (9,100 lb.)		
-3.1 m (-10 ft.)	<b>16 783 kg</b> <b>(37,000 lb.)</b>	<b>16 783 kg</b> <b>(37,000 lb.)</b>	<b>10 977 kg</b> <b>(24,200 lb.)</b>	<b>10 977 kg</b> <b>(24,200 lb.)</b>	<b>7484 kg</b> <b>(16,500 lb.)</b>	6486 kg (14,300 lb.)	<b>5171 kg</b> <b>(11,400 lb.)</b>	4173 kg (9,200 lb.)		
-4.6 m (-15 ft.)	<b>14 288 kg</b> <b>(31,500 lb.)</b>	<b>14 288 kg</b> <b>(31,500 lb.)</b>	<b>9344 kg</b> <b>(20,600 lb.)</b>	<b>9344 kg</b> <b>(20,600 lb.)</b>	<b>6124 kg</b> <b>(13,500 lb.)</b>	<b>6124 kg</b> <b>(13,500 lb.)</b>				

Attachment weight is included when calculating the lift capacities.

**Boldface** type indicates hydraulic-limited capacities with power boost; lightface type indicates stability-limited capacities. Figures do not exceed 87 percent of hydraulic capacities or 75 percent of weight needed to tip machine.

**Lift Capacity — 2954D Live Heel with 1090-kg (2,400 lb.) grapple and 700-mm (28 in.) shoes**

Load Point Height	4.6 m (15 ft.)		6.1 m (20 ft.)		7.6 m (25 ft.)		9.1 m (30 ft.)		10.7 m (35 ft.)		12.2 m (40 ft.)	
	Over front	Over side	Over front	Over side	Over front	Over side	Over front	Over side	Over front	Over side	Over front	Over side
13.7 m (45 ft.)	<b>12 474 kg</b> (27,500 lb.)	<b>12 474 kg</b> (27,500 lb.)										
12.2 m (40 ft.)	<b>11 884 kg</b> (26,200 lb.)	<b>11 884 kg</b> (26,200 lb.)	10 433 kg (23,000 lb.)	10 342 kg (22,800 lb.)								
10.7 m (35 ft.)			8891 kg (19,600 lb.)	8891 kg (19,600 lb.)	8029 kg (17,700 lb.)	7348 kg (16,200 lb.)	6895 kg (15,200 lb.)	5489 kg (12,100 lb.)				
9.1 m (30 ft.)			8573 kg (18,900 lb.)	8573 kg (18,900 lb.)	7620 kg (16,800 lb.)	7620 kg (16,800 lb.)	6849 kg (15,100 lb.)	5216 kg (11,500 lb.)				
7.6 m (25 ft.)			8709 kg (19,200 lb.)	8709 kg (19,200 lb.)	7666 kg (16,900 lb.)	7666 kg (16,900 lb.)	6759 kg (14,900 lb.)	5443 kg (12,000 lb.)	<b>5851 kg</b> (12,900 lb.)	4173 kg (9,200 lb.)		
6.1 m (20 ft.)			9389 kg (20,700 lb.)	9389 kg (20,700 lb.)	7983 kg (17,600 lb.)	7802 kg (17,200 lb.)	6895 kg (15,200 lb.)	5443 kg (12,000 lb.)	<b>5851 kg</b> (12,900 lb.)	4037 kg (8,900 lb.)		
4.6 m (15 ft.)			10 387 kg (22,900 lb.)	10 387 kg (22,900 lb.)	8528 kg (18,800 lb.)	7575 kg (16,700 lb.)	<b>7076 kg</b> (15,600 lb.)	5352 kg (11,800 lb.)	5897 kg (13,000 lb.)	4037 kg (8,900 lb.)	6700 kg (10,100 lb.)	3039 kg (6,700 lb.)
3.1 m (10 ft.)			10 977 kg (24,200 lb.)	10 977 kg (24,200 lb.)	9027 kg (19,900 lb.)	7258 kg (16,000 lb.)	<b>7258 kg</b> (16,000 lb.)	5216 kg (11,500 lb.)	5851 kg (12,900 lb.)	3992 kg (8,800 lb.)	4536 kg (10,000 lb.)	2994 kg (6,600 lb.)
1.5 m (5 ft.)					9344 kg (20,600 lb.)	6985 kg (15,400 lb.)	<b>7348 kg</b> (16,200 lb.)	5171 kg (11,400 lb.)	5761 kg (12,700 lb.)	3901 kg (8,600 lb.)	<b>4355 kg</b> (9,600 lb.)	2948 kg (6,500 lb.)
Ground Line			12 247 kg (27,000 lb.)	9707 kg (21,400 lb.)	9253 kg (20,400 lb.)	6804 kg (15,000 lb.)	<b>7212 kg</b> (15,900 lb.)	4990 kg (11,000 lb.)	<b>5579 kg</b> (12,300 lb.)	3765 kg (8,300 lb.)	<b>3583 kg</b> (7,900 lb.)	2903 kg (6,400 lb.)
-1.5 m (-5 ft.)			11 249 kg (24,800 lb.)	9389 kg (20,700 lb.)	8618 kg (19,000 lb.)	6577 kg (14,500 lb.)	<b>6623 kg</b> (14,600 lb.)	4853 kg (10,700 lb.)	<b>4853 kg</b> (10,700 lb.)	3719 kg (8,200 lb.)		
-3.1 m (-10 ft.)			9117 kg (20,100 lb.)	9117 kg (20,100 lb.)	7212 kg (15,900 lb.)	6486 kg (14,300 lb.)	5398 kg (11,900 lb.)	4808 kg (10,600 lb.)	<b>3357 kg</b> (7,400 lb.)	<b>3357 kg</b> (7,400 lb.)		

**Lift Capacity — 2954D Butt & Top with 2267-kg (5,000 lb.) grapple and 700-mm (28 in.) shoes**

Load Point Height	4.6 m (15 ft.)		6.1 m (20 ft.)		7.6 m (25 ft.)		9.1 m (30 ft.)		10.7 m (35 ft.)	
	Over front	Over side	Over front	Over side	Over front	Over side	Over front	Over side	Over front	Over side
12.2 m (40 ft.)	<b>13 154 kg</b> (29,000 lb.)	<b>13 154 kg</b> (29,000 lb.)								
10.7 m (35 ft.)	<b>10 977 kg</b> (24,200 lb.)	<b>10 977 kg</b> (24,200 lb.)	9253 kg (20,400 lb.)	9253 kg (20,400 lb.)						
9.1 m (30 ft.)			8664 kg (19,100 lb.)	8664 kg (19,100 lb.)	7620 kg (16,800 lb.)	7121 kg (15,700 lb.)				
7.6 m (25 ft.)			8709 kg (19,200 lb.)	8709 kg (19,200 lb.)	7530 kg (16,600 lb.)	7167 kg (15,800 lb.)	<b>6532 kg</b> (14,400 lb.)	4853 kg (10,700 lb.)		
6.1 m (20 ft.)	<b>11 476 kg</b> (25,300 lb.)	<b>11 476 kg</b> (25,300 lb.)	9253 kg (20,400 lb.)	9253 kg (20,400 lb.)	7757 kg (17,100 lb.)	7031 kg (15,500 lb.)	<b>6532 kg</b> (14,400 lb.)	4808 kg (10,600 lb.)		
4.6 m (15 ft.)	<b>13 426 kg</b> (29,600 lb.)	<b>13 426 kg</b> (29,600 lb.)	10 161 kg (22,400 lb.)	10 161 kg (22,400 lb.)	8165 kg (18,000 lb.)	6804 kg (15,000 lb.)	<b>6668 kg</b> (14,700 lb.)	4717 kg (10,400 lb.)	5126 kg (11,300 lb.)	3311 kg (7,300 lb.)
3.1 m (10 ft.)			11 113 kg (24,500 lb.)	9707 kg (21,400 lb.)	8528 kg (18,800 lb.)	6486 kg (14,300 lb.)	<b>6759 kg</b> (14,900 lb.)	4581 kg (10,100 lb.)	5080 kg (11,200 lb.)	3266 kg (7,200 lb.)
1.5 m (5 ft.)			11 657 kg (25,700 lb.)	9163 kg (20,200 lb.)	8664 kg (19,100 lb.)	6214 kg (13,700 lb.)	<b>6623 kg</b> (14,600 lb.)	4400 kg (9,700 lb.)	<b>4745 kg</b> (10,460 lb.)	3175 kg (7,000 lb.)
Ground Line	<b>15 921 kg</b> (35,100 lb.)	14 243 kg (31,400 lb.)	11 295 kg (24,900 lb.)	8800 kg (19,400 lb.)	<b>8346 kg</b> (18,400 lb.)	5987 kg (13,200 lb.)	<b>6124 kg</b> (13,500 lb.)	4309 kg (9,500 lb.)	<b>3810 kg</b> (8,400 lb.)	3175 kg (7,000 lb.)
-1.5 m (-5 ft.)	<b>13 472 kg</b> (29,700 lb.)	<b>13 472 kg</b> (29,700 lb.)	9934 kg (21,900 lb.)	8573 kg (18,900 lb.)	7258 kg (16,000 lb.)	5851 kg (12,900 lb.)	<b>4990 kg</b> (11,000 lb.)	4218 kg (9,300 lb.)		
-3.1 m (-10 ft.)	9707 kg (21,400 lb.)	9707 kg (21,400 lb.)	7439 kg (16,400 lb.)	7439 kg (16,400 lb.)	5216 kg (11,500 lb.)	5216 kg (11,500 lb.)				

Attachment weight is included when calculating the lift capacities.

**Boldface** type indicates hydraulic-limited capacities with power boost; lightface type indicates stability-limited capacities.

Figures do not exceed 87 percent of hydraulic capacities or 75 percent of weight needed to tip machine.

**Lift Capacity — 2954D Power Clam with 2267-kg (5,000 lb.) grapple and 700-mm (28 in.) shoes**

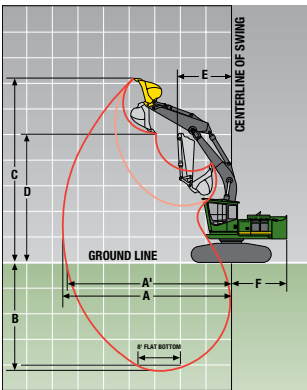
Load Point Height	4.6 m (15 ft.)		6.1 m (20 ft.)		7.6 m (25 ft.)		9.1 m (30 ft.)		10.7 m (35 ft.)	
	Over front	Over side	Over front	Over side	Over front	Over side	Over front	Over side	Over front	Over side
12.2 m (40 ft.)	<b>13 154 kg</b> (29,000 lb.)	<b>13 154 kg</b> (29,000 lb.)								
10.7 m (35 ft.)	<b>10 977 kg</b> (24,200 lb.)	<b>10 977 kg</b> (24,200 lb.)	<b>9253 kg</b> (20,400 lb.)	<b>9253 kg</b> (20,400 lb.)						
9.1 m (30 ft.)			<b>8664 kg</b> (19,100 lb.)	<b>8664 kg</b> (19,100 lb.)	<b>7620 kg</b> (16,800 lb.)	<b>7121 kg</b> (15,700 lb.)				
7.6 m (25 ft.)			<b>8709 kg</b> (19,200 lb.)	<b>8709 kg</b> (19,200 lb.)	<b>7530 kg</b> (16,600 lb.)	<b>7167 kg</b> (15,800 lb.)	<b>6532 kg</b> (14,400 lb.)	<b>4853 kg</b> (10,700 lb.)		
6.1 m (20 ft.)	<b>11 476 kg</b> (25,300 lb.)	<b>11 476 kg</b> (25,300 lb.)	<b>9253 kg</b> (20,400 lb.)	<b>9253 kg</b> (20,400 lb.)	<b>7757 kg</b> (17,100 lb.)	<b>7031 kg</b> (15,500 lb.)	<b>6532 kg</b> (14,400 lb.)	<b>4808 kg</b> (10,600 lb.)		
4.6 m (15 ft.)	<b>13 426 kg</b> (29,600 lb.)	<b>13 426 kg</b> (29,600 lb.)	<b>10 161 kg</b> (22,400 lb.)	<b>10 161 kg</b> (22,400 lb.)	<b>8165 kg</b> (18,000 lb.)	<b>6804 kg</b> (15,000 lb.)	<b>6668 kg</b> (14,700 lb.)	<b>4717 kg</b> (10,400 lb.)	<b>5126 kg</b> (11,300 lb.)	<b>3311 kg</b> (7,300 lb.)
3.1 m (10 ft.)			<b>11 113 kg</b> (24,500 lb.)	<b>9707 kg</b> (21,400 lb.)	<b>8528 kg</b> (18,800 lb.)	<b>6486 kg</b> (14,300 lb.)	<b>6759 kg</b> (14,900 lb.)	<b>4581 kg</b> (10,100 lb.)	<b>5080 kg</b> (11,200 lb.)	<b>3266 kg</b> (7,200 lb.)
1.5 m (5 ft.)			<b>11 657 kg</b> (25,700 lb.)	<b>9163 kg</b> (20,200 lb.)	<b>8664 kg</b> (19,100 lb.)	<b>6214 kg</b> (13,700 lb.)	<b>6623 kg</b> (14,600 lb.)	<b>4400 kg</b> (9,700 lb.)	<b>4745 kg</b> (10,460 lb.)	<b>3175 kg</b> (7,000 lb.)
Ground Line	<b>15 921 kg</b> (35,100 lb.)	<b>14 243 kg</b> (31,400 lb.)	<b>11 295 kg</b> (24,900 lb.)	<b>8800 kg</b> (19,400 lb.)	<b>8346 kg</b> (18,400 lb.)	<b>5987 kg</b> (13,200 lb.)	<b>6124 kg</b> (13,500 lb.)	<b>4309 kg</b> (9,500 lb.)	<b>3810 kg</b> (8,400 lb.)	<b>3175 kg</b> (7,000 lb.)
-1.5 m (-5 ft.)	<b>13 472 kg</b> (29,700 lb.)	<b>13 472 kg</b> (29,700 lb.)	<b>9934 kg</b> (21,900 lb.)	<b>8573 kg</b> (18,900 lb.)	<b>7258 kg</b> (16,000 lb.)	<b>5851 kg</b> (12,900 lb.)	<b>4990 kg</b> (11,000 lb.)	<b>4218 kg</b> (9,300 lb.)		
-3.1 m (-10 ft.)	<b>9707 kg</b> (21,400 lb.)	<b>9707 kg</b> (21,400 lb.)	<b>7439 kg</b> (16,400 lb.)	<b>7439 kg</b> (16,400 lb.)	<b>5216 kg</b> (11,500 lb.)	<b>5216 kg</b> (11,500 lb.)				

Attachment weight is included when calculating the lift capacities.

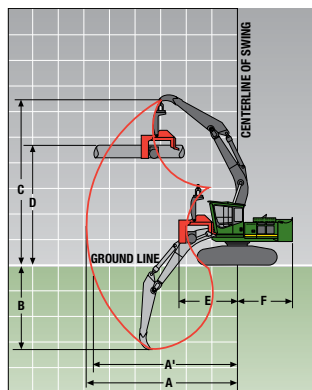
**Boldface** type indicates hydraulic-limited capacities with power boost; **lightface** type indicates stability-limited capacities. Figures do not exceed 87 percent of hydraulic capacities or 75 percent of weight needed to tip machine.

Operating Dimensions	2954D Road Builder	2954D Processor	2954D Live Heel	2954D Butt & Top	2954D Power Clam
Arm Length	3.11 m (10 ft. 2 in.)	3.58 m (11 ft. 9 in.)	N/A	N/A	N/A
Arm Force (with 700-mm [28 in.] double-grouser shoes and power boost)	131.3 kN (29,517 lb.)	N/A	N/A	N/A	N/A
Bucket Digging Force (with 700-mm [28 in.] double-grouser shoes and power boost)	166.7 kN (37,478 lb.)	N/A	N/A	N/A	N/A
Lifting Capacity Over Front at Ground Level, 6.1-m (20 ft.) Reach (with power boost) and Attachment	9422 kg (20,772 lb.)	7348 kg (16,200 lb.)	12 260 kg (27,029 lb.)	11 295 kg (24,900 lb.)	11 295 kg (24,900 lb.)
<b>A</b> Maximum Reach	10.65 m (34 ft. 11 in.)	9.37 m (30 ft. 9 in.)	12.60 m (41 ft. 4 in.)	11.12 m (36 ft. 6 in.)	11.12 m (36 ft. 6 in.)
<b>A'</b> Maximum Reach at Ground Level	10.41 m (34 ft. 2 in.)	9.09 m (29 ft. 10 in.)	12.39 m (40 ft. 8 in.)	11.01 m (36 ft. 2 in.)	11.01 m (36 ft. 2 in.)
<b>B</b> Maximum Depth	6.70 m (22 ft. 0 in.)	4.97 m (16 ft. 4 in.)	5.05 m (16 ft. 7 in.)	3.59 m (11 ft. 9 in.)	3.59 m (11 ft. 9 in.)
<b>C</b> Maximum Height	10.87 m (35 ft. 8 in.)	N/A	14.54 m (47 ft. 9 in.)	13.12 m (43 ft. 0 in.)	13.12 m (43 ft. 0 in.)
<b>D</b> Maximum Dumping Height	7.93 m (26 ft. 0 in.)	N/A	N/A	N/A	N/A
Maximum Log-Level Height	N/A	7.62 m (25 ft. 0 in.)	9.31 m (30 ft. 6 in.)	10.35 m (33 ft. 11 in.)	8.97 m (29 ft. 5 in.)
<b>E</b> Minimum Swing Radius	3.52 m (11 ft. 7 in.)	3.53 m (11 ft. 7 in.)	4.92 m (16 ft. 2 in.)	5.03 m (16 ft. 6 in.)	5.03 m (16 ft. 6 in.)
<b>F</b> Tail Swing Radius	3.32 m (10 ft. 11 in.)	3.32 m (10 ft. 11 in.)	3.36 m (11 ft. 0 in.)	3.36 m (11 ft. 0 in.)	3.36 m (11 ft. 0 in.)

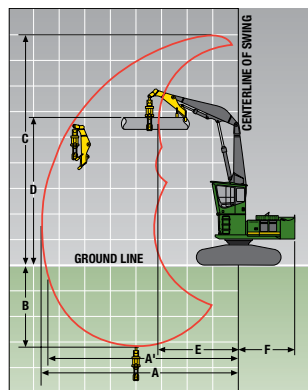
2954D Road-Builder Envelope



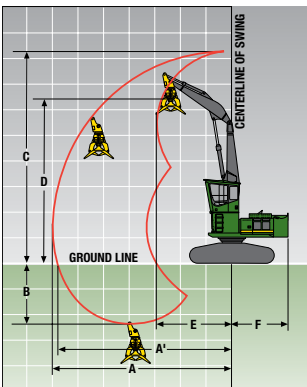
2954D Processor Envelope



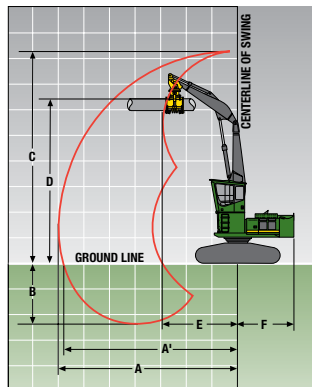
2954D Live-Heel Envelope



2954D Butt & Top Envelope

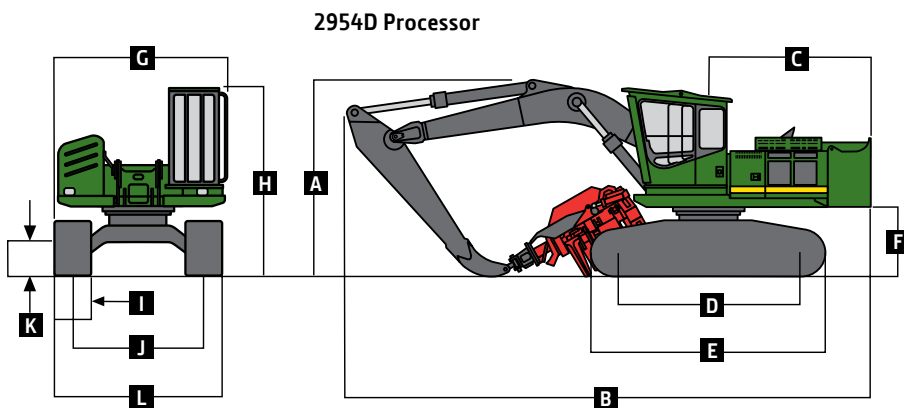
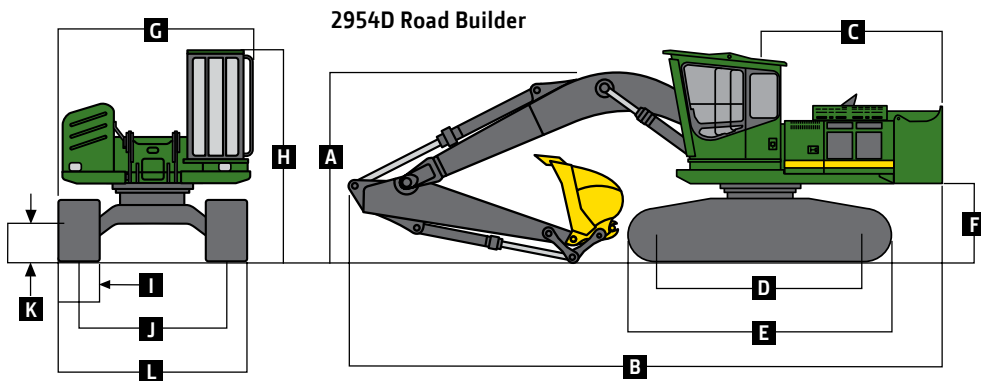


2954D Power-Clam Envelope



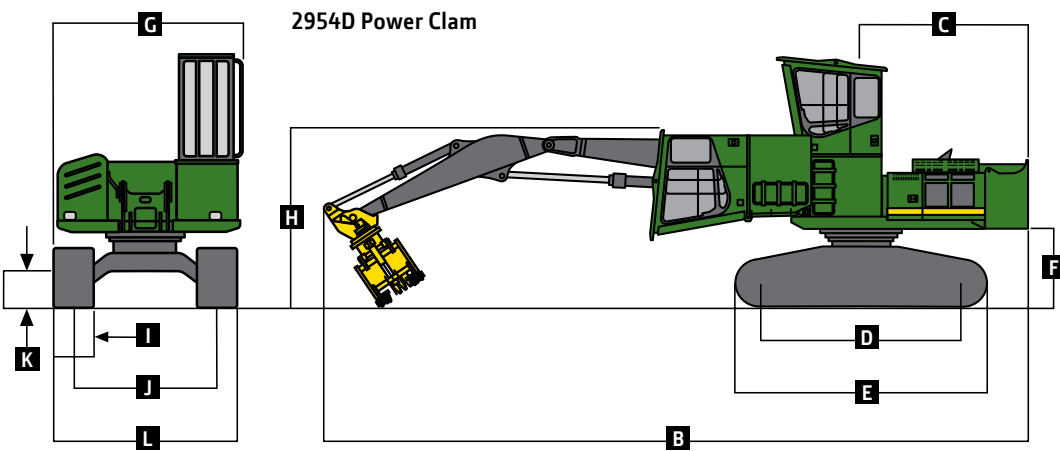
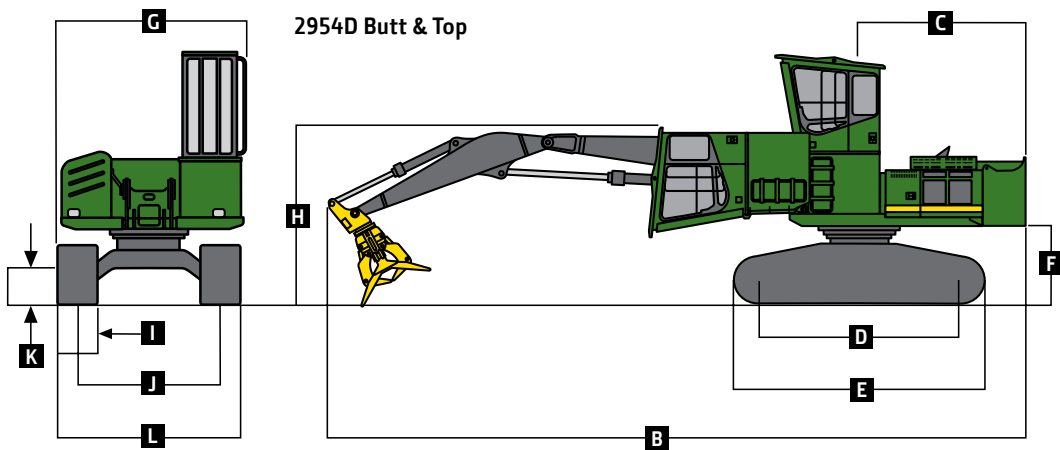
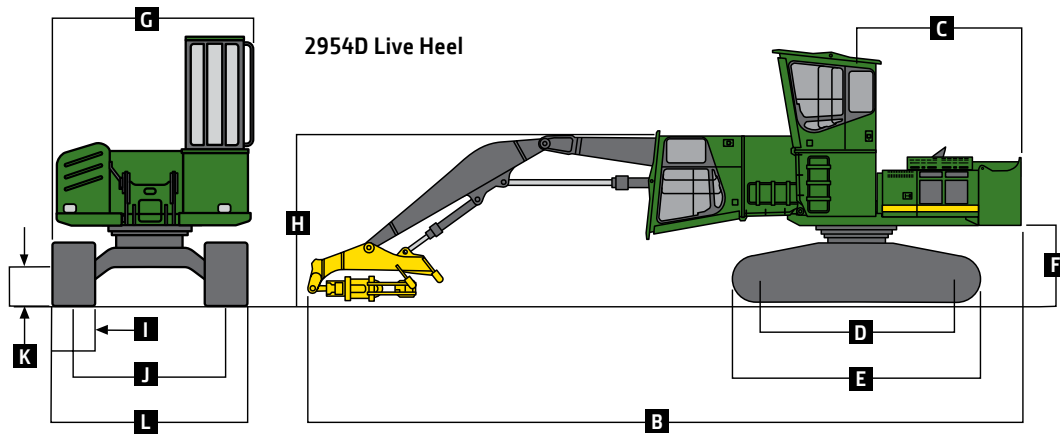
Machine not exactly as shown. Illustrations for dimensioning purposes only.

Machine Dimensions	2954D Road Builder	2954D Processor	2954D Live Heel	2954D Butt & Top	2954D Power Clam
<b>A</b> Height	3.82 m (12 ft. 6 in.)	4.01 m (13 ft. 2 in.)	N/A	N/A	N/A
<b>B</b> Overall Length	10.86 m (35 ft. 8 in.)	10.77 m (35 ft. 4 in.)	15.21 m (49 ft. 11 in.)	15.09 m (49 ft. 6 in.)	15.09 m (49 ft. 6 in.)
<b>C</b> Rear-End Length / Swing Radius	3.32 m (10 ft. 11 in.)	3.32 m (10 ft. 11 in.)	3.32 m (10 ft. 11 in.)	3.32 m (10 ft. 11 in.)	3.32 m (10 ft. 11 in.)
<b>D</b> Distance Between Idler / Sprocket Centerline	4.05 m (13 ft. 4 in.)	4.05 m (13 ft. 4 in.)	4.05 m (13 ft. 4 in.)	4.05 m (13 ft. 4 in.)	4.05 m (13 ft. 4 in.)
<b>E</b> Undercarriage Length	5.01 m (16 ft. 5 in.)	5.01 m (16 ft. 5 in.)	5.01 m (16 ft. 5 in.)	5.01 m (16 ft. 5 in.)	5.01 m (16 ft. 5 in.)
<b>F</b> Counterweight Clearance	1.49 m (4 ft. 11 in.)	1.49 m (4 ft. 11 in.)	1.49 m (4 ft. 11 in.)	1.49 m (4 ft. 11 in.)	1.49 m (4 ft. 11 in.)
<b>G</b> Upperstructure Width	3.43 m (11 ft. 3 in.)	3.43 m (11 ft. 3 in.)	3.43 m (11 ft. 3 in.)	3.43 m (11 ft. 3 in.)	3.43 m (11 ft. 3 in.)
<b>H</b> Cab Height	3.85 m (12 ft. 8 in.)	3.85 m (12 ft. 8 in.)	3.55 m (11 ft. 8 in.)	3.55 m (11 ft. 8 in.)	3.55 m (11 ft. 8 in.)
<b>I</b> Track Width (with 700-mm [28 in.] double-grouser shoes)	0.70 m (2 ft. 4 in.)	0.70 m (2 ft. 4 in.)	0.70 m (2 ft. 4 in.)	0.70 m (2 ft. 4 in.)	0.70 m (2 ft. 4 in.)
<b>J</b> Gauge Width	2.69 m (8 ft. 10 in.)	2.69 m (8 ft. 10 in.)	2.92 m (9 ft. 7 in.)	2.92 m (9 ft. 7 in.)	2.92 m (9 ft. 7 in.)
<b>K</b> Ground Clearance	0.71 m (2 ft. 4 in.)	0.71 m (2 ft. 4 in.)	0.78 m (2 ft. 7 in.)	0.78 m (2 ft. 7 in.)	0.78 m (2 ft. 7 in.)
<b>L</b> Undercarriage Width	3.39 m (11 ft. 2 in.)	3.39 m (11 ft. 2 in.)	3.62 m (11 ft. 11 in.)	3.62 m (11 ft. 11 in.)	3.62 m (11 ft. 11 in.)



Machine not exactly as shown. Illustrations for dimensioning purposes only.





Machine not exactly as shown. Illustrations for dimensioning purposes only.

# 3754D



Engine	3754D Road Builder	3754D Live Heel	3754D Butt & Top
Manufacturer and Model	John Deere 6090H		
Non-Road Emission Standards	EPA Tier 3/EU Stage IIIA		
Cylinders	6		
Engine Displacement	9.0 L (549 cu. in.)		
Net Peak Power (ISO 9249)	220 kW (296 hp)		
Off-Level Capacity	100% (45 deg.)		
Aspiration	Turbocharged, air-to-air charge air cooler		
<b>Cooling</b>			
Fan Drive	Cool-on-demand hydraulic-driven, suction-type, remote-mounted drive		
Engine Coolant Rating	-37 deg. C (-34 deg. F)		
<b>Powertrain</b>			
2-speed propel with automatic shift			
Maximum Travel Speed			
Low	3.4 km/h (2.1 mph)		
High	5.5 km/h (3.4 mph)		
Controls	Pilot levers, short stroke, low effort; hydraulic pilot with shutoff lever		
<b>Hydraulics</b>			
Open center, load sensing			
Main Pumps			
Maximum Rated Flow x 2	304 L/m (80.3 gpm)		
Pilot Pump (one gear)			
Maximum Rated Flow	34 L/m (8.9 gpm)		
System Relief Pressure	3900 kPa (566 psi)		
Maximum Secondary Pump Flow			
34 L/m (8.9 gpm)			
System Operating Pressure			
Implement Circuits	34 300 kPa (4,975 psi)		
Travel Circuits	34 300 kPa (4,975 psi)		
Swing Circuits	34 300 kPa (4,975 psi)		
Power Boost	36 300 kPa (5,265 psi)		
Pilot Circuits at 34 L/m (8.9 gpm)	3900 kPa (566 psi)		
<b>Cylinders</b>			
Heat-treated, chrome-plated, polished cylinder rods; hardened steel (replaceable bushings) pivot pins			
Boom (2)			
Bore	145 mm (5.7 in.)	170 mm (6.7 in.)	170 mm (6.7 in.)
Rod Diameter	100 mm (3.9 in.)	115 mm (4.5 in.)	115 mm (4.5 in.)
Stroke	1520 mm (59.8 in.)	1465 mm (57.7 in.)	1465 mm (57.7 in.)
Arm (1)			
Bore	170 mm (6.7 in.)	190 mm (7.5 in.)	190 mm (7.5 in.)
Rod Diameter	115 mm (4.5 in.)	130 mm (5.1 in.)	130 mm (5.1 in.)
Stroke	1740 mm (68.5 in.)	1700 mm (66.9 in.)	1700 mm (66.9 in.)
Bucket (1)			
Bore	140 mm (5.5 in.)	N/A	N/A
Rod Diameter	95 mm (3.7 in.)	N/A	N/A
Stroke	1250 mm (49.2 in.)	N/A	N/A
Heel (1)			
Bore	N/A	145 mm (5.7 in.)	N/A
Rod Diameter	N/A	95 mm (3.7 in.)	N/A
Stroke	N/A	1250 mm (49.2 in.)	N/A
Tilt (1)			
Bore	N/A	N/A	115 mm (4.53 in.)
Rod Diameter	N/A	N/A	80 mm (3.1 in.)
Stroke	N/A	N/A	1060 mm (41.7 in.)

Specifications are subject to change without notice.



Electrical	3754D Road Builder	3754D Live Heel	3754D Butt & Top
Voltage	24 volt		
Batteries	2 x 12 volt		
Reserve Capacity	440 min.		
Alternator Rating	80 amp		
Undercarriage			
Carrier Rollers (per side)	2		
Track Rollers (per side)	8		
Shoes, Double Grousers (per side)	49		
Drawbar Pull	36 102 kg (79,590 lb.)		
Track Adjustment	Hydraulic		
Track Guides	Front and center		
Swing Mechanism			
Swing Speed	11 rpm		
Swing Torque, Standard	111 194 Nm (81,950 lb.-ft.)		
Swing Torque, Optional	148 462 Nm (109,500 lb.-ft.)		
Ground Pressure			
700-mm (28 in.) Double-Grouser Shoes	63.8 kPa (9.26 psi)	74.5 kPa (10.80 psi)	74.5 kPa (10.80 psi)
Refill Capacities			
Fuel Tank	1050.0 L (277.0 gal.)	1050.0 L (277.0 gal.)	1050.0 L (277.0 gal.)
Cooling System	40.0 L (11.0 gal.)	40.0 L (11.0 gal.)	40.0 L (11.0 gal.)
Engine Oil with Filter	27.0 L (7.0 gal.)	27.0 L (7.0 gal.)	27.0 L (7.0 gal.)
Hydraulic Tank	195.0 L (52.0 gal.)	195.0 L (52.0 gal.)	195.0 L (52.0 gal.)
Hydraulic System	340.0 L (90.0 gal.)	367.0 L (97.0 gal.)	367.0 L (97.0 gal.)
Propel Gearbox (each)	9.2 L (9.7 qt.)	9.2 L (9.7 qt.)	9.2 L (9.7 qt.)
Swing Gearbox	17.0 L (18.0 qt.)	17.0 L (18.0 qt.)	17.0 L (18.0 qt.)
Pump Drive Gearbox	1.1 L (1.2 qt.)	1.1 L (1.2 qt.)	1.1 L (1.2 qt.)
Operating Weights			
With full fuel tank, 79-kg (175 lb.) operator, and 700-mm (28 in.) double-grouser shoes	6215-kg (13,702 lb.) counterweight; 1285-kg (2,832 lb.), 1220-mm (48 in.) riser and side-entry cab; 1.76-m <sup>3</sup> (2.3 cu. yd.), 1370-mm (54 in.), 1160-kg (2,557 lb.) bucket; and 3.2-m (10 ft. 6 in.) arm	8446-kg (18,620 lb.) counterweight; 1718-kg (3,788 lb.), 1220-mm (48 in.) riser and side-entry cab; and 998-kg (2,200 lb.) grapple	8446-kg (18,620 lb.) counterweight; 1718-kg (3,788 lb.), 1220-mm (48 in.) riser and side-entry cab; and 2245-kg (4,950 lb.) grapple
SAE Operating Weight	41 196 kg (90,882 lb.)	46 108 kg (101,651 lb.)	46 262 kg (101,990 lb.)

**Lift Capacity — 3754D Road Builder with 3.2-m (10 ft. 6 in.) arm, 1.76-m<sup>3</sup> (2.3 cu. yd.) bucket, and 700-mm (28 in.) shoes**

Load Point Height	3.1 m (10 ft.)		4.6 m (15 ft.)		6.1 m (20 ft.)		7.6 m (25 ft.)		9.1 m (30 ft.)	
	Over front	Over side	Over front	Over side	Over front	Over side	Over front	Over side	Over front	Over side
7.6 m (25 ft.)							<b>4536 kg</b> <b>(10,000 lb.)</b>	<b>4536 kg</b> <b>(10,000 lb.)</b>		
6.1 m (20 ft.)							<b>6640 kg</b> <b>(14,639 lb.)</b>	6307 kg (13,905 lb.)	<b>4296 kg</b> <b>(9,471 lb.)</b>	<b>4296 kg</b> <b>(9,471 lb.)</b>
4.6 m (15 ft.)							<b>7326 kg</b> <b>(16,151 lb.)</b>	6065 kg (13,371 lb.)	<b>6824 kg</b> <b>(15,044 lb.)</b>	4314 kg (9,511 lb.)
3.1 m (10 ft.)			<b>14 718 kg</b> <b>(32,448 lb.)</b>	12 700 kg (27,999 lb.)	<b>10 254 kg</b> <b>(22,606 lb.)</b>	8225 kg (18,133 lb.)	<b>8318 kg</b> <b>(18,338 lb.)</b>	5733 kg (12,639 lb.)	6894 kg (15,199 lb.)	4154 kg (9,158 lb.)
1.5 m (5 ft.)					<b>12 055 kg</b> <b>(26,577 lb.)</b>	7617 kg (16,793 lb.)	9034 kg (19,917 lb.)	5405 kg (11,916 lb.)	6703 kg (14,778 lb.)	3977 kg (8,768 lb.)
Ground Line			<b>8726 kg</b> <b>(19,238 lb.)</b>	<b>8726 kg</b> <b>(19,238 lb.)</b>	12 518 kg (27,597 lb.)	7243 kg (15,968 lb.)	8760 kg (19,312 lb.)	5158 kg (11,371 lb.)	6549 kg (14,438 lb.)	3836 kg (8,457 lb.)
-1.5 m (-5 ft.)	<b>7794 kg</b> <b>(17,183 lb.)</b>	<b>7794 kg</b> <b>(17,183 lb.)</b>	<b>8498 kg</b> <b>(18,735 lb.)</b>	<b>8498 kg</b> <b>(18,735 lb.)</b>	12 350 kg (27,227 lb.)	7097 kg (15,646 lb.)	8618 kg (18,999 lb.)	5031 kg (11,091 lb.)	6475 kg (14,275 lb.)	3769 kg (8,309 lb.)
-3.1 m (-10 ft.)	<b>10 828 kg</b> <b>(23,872 lb.)</b>	<b>10 828 kg</b> <b>(23,872 lb.)</b>	<b>11 045 kg</b> <b>(24,350 lb.)</b>	<b>11 045 kg</b> <b>(24,350 lb.)</b>	12 374 kg (27,280 lb.)	7118 kg (15,693 lb.)	8617 kg (18,997 lb.)	5030 kg (11,089 lb.)		
-4.6 m (-15 ft.)	<b>8345 kg</b> <b>(18,398 lb.)</b>	<b>8345 kg</b> <b>(18,398 lb.)</b>	<b>13 352 kg</b> <b>(29,436 lb.)</b>	11 622 kg (25,622 lb.)	<b>10 535 kg</b> <b>(23,226 lb.)</b>	7294 kg (16,081 lb.)	<b>7834 kg</b> <b>(17,271 lb.)</b>	5199 kg (11,462 lb.)		

**Lift Capacity — 3754D Live Heel with 998-kg (2,200 lb.) grapple and 700-mm (28 in.) shoes**

Load Point Height	4.6 m (15 ft.)		6.1 m (20 ft.)		7.6 m (25 ft.)		9.1 m (30 ft.)		10.7 m (35 ft.)		12.2 m (40 ft.)	
	Over front	Over side	Over front	Over side	Over front	Over side	Over front	Over side	Over front	Over side	Over front	Over side
12.2 m (40 ft.)			<b>14 601 kg</b> <b>(32,190 lb.)</b>	13 708 kg (30,220 lb.)	<b>11 639 kg</b> <b>(25,660 lb.)</b>	9643 kg (21,260 lb.)						
10.7 m (35 ft.)			<b>13 254 kg</b> <b>(29,220 lb.)</b>	<b>13 254 kg</b> <b>(29,220 lb.)</b>	<b>11 948 kg</b> <b>(26,340 lb.)</b>	9535 kg (21,020 lb.)	9689 kg (21,360 lb.)	6917 kg (15,250 lb.)				
9.1 m (30 ft.)			<b>12 959 kg</b> <b>(28,570 lb.)</b>	<b>12 959 kg</b> <b>(28,570 lb.)</b>	<b>11 576 kg</b> <b>(25,520 lb.)</b>	9870 kg (21,760 lb.)	9562 kg (21,080 lb.)	6795 kg (14,980 lb.)	7498 kg (16,530 lb.)	5298 kg (11,680 lb.)		
7.6 m (25 ft.)			<b>12 982 kg</b> <b>(28,620 lb.)</b>	<b>12 982 kg</b> <b>(28,620 lb.)</b>	<b>11 803 kg</b> <b>(26,020 lb.)</b>	9902 kg (21,830 lb.)	9712 kg (21,410 lb.)	6940 kg (15,300 lb.)	7103 kg (15,660 lb.)	4922 kg (10,850 lb.)		
6.1 m (20 ft.)			<b>13 281 kg</b> <b>(29,280 lb.)</b>	<b>13 281 kg</b> <b>(29,280 lb.)</b>	<b>12 383 kg</b> <b>(27,300 lb.)</b>	9766 kg (21,530 lb.)	9689 kg (21,360 lb.)	6913 kg (15,240 lb.)	7208 kg (15,890 lb.)	5026 kg (11,080 lb.)	5788 kg (12,760 lb.)	3983 kg (8,780 lb.)
4.6 m (15 ft.)			<b>16 134 kg</b> <b>(35,570 lb.)</b>	14 152 kg (31,200 lb.)	<b>13 168 kg</b> <b>(29,030 lb.)</b>	9489 kg (20,920 lb.)	9566 kg (21,090 lb.)	6799 kg (14,990 lb.)	7289 kg (16,070 lb.)	5103 kg (11,250 lb.)	5797 kg (12,780 lb.)	3992 kg (8,800 lb.)
3.1 m (10 ft.)			<b>13 431 kg</b> <b>(29,610 lb.)</b>	<b>13 431 kg</b> <b>(29,610 lb.)</b>	12 850 kg (28,330 lb.)	9135 kg (20,140 lb.)	9362 kg (20,640 lb.)	6609 kg (14,570 lb.)	7303 kg (16,100 lb.)	5112 kg (11,270 lb.)	5724 kg (12,620 lb.)	3919 kg (8,640 lb.)
1.5 m (5 ft.)			<b>18 239 kg</b> <b>(40,210 lb.)</b>	12 828 kg (28,280 lb.)	12 433 kg (27,410 lb.)	8754 kg (19,300 lb.)	9281 kg (20,460 lb.)	6532 kg (14,400 lb.)	7176 kg (15,820 lb.)	4994 kg (11,010 lb.)	5638 kg (12,430 lb.)	3837 kg (8,460 lb.)
Ground Line	<b>25 592 kg</b> <b>(56,420 lb.)</b>	19 119 kg (42,150 lb.)	17 550 kg (38,690 lb.)	12 107 kg (26,690 lb.)	12 215 kg (26,930 lb.)	8550 kg (18,850 lb.)	9076 kg (20,010 lb.)	6341 kg (13,980 lb.)	7008 kg (15,450 lb.)	4835 kg (10,660 lb.)	5566 kg (12,270 lb.)	3769 kg (8,310 lb.)
-1.5 m (-5 ft.)	<b>24 413 kg</b> <b>(53,820 lb.)</b>	18 207 kg (40,140 lb.)	17 092 kg (37,680 lb.)	11 698 kg (25,790 lb.)	11 902 kg (26,240 lb.)	8265 kg (18,220 lb.)	8891 kg (19,600 lb.)	6160 kg (13,580 lb.)	6904 kg (15,220 lb.)	4736 kg (10,440 lb.)	<b>5253 kg</b> <b>(11,580 lb.)</b>	3756 kg (8,280 lb.)
-3.1 m (-10 ft.)	<b>21 215 kg</b> <b>(46,770 lb.)</b>	17 881 kg (39,420 lb.)	<b>14 597 kg</b> <b>(32,180 lb.)</b>	11 576 kg (25,520 lb.)	<b>11 716 kg</b> <b>(25,830 lb.)</b>	8142 kg (17,950 lb.)	8800 kg (19,400 lb.)	6083 kg (13,410 lb.)	<b>6518 kg</b> <b>(14,370 lb.)</b>	4717 kg (10,400 lb.)		
-4.6 m (-15 ft.)	<b>16 125 kg</b> <b>(35,550 lb.)</b>	<b>16 125 kg</b> <b>(35,550 lb.)</b>	<b>12 519 kg</b> <b>(27,600 lb.)</b>	11 263 kg (24,830 lb.)	<b>8609 kg</b> <b>(18,980 lb.)</b>	8178 kg (18,030 lb.)	<b>6346 kg</b> <b>(13,990 lb.)</b>	6124 kg (13,500 lb.)				

Attachment weight is included when calculating the lift capacities.

**Boldface** type indicates hydraulic-limited capacities with power boost; **lightface** type indicates stability-limited capacities. Figures do not exceed 87 percent of hydraulic capacities or 75 percent of weight needed to tip machine.

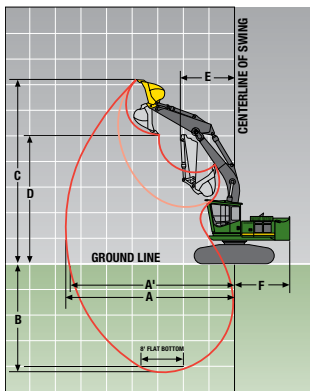
Lift Capacity — 3754D Butt & Top with 2540-kg (5,600 lb.) grapple and 700-mm (28 in.) shoes												
Load Point Height	4.6 m (15 ft.)		6.1 m (20 ft.)		7.6 m (25 ft.)		9.1 m (30 ft.)		10.7 m (35 ft.)		11.7 m (38.3 ft.)	
	Over front	Over side	Over front	Over side	Over front	Over side	Over front	Over side	Over front	Over side		
12.2 m (40 ft.)	<b>16 697 kg</b> <b>(36,810 lb.)</b>	<b>16 697 kg</b> <b>(36,810 lb.)</b>	<b>12 075 kg</b> <b>(26,620 lb.)</b>	<b>12 075 kg</b> <b>(26,620 lb.)</b>								
10.7 m (35 ft.)			<b>13 558 kg</b> <b>(29,890 lb.)</b>	<b>13 558 kg</b> <b>(29,890 lb.)</b>	<b>11 911 kg</b> <b>(26,260 lb.)</b>	9117 kg (20,100 lb.)						
9.1 m (30 ft.)			<b>13 064 kg</b> <b>(28,800 lb.)</b>	<b>13 064 kg</b> <b>(28,800 lb.)</b>	<b>11 621 kg</b> <b>(25,620 lb.)</b>	9367 kg (20,650 lb.)	9140 kg (20,150 lb.)	6387 kg (14,080 lb.)				
7.6 m (25 ft.)			<b>13 349 kg</b> <b>(29,430 lb.)</b>	<b>13 349 kg</b> <b>(29,430 lb.)</b>	<b>11 667 kg</b> <b>(25,720 lb.)</b>	9344 kg (20,600 lb.)	9249 kg (20,390 lb.)	6491 kg (14,310 lb.)				
6.1 m (20 ft.)	<b>13 935 kg</b> <b>(30,720 lb.)</b>	<b>13 935 kg</b> <b>(30,720 lb.)</b>	<b>14 302 kg</b> <b>(31,530 lb.)</b>	13 739 kg (30,290 lb.)	<b>12 125 kg</b> <b>(26,730 lb.)</b>	9149 kg (20,170 lb.)	9167 kg (20,210 lb.)	6414 kg (14,140 lb.)	6736 kg (14,850 lb.)	4563 kg (10,060 lb.)		
4.6 m (15 ft.)	<b>17 459 kg</b> <b>(38,490 lb.)</b>	<b>17 459 kg</b> <b>(38,490 lb.)</b>	<b>15 731 kg</b> <b>(34,680 lb.)</b>	13 141 kg (28,970 lb.)	12 533 kg (27,630 lb.)	8827 kg (19,460 lb.)	8995 kg (19,830 lb.)	6251 kg (13,780 lb.)	6686 kg (14,740 lb.)	4518 kg (9,960 lb.)		
3.1 m (10 ft.)			<b>17 178 kg</b> <b>(37,870 lb.)</b>	12 415 kg (27,370 lb.)	12 116 kg (26,710 lb.)	8441 kg (18,610 lb.)	8768 kg (19,330 lb.)	6037 kg (13,310 lb.)	6586 kg (14,520 lb.)	4423 kg (9,750 lb.)		
1.5 m (5 ft.)			17 155 kg (37,820 lb.)	11 730 kg (25,860 lb.)	11 716 kg (25,830 lb.)	8074 kg (17,800 lb.)	8550 kg (18,850 lb.)	5833 kg (12,860 lb.)	6482 kg (14,290 lb.)	4323 kg (9,530 lb.)	5493 kg (12,110 lb.)	3592 kg (7,920 lb.)
Ground Line	<b>24 231 kg</b> <b>(53,420 lb.)</b>	18 053 kg (39,800 lb.)	16 620 kg (36,640 lb.)	11 249 kg (24,800 lb.)	11 408 kg (25,150 lb.)	7788 kg (17,170 lb.)	8378 kg (18,470 lb.)	5670 kg (12,500 lb.)	6409 kg (14,130 lb.)	4255 kg (9,380 lb.)		
-1.5 m (-5 ft.)	<b>20 974 kg</b> <b>(46,240 lb.)</b>	17 772 kg (39,180 lb.)	<b>15 790 kg</b> <b>(34,810 lb.)</b>	11 009 kg (24,270 lb.)	11 231 kg (24,760 lb.)	7625 kg (16,810 lb.)	8292 kg (18,280 lb.)	5588 kg (12,320 lb.)	<b>5343 kg</b> <b>(11,780 lb.)</b>	4259 kg (9,390 lb.)		
-3.1 m (-10 ft.)	<b>15 894 kg</b> <b>(35,040 lb.)</b>	<b>15 894 kg</b> <b>(35,040 lb.)</b>	<b>12 474 kg</b> <b>(27,500 lb.)</b>	10 982 kg (24,210 lb.)	<b>9344 kg</b> <b>(20,600 lb.)</b>	7611 kg (16,780 lb.)	<b>6201 kg</b> <b>(13,670 lb.)</b>	5616 kg (12,380 lb.)				

Attachment weight is included when calculating the lift capacities.

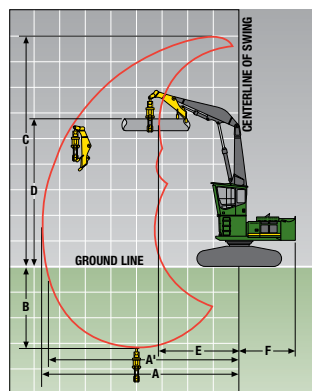
**Boldface** type indicates hydraulic-limited capacities with power boost; **lightface** type indicates stability-limited capacities. Figures do not exceed 87 percent of hydraulic capacities or 75 percent of weight needed to tip machine.

Operating Dimensions	3754D Road Builder	3754D Live Heel	2954D Butt & Top
Arm Length	3.2 m (10 ft. 6 in.)	N/A	N/A
Arm Force (with 1370-mm [54 in.] heavy-duty bucket and power boost)	169.2 kN (38,028 lb.)	N/A	N/A
Bucket Digging Force (with 1370-mm [54 in.] heavy-duty bucket and power boost)	214.5 kN (48,218 lb.)	N/A	N/A
Lifting Capacity Over Front at Ground Level, 6.1-m (20 ft.) Reach (with power boost) and Attachment	12 518 kg (27,597 lb.)	17 554 kg (38,700 lb.)	16 618 kg (36,636 lb.)
<b>A</b> Maximum Reach	11.10 m (36 ft. 5 in.)	13.12 m (43 ft. 0 in.)	11.70 m (38 ft. 4 in.)
<b>A'</b> Maximum Reach at Ground Level	10.89 m (35 ft. 9 in.)	12.90 m (42 ft. 4 in.)	11.45 m (37 ft. 7 in.)
<b>B</b> Maximum Depth	7.38 m (24 ft. 3 in.)	5.24 m (17 ft. 2 in.)	3.82 m (12 ft. 6 in.)
<b>C</b> Maximum Height	10.36 m (34 ft. 0 in.)	15.21 m (49 ft. 11 in.)	13.78 m (45 ft. 3 in.)
<b>D</b> Maximum Dumping Height	7.24 m (23 ft. 9 in.)	N/A	N/A
Maximum Log-Level Height	N/A	11.35 m (37 ft. 3 in.)	10.91 m (35 ft. 10 in.)
<b>E</b> Minimum Swing Radius	4.46 m (14 ft. 8 in.)	4.80 m (15 ft. 9 in.)	4.76 m (15 ft. 7 in.)
<b>F</b> Tail Swing Radius	3.66 m (12 ft. 0 in.)	3.66 m (12 ft. 0 in.)	3.66 m (12 ft. 0 in.)

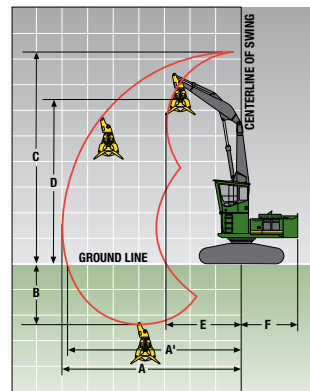
3754D Road-Builder Envelope



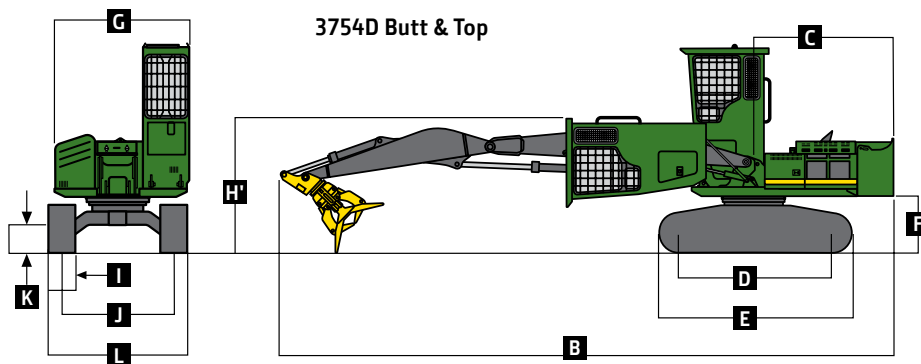
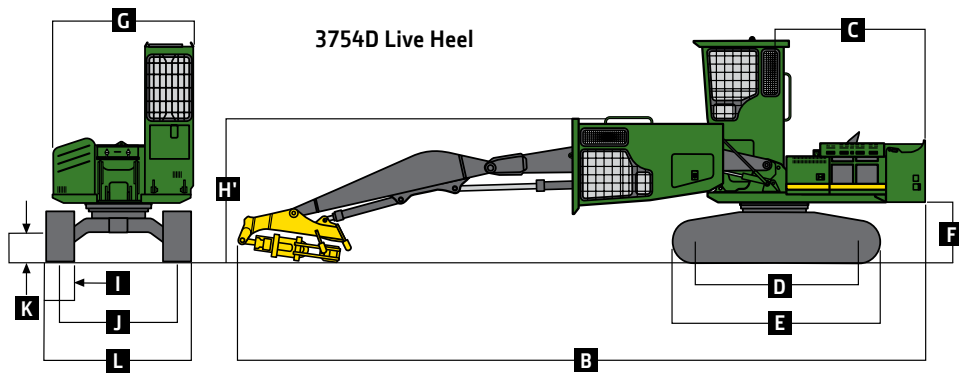
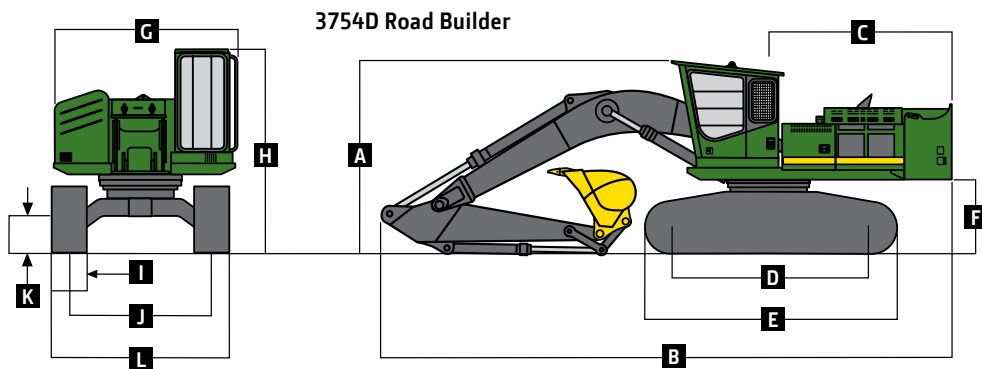
3754D Live-Heel Envelope



3754D Butt & Top Envelope



Machine Dimensions	3754D Road Builder	3754D Live Heel	3754D Butt & Top
A Height	3.37 m (11 ft. 1 in.)	N/A	N/A
B Overall Length	11.21 m (36 ft. 9 in.)	16.62 m (54 ft. 6 in.)	15.99 m (52 ft. 6 in.)
C Rear-End Length / Swing Radius	3.66 m (12 ft. 0 in.)	3.66 m (12 ft. 0 in.)	3.66 m (12 ft. 0 in.)
D Distance Between Idler / Sprocket Centerline	4.05 m (13 ft. 3 in.)	4.05 m (13 ft. 3 in.)	4.05 m (13 ft. 3 in.)
E Undercarriage Length	5.10 m (16 ft. 9 in.)	5.10 m (16 ft. 9 in.)	5.10 m (16 ft. 9 in.)
F Counterweight Clearance	1.45 m (4 ft. 9 in.)	1.47 m (4 ft. 10 in.)	1.47 m (4 ft. 10 in.)
G Upperstructure Width	3.49 m (11 ft. 6 in.)	3.70 m (12 ft. 2 in.)	3.70 m (12 ft. 2 in.)
H Cab Height	3.80 m (12 ft. 6 in.)	N/A	N/A
H' Cab Height (transport)	N/A	3.54 m (11 ft. 7 in.)	3.54 m (11 ft. 7 in.)
I Track Width (with 700-mm [28 in.] double-grouser shoes)	0.70 m (2 ft. 4 in.)	0.70 m (2 ft. 4 in.)	0.70 m (2 ft. 4 in.)
J Gauge Width	2.69 m (8 ft. 10 in.)	2.91 m (9 ft. 7 in.)	2.91 m (9 ft. 7 in.)
K Ground Clearance	0.74 m (2 ft. 5 in.)	0.74 m (2 ft. 5 in.)	0.74 m (2 ft. 5 in.)
L Undercarriage Width	3.39 m (11 ft. 1 in.)	3.61 m (11 ft. 10 in.)	3.61 m (11 ft. 10 in.)



Machine not exactly as shown. Illustrations for dimensioning purposes only.



WE WORK FOR THE GUYS WHO LOOK DOWN ON THE CLOUDS.

Forestry is a way of life. A calling passed through generations. One that gets in your blood and takes everything you've got. But one that you'll never give up. And that's why we're dedicated to building machines and solutions specifically for the work you do. It's our way of making one of the toughest jobs in the world just a little bit easier.



**JOHN DEERE**

[www.JohnDeere.com](http://www.JohnDeere.com)



**Lift Capacity — 3754D Butt & Top with 2540-kg (5,600 lb.) grapple and 700-mm (28 in.) shoes**

Load Point Height	4.6 m (15 ft.)		6.1 m (20 ft.)		7.6 m (25 ft.)		9.1 m (30 ft.)		10.7 m (35 ft.)		11.7 m (38.3 ft.)	
	Over front	Over side	Over front	Over side	Over front	Over side	Over front	Over side	Over front	Over side		
12.2 m (40 ft.)	<b>16 697 kg</b> <b>(36,810 lb.)</b>	<b>16 697 kg</b> <b>(36,810 lb.)</b>	<b>12 075 kg</b> <b>(26,620 lb.)</b>	<b>12 075 kg</b> <b>(26,620 lb.)</b>								
10.7 m (35 ft.)			<b>13 558 kg</b> <b>(29,890 lb.)</b>	<b>13 558 kg</b> <b>(29,890 lb.)</b>	<b>11 911 kg</b> <b>(26,260 lb.)</b>	9117 kg (20,100 lb.)						
9.1 m (30 ft.)			<b>13 064 kg</b> <b>(28,800 lb.)</b>	<b>13 064 kg</b> <b>(28,800 lb.)</b>	<b>11 621 kg</b> <b>(25,620 lb.)</b>	9367 kg (20,650 lb.)	9140 kg (20,150 lb.)	6387 kg (14,080 lb.)				
7.6 m (25 ft.)			<b>13 349 kg</b> <b>(29,430 lb.)</b>	<b>13 349 kg</b> <b>(29,430 lb.)</b>	<b>11 667 kg</b> <b>(25,720 lb.)</b>	9344 kg (20,600 lb.)	9249 kg (20,390 lb.)	6491 kg (14,310 lb.)				
6.1 m (20 ft.)	<b>13 935 kg</b> <b>(30,720 lb.)</b>	<b>13 935 kg</b> <b>(30,720 lb.)</b>	<b>14 302 kg</b> <b>(31,530 lb.)</b>	13 739 kg (30,290 lb.)	<b>12 125 kg</b> <b>(26,730 lb.)</b>	9149 kg (20,170 lb.)	9167 kg (20,210 lb.)	6414 kg (14,140 lb.)	6736 kg (14,850 lb.)	4563 kg (10,060 lb.)		
4.6 m (15 ft.)	<b>17 459 kg</b> <b>(38,490 lb.)</b>	<b>17 459 kg</b> <b>(38,490 lb.)</b>	<b>15 731 kg</b> <b>(34,680 lb.)</b>	13 141 kg (28,970 lb.)	12 533 kg (27,630 lb.)	8827 kg (19,460 lb.)	8995 kg (19,830 lb.)	6251 kg (13,780 lb.)	6686 kg (14,740 lb.)	4518 kg (9,960 lb.)		
3.1 m (10 ft.)			<b>17 178 kg</b> <b>(37,870 lb.)</b>	12 415 kg (27,370 lb.)	12 116 kg (26,710 lb.)	8441 kg (18,610 lb.)	8768 kg (19,330 lb.)	6037 kg (13,310 lb.)	6586 kg (14,520 lb.)	4423 kg (9,750 lb.)		
1.5 m (5 ft.)			17 155 kg (37,820 lb.)	11 730 kg (25,860 lb.)	11 716 kg (25,830 lb.)	8074 kg (17,800 lb.)	8550 kg (18,850 lb.)	5833 kg (12,860 lb.)	6482 kg (14,290 lb.)	4323 kg (9,530 lb.)	5493 kg (12,110 lb.)	3592 kg (7,920 lb.)
Ground Line	<b>24 231 kg</b> <b>(53,420 lb.)</b>	18 053 kg (39,800 lb.)	16 620 kg (36,640 lb.)	11 249 kg (24,800 lb.)	11 408 kg (25,150 lb.)	7788 kg (17,170 lb.)	8378 kg (18,470 lb.)	5670 kg (12,500 lb.)	6409 kg (14,130 lb.)	4255 kg (9,380 lb.)		
-1.5 m (-5 ft.)	<b>20 974 kg</b> <b>(46,240 lb.)</b>	17 772 kg (39,180 lb.)	<b>15 790 kg</b> <b>(34,810 lb.)</b>	11 009 kg (24,270 lb.)	11 231 kg (24,760 lb.)	7625 kg (16,810 lb.)	8292 kg (18,280 lb.)	5588 kg (12,320 lb.)	<b>5343 kg</b> <b>(11,780 lb.)</b>	4259 kg (9,390 lb.)		
-3.1 m (-10 ft.)	<b>15 894 kg</b> <b>(35,040 lb.)</b>	<b>15 894 kg</b> <b>(35,040 lb.)</b>	<b>12 474 kg</b> <b>(27,500 lb.)</b>	10 982 kg (24,210 lb.)	<b>9344 kg</b> <b>(20,600 lb.)</b>	7611 kg (16,780 lb.)	<b>6201 kg</b> <b>(13,670 lb.)</b>	5616 kg (12,380 lb.)				

Attachment weight is included when calculating the lift capacities.

**Boldface** type indicates hydraulic-limited capacities with power boost; **lightface** type indicates stability-limited capacities. Figures do not exceed 87 percent of hydraulic capacities or 75 percent of weight needed to tip machine.



OWN ON THE CLOUDS.

# SWING MACHINES

2154D/2454D/2954D/3754D



[www.JohnDeere.com](http://www.JohnDeere.com)

# Welcome to the top of the food chain.

Years in dense woods have evolved some seriously tough traits in the new generation of John Deere D-Series Swing Machines. From the smaller but muscular 2154D to the larger 3754D beast, these machines feature beefy new structures and next-size-up components — all purpose-built to perform. Their powerful swing systems, improved horsepower, and new hydraulic systems promise increased productivity. Even the ride itself can't be beat, from the comfort of secure and roomy rear-entry or raised cabs. As log loaders or shovel loggers, road builders, processor/harvesters, or stroke delimeter carriers, D-Series Swing Machines prove that anything less is really just prey.

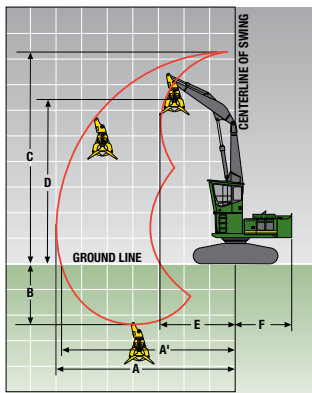
- The robust machine design gives you powerful performance, no matter what model or configuration you choose.
- The John Deere PowerTech™ E and PowerTech Plus engines, which meet EPA Tier 3 emissions requirements, boast excellent fuel economy with high torque at low rpms.
- Each D-Series Swing Machine can take on even the toughest of forests, with a tough, next-size-up swing system and heavy-duty upper frames in the 2154D, 2454D, and 2954D, and an auxiliary swing drive for increased swing torque during log loading in the 3754D.

	2154D	2454D	2954D	3754D
Engine	JD6068 PowerTech E Tier 3-compliant engine	JD6068 PowerTech Plus Tier-3 compliant engine	JD6068 PowerTech Plus Tier-3 compliant engine	JD6090H PowerTech Plus Tier 3 compliant engine
Net Peak Power (ISO 9249)	119 kW (159 hp)	145 kW (194 hp)	145 kW (194 hp)	220 kW (296 hp)
Max. Hydraulic Flow	472 L/m (124.6 gpm)	496 L/m (131 gpm)	496 L/m (131 gpm)	608 L/m (160.6 gpm)
Swing Torque	74 606 Nm (54,857 lbf.)	77 140–107 869 Nm (56,896–79,560 lbf.)	111 194 Nm (81,950 lbf.)	111 194–148,574 Nm (81,950–109,500 lbf.)
Drawbar Pull	22 634 kg (49,900 lb.)	25 435 kg (56,075 lb.)	30 812 kg (67,929 lb.)	36 102 kg (79,590 lb.)

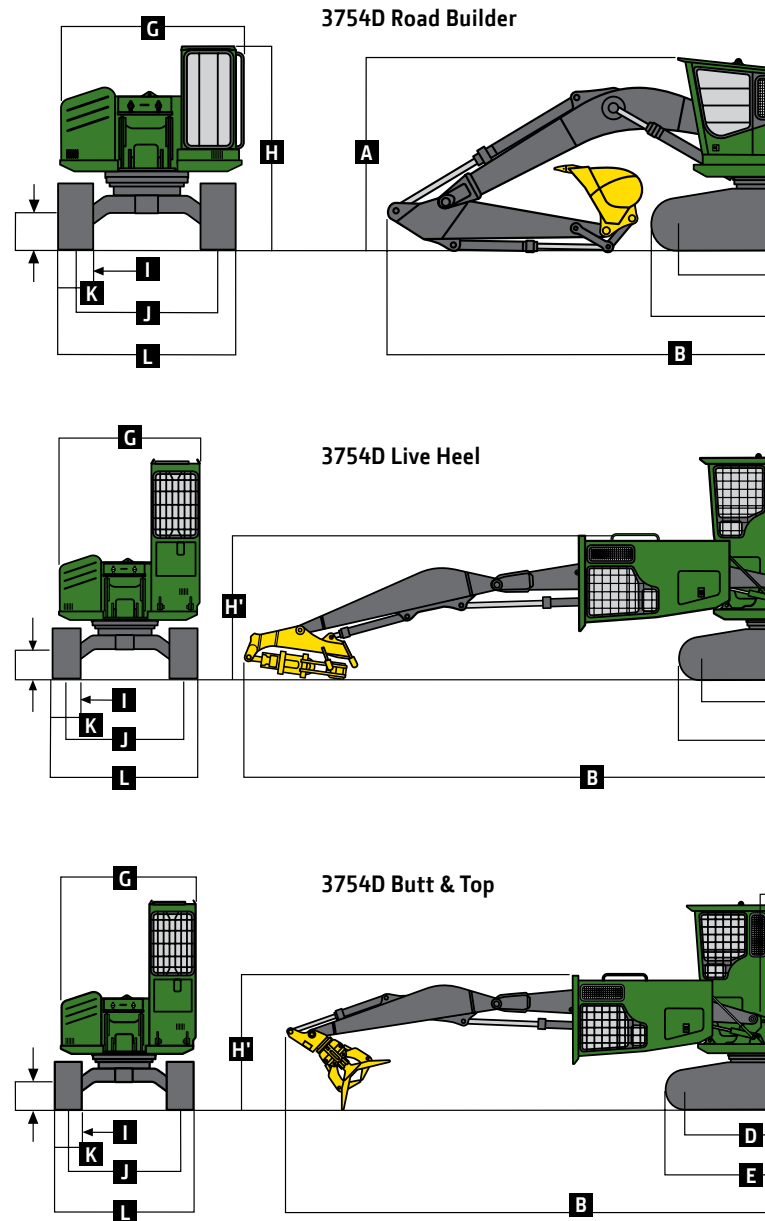


	3754D Live Heel	2954D Butt & Top
a.)	N/A	N/A
b.)	N/A	N/A
c.)	N/A	N/A
d.)	17 554 kg (38,700 lb.)	16 618 kg (36,636 lb.)
e.)	13.12 m (43 ft. 0 in.)	11.70 m (38 ft. 4 in.)
f.)	12.90 m (42 ft. 4 in.)	11.45 m (37 ft. 7 in.)
g.)	5.24 m (17 ft. 2 in.)	3.82 m (12 ft. 6 in.)
h.)	15.21 m (49 ft. 11 in.)	13.78 m (45 ft. 3 in.)
i.)	N/A	N/A
j.)	11.35 m (37 ft. 3 in.)	10.91 m (35 ft. 10 in.)
k.)	4.80 m (15 ft. 9 in.)	4.76 m (15 ft. 7 in.)
l.)	3.66 m (12 ft. 0 in.)	3.66 m (12 ft. 0 in.)

### 3754D Butt & Top Envelope



Machine Dimensions	3754D Road Builder
A Height	3.37 m (11 ft. 1 in.)
B Overall Length	11.21 m (36 ft. 9 in.)
C Rear-End Length / Swing Radius	3.66 m (12 ft. 0 in.)
D Distance Between Idler / Sprocket Centerline	4.05 m (13 ft. 3 in.)
E Undercarriage Length	5.10 m (16 ft. 9 in.)
F Counterweight Clearance	1.45 m (4 ft. 9 in.)
G Upperstructure Width	3.49 m (11 ft. 6 in.)
H Cab Height	3.80 m (12 ft. 6 in.)
H' Cab Height (transport)	N/A
I Track Width (with 700-mm [28 in.] double-grouser shoes)	0.70 m (2 ft. 4 in.)
J Gauge Width	2.69 m (8 ft. 10 in.)
K Ground Clearance	0.74 m (2 ft. 5 in.)
L Undercarriage Width	3.39 m (11 ft. 1 in.)



Machine not exactly as shown. Illustrations for dimensioning purposes only.



# A machine as responsive as the company that built it.

The story goes like this: You asked for it and John Deere listened — the new D-Series Swing Machines combine plenty of new features to give you productivity like never before. Swing torque, tractive effort, horsepower, hydraulic flow, and the seamless integration of the attachment and carrier are all worth bragging about. The 2954D boasts 12 more inches of additional reach and a larger arm cylinder that promises additional lifting power, while the 3754D packs a punch with its 296 horsepower. It's these powerful features that make each machine as responsive as the company that made it.

– **Tier 3-certified engines:**

Provide the horsepower required to get the job done while delivering excellent fuel economy regardless of the machine's size and weight.

– **"Smart cooling package":**

Cool-on-demand, variable-speed, hydraulically driven cooling fan reduces fuel consumption and noise.

– **Debris management:**

External screening, sealed cooler compartment, and optional automatic reversing fan help eliminate the downtime associated with cooling system servicing.



– **Robust upper frame:** Strong boom-tower arrangement, thick base plates, after-welding machining in critical areas, and large-diameter swing bearings make these machines extremely durable.

– **Ease of Service:** Remote-mounted engine and hydraulic oil filters and dynamic test ports.

– **Robust Booms and Arms:** New heavy-duty booms and arms are ready to take on all applications, whether it be building roads or processing or handling trees.

– **Durable Undercarriage:** Robust structures, next-size-up components and drive systems, and heavy-duty track chains deliver both productivity and durability.

– **Improved component protection:** Three-piece heavy-duty engine enclosure, new under-house protection system, new hydraulic filter guard and muffler protection, and heavier right rear door all work to keep the machine's valuable components safe from damage.

– **Attachment integration:** Deere is the industry leader, with purpose-built processing fronts and integrated attachments delivered from the factory.



# Productivity in total comfort? We're On It.™

You asked for a well-designed cab so operators could experience both productivity and comfort on the job. We delivered. Even getting in the cab is easy. Depending on the machine's application, the cab comes mounted on either a 178 mm (7-in.) or 1219 mm (48-in.) hydraulically tilting riser. And, all models have optional rear-entry cabs with integrated steps. These new D-Series machines provide the ultimate working conditions while ensuring maximum productivity. You asked for maximum comfort and optimum visibility, and we listened.







– **Forestry cab:** The side-entry cab has integral vertical bars and polycarbonate windows, meeting all safety requirements for forestry applications while maximizing visibility.

– **All-season comfort:** Climate control is available with side-entry cabs, while the rear-entry option comes with increased air-conditioning capacity to ensure operator comfort in the larger roomy cabs.

– **Comfortable suspension seat:** Covered in durable cloth, the seat can be custom-fit to ensure that all levers and pedals are easily accessible to whomever is king of the forest at any given time. The seat also features a reclining back with adjustable armrests and headrest for extra comfort.

– **Optional air-ride heated seat:** An optional deluxe seat offers low-frequency suspension with automatic weight adjustment, 24-volt air suspension, heated seat and back cushions, variable-suspension damper, double-locking roller slide rails, seat-cushion extension and tilt, and Sittab Armflex adjustable armrests. Available with either a lap belt or four-point restraint system for shovel-logging applications — operators can focus on work, without sliding out of their seats.

**1. Visibility:** To complement great forward visibility, sight lines have been verified using 3-D modeling to maximize worksite visibility.

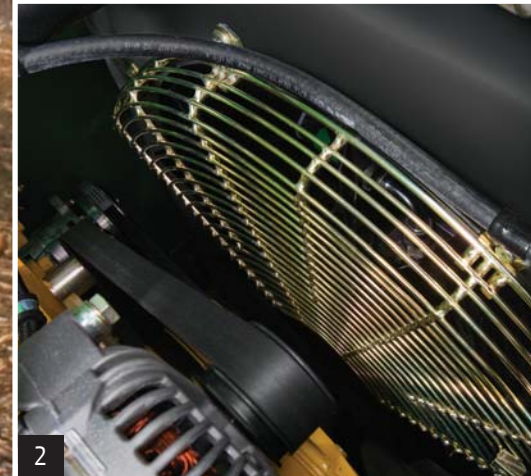
**2. Strategically placed controls:** Joystick controls and accessory switches are within easy reach for your operator's convenience and safety.

**3. Rear-entry cab:** This option offers external guards combined with polycarbonate or glass windows to ensure operator safety. These cabs are much larger for added comfort and storage, and they provide improved access whether you're coming or going.



It's one machine that  
won't let you down.


These new D-Series machines were bred for improved durability. Purpose-built to stand up to harsh forest environments, each durable D-Series model features a sturdy steel frame, heavy-duty track chain, a swing system sized with larger bearings for extended life (2154D, 2454D and 2954D), and external debris management features that maximize uptime. The hydraulic, cool-on-demand fan with a reversing option keeps the machine producing. And the standard 1050 Liter (277-gallon) fuel tank allows for extended run times between fill ups. Even the huge 3754D runs for an impressive 35–45 hours between fuel fills.



- 1. **Boom, arm, and frame:** The boom foot area has been strengthened and is now machined after all welding is complete. This, along with the addition of turned and ground pins and new boom and arm designs, keeps the D-Series running and eliminates unnecessary downtime.
- 2. **“Smart cooling package”:** The hydraulically driven on-demand fan runs only when needed, maximizing the use of available horsepower and reducing fuel

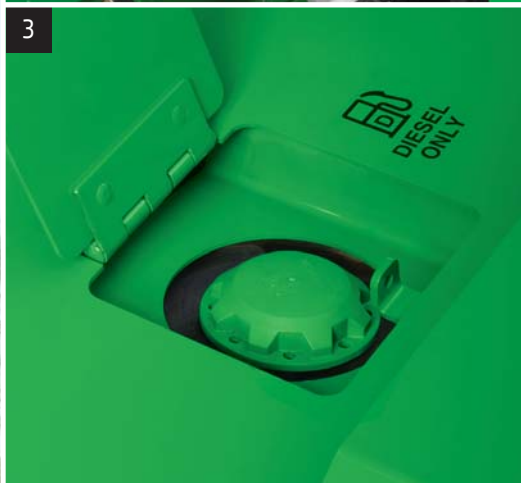
- consumption and noise. The reversing fan option eliminates the downtime usually needed for cooling-package maintenance.
- 3. **Debris-management system:** Integrated in the left side guarding, this smart system keeps materials and debris from entering the cooling-package area to enhance your total productivity.
- **Improved component protection:** This peace-of-mind package includes guards

- to protect the hydraulic oil filler cap and exhaust stack; a heavier pump door with support; sealed under-decking panels; and a tough three-piece, purpose-built engine enclosure.
- **Resilient design features:** The newly designed log loader fronts, purpose-built processor fronts, and heavy-duty excavator fronts allow the machines to keep running in the toughest applications.



## A machine that won't break your bank.

This is one hard worker that goes easy on your wallet, even as it ages. The remote-mounted fuel and oil filters, easily accessible oil-sampling valves, and the relocated fuel filler make regular fueling a cinch. A hydraulically driven cooling system that runs only when needed, an efficient engine that keeps fuel consumption in check, and an easy-to-reach engine cover all combine to add to your bottom line. The machine's debris-management features, including sloped sides around the engine housing and removable screens where needed, also cut down on maintenance headaches and costs. And sturdy, well-placed handrails and aggressive antislip material improve safety while cutting liability concerns. Rest assured — you won't be left with an empty wallet.



**1. Remote-mounted oil filters:** Newly designed with accessibility in mind, the oil filters can be changed quickly and easily to improve productivity through effortless regular maintenance.

**2. Fuel economy:** Designed for optimal fuel economy, the John Deere PowerTech engine provides hearty performance with manageable fuel costs.

**3. Fuel filler:** Newly relocated forward and outboard, and accessed via strategically located handholds, the fuel filler enables for faster and easier fueling.

**4. Debris management:** Perforations in the hood and left rear door serve as a “first filter,” preventing trash entry. Anything that passes through will also need to clear the cooler cores.

– **On-demand fan with reversing option:** By kicking in only when necessary, this hydraulically driven fan reduces fuel consumption and noise. The reversing-fan option improves uptime by keeping your robust cooling system clean.

– **Auxiliary oil cooler:** Standard on factory-installed processor hydraulics and optional on all other configurations, this feature complements the main cooling system and is recommended for high-duty cycle applications.

– **Oil-sampling valves:** These strategically placed dynamic fluid-sampling valves make preventive maintenance easy.

# Your choice: Purpose-built configurations within the D-Series family.



Whatever the task at hand — from building roads to shoveling logs to harvesting and processing — each D-Series Swing Machine rises to the occasion powerfully and efficiently. Purpose-built to be the toughest in the woods, the D-Series is available as a road builder, harvester/processor, live-heel log loader, butt-&-top log loader, or stroke delimeter. Take a closer look at key configurations designed for your specific application.



Swing Machine	2154D		2454D		2954D		3754D
Harvester/Processor	•		•		•		
Choose your Waratah attachment	H270 H290	H480 HTH470-HD	HTH616 HTH622B	HTH616 HTH622B HTH623C	HTH622B HTH624C HTH623C		
Road Builder	•		•		•		•
Log Loader							
Fixed Heel	•						
Live Heel	•		•		•		•
Power Clam	•		•		•		•
Butt-&-Top	•		•		•		•
Delimber Carrier	•		•				

# Powerful Combination.

Nothing beats a D-Series processor. It's the perfect carrier and head combination package for your harvesting applications, be it roadside processing or in-the-woods harvesting. With a hydraulic system that provides superior levels of hydraulic power coupled to a factory-installed, industry leading Waratah head, the D-Series processors deliver unmatched performance, productivity, and uptime. Clean hose routing, advanced cooling packages, increased protection, and even strategic positioning of the Automation system components allow the D-Series processors to provide our customers with a superior design for ultimate operator performance and the highest customer satisfaction levels.







- D-Series Processors for the 2154D, 2454D, and 2954D are factory engineered and integrated with Waratah heads — a harvesting package that's tough to beat.
- Waratah attachments are known for their durability, reliability, and precision — all attributes that optimize your harvesting productivity and uptime.
- The John Deere processor package has gone through no-holds-barred testing to ensure compatibility and reliability in even the most challenging environments.
- The machine's hydraulic system is designed to provide maximum hydraulic performance to the attachment, resulting in improved functioning performance and increased speed.

# 2154D



Engine	2154D Road Builder	2154D Processor	2154D Live / Fixed Heel	2154D Butt & Top	2154D Power Clam
Manufacturer and Model	John Deere 6068H				
Non-Road Emission Standards	EPA Tier 3/EU Stage IIIA				
Cylinders	6				
Engine Displacement	6.8 L (414 cu. in.)				
Net Peak Power (ISO 9249)	119 kW (159 hp)				
Aspiration	Turbocharged, air-to-air charge air cooler				
<b>Cooling</b>					
Fan Drive	Cool-on-demand hydraulic-driven, suction-type, remote-mounted drive				
Engine Coolant Rating	-37 deg. C (-34 deg. F)				
<b>Powertrain</b>					
2-speed propel with automatic shift					
Maximum Travel Speed					
Low	3.2 km/h (2.0 mph)				
High	5.1 km/h (3.2 mph)				
Controls	Pilot levers, short stroke, low effort; hydraulic pilot with shutoff lever				
<b>Hydraulics</b>					
Open center, load sensing					
Main Pump					
Maximum Rated Flow x 2	236 L/m (62.3 gpm)				
Pilot Pump (one gear)					
Maximum Rated Flow	35 L/m (9.2 gpm)				
Pressure Setting	3999 kPa (580 psi)				
Maximum Secondary Pump Flow	35 L/m (9.2 gpm)				
System Operating Pressure					
Implement Circuits	34 336 kPa (4,980 psi)				
Travel Circuits	34 336 kPa (4,980 psi)				
Swing Circuits	34 336 kPa (4,980 psi)				
Power Boost	36 335 kPa (5,270 psi)				
Auxiliary Hydraulic Flow	Adjustable through monitor				
<b>Cylinders</b>					
Heat-treated, chrome-plated, polished cylinder rods; hardened steel (replaceable bushings) pivot pins					
Boom (2)					
Bore	120 mm (4.72 in.)	120 mm (4.72 in.)	135 mm (5.32 in.)	135 mm (5.32 in.)	135 mm (5.32 in.)
Rod Diameter	85 mm (3.35 in.)	85 mm (3.35 in.)	95 mm (3.74 in.)	95 mm (3.74 in.)	95 mm (3.74 in.)
Stroke	1260 mm (49.61 in.)	1260 mm (49.61 in.)	1160 mm (45.67 in.)	1160 mm (45.67 in.)	1160 mm (45.67 in.)
Arm (1)					
Bore	135 mm (5.31 in.)	135 mm (5.31 in.)	145 mm (5.71 in.)	145 mm (5.71 in.)	145 mm (5.71 in.)
Rod Diameter	95 mm (3.74 in.)	95 mm (3.74 in.)	100 mm (3.94 in.)	100 mm (3.94 in.)	100 mm (3.94 in.)
Stroke	1475 mm (58.07 in.)	1475 mm (58.07 in.)	1555 mm (61.22 in.)	1555 mm (61.22 in.)	1555 mm (61.22 in.)
Bucket (1)					
Bore	115 mm (4.53 in.)	N/A	N/A	N/A	N/A
Rod Diameter	80 mm (3.15 in.)	N/A	N/A	N/A	N/A
Stroke	1060 mm (41.73 in.)	N/A	N/A	N/A	N/A
Heel (1)					
Bore	N/A	N/A	115 mm (4.53 in.) / N/A	N/A	N/A
Rod Diameter	N/A	N/A	80 mm (3.15 in.) / N/A	N/A	N/A
Stroke	N/A	N/A	1060 mm (41.73 in.) / N/A	N/A	N/A
Tilt (1)					
Bore	N/A	N/A	N/A	115 mm (4.53 in.)	115 mm (4.53 in.)
Rod Diameter	N/A	N/A	N/A	80 mm (3.15 in.)	80 mm (3.15 in.)
Stroke	N/A	N/A	N/A	1060 mm (41.73 in.)	1060 mm (41.73 in.)

Specifications are subject to change without notice.



Electrical	2154D Road Builder	2154D Processor	2154D Live / Fixed Heel	2154D Butt & Top	2154D Power Clam
Voltage	24 volt				
Batteries	2 x 12 volt				
Reserve Capacity	440 min.				
Alternator Rating	80 amp				
Undercarriage					
Carrier Rollers (per side)	2				
Track Rollers (per side)	8				
Shoes (per side)	48				
Drawbar Pull	22 634 kg (49,900 lb.)				
Track Adjustment	Hydraulic				
Track Guides	Center				
Upperstructure					
Counterweight, Standard	4001 kg (8,821 lb.)	4001 kg (8,821 lb.)	5175 kg (11,408 lb.)	5175 kg (11,408 lb.)	5175 kg (11,408 lb.)
Swing Mechanism					
Swing Speed	12.6 rpm				
Swing Torque	74 606 Nm (54,857 lb.-ft.)				
Ground Pressure					
700-mm (28 in.) Double-Grouser Shoes	54.0 kPa (7.77 psi)	49.0 kPa (7.16 psi)	54.0 kPa (7.77 psi) / 52.0 kPa (7.61 psi)	54.0 kPa (7.89 psi)	54.0 kPa (7.89 psi)
Refill Capacities					
Fuel Tank	1049.0 L (277.0 gal.)	1049.0 L (277.0 gal.)	1049.0 L (277.0 gal.)	1049.0 L (277.0 gal.)	1049.0 L (277.0 gal.)
Cooling System	26.0 L (6.9 gal.)	26.0 L (6.9 gal.)	26.0 L (6.9 gal.)	26.0 L (6.9 gal.)	26.0 L (6.9 gal.)
Engine Oil with Filter	23.0 L (6.0 gal.)	23.0 L (6.0 gal.)	23.0 L (6.0 gal.)	23.0 L (6.0 gal.)	23.0 L (6.0 gal.)
Hydraulic Tank	136.0 L (36.0 gal.)	136.0 L (36.0 gal.)	136.0 L (36.0 gal.)	136.0 L (36.0 gal.)	136.0 L (36.0 gal.)
Hydraulic System	257.0 L (68.0 gal.)	244.0 L (64.5 gal.)	257.0 L (68.0 gal.) / 248.0 L (65.5 gal.)	257.0 L (68.0 gal.)	257.0 L (68.0 gal.)
Propel Gearbox (each)	7.0 L (7.5 qt.)	7.0 L (7.5 qt.)	7.0 L (7.5 qt.)	7.0 L (7.5 qt.)	7.0 L (7.5 qt.)
Swing Gearbox	9.1 L (9.6 qt.)	9.1 L (9.6 qt.)	9.1 L (9.6 qt.)	9.1 L (9.6 qt.)	9.1 L (9.6 qt.)
Pump Drive Gearbox	1.0 L (1.1 qt.)	1.0 L (1.1 qt.)	1.0 L (1.1 qt.)	1.0 L (1.1 qt.)	1.0 L (1.1 qt.)
Operating Weights					
With 840-kg (1,818 lb.) full fuel tank, 79-kg (175 lb.) operator, and 700-mm (28 in.) double-grouser shoes					
	4000-kg (8,818 lb.) counterweight; 2.91-m (9 ft. 7 in.) arm; and 830-kg (1,830 lb.) bucket	4000-kg (8,818 lb.) counterweight and 2120-kg (4,673 lb.) processor head	5203-kg (11,490 lb.) counterweight and 816-kg (1,800 lb.) grapple (live) / 703-kg (1,550 lb.) grapple (fixed)	5203-kg (11,490 lb.) counterweight and 1996-kg (4,400 lb.) grapple	5203-kg (11,490 lb.) counterweight and 1996-kg (4,400 lb.) grapple
SAE Operating Weight	26 660 kg (58,775 lb.)	27 864 kg (61,430 lb.)	30 250 kg (66,690 lb.) / 29 638 kg (65,342 lb.)	30 733 kg (67,755 lb.)	30 733 kg (67,755 lb.)

**Lift Capacity — 2154D Road Builder with 2.91-m (9 ft. 7 in.) arm, 830-kg (1,830 lb.) bucket, and 700-mm (28 in.) shoes**

Load Point Height	1.5 m (5 ft.)		3.1 m (10 ft.)		4.6 m (15 ft.)		6.1 m (20 ft.)		7.6 m (25 ft.)	
	Over front	Over side	Over front	Over side	Over front	Over side	Over front	Over side	Over front	Over side
6.1 m (20 ft.)							<b>3651 kg</b> (8,048 lb.)	<b>3651 kg</b> (8,048 lb.)		
4.6 m (15 ft.)							<b>4069 kg</b> (8,970 lb.)	<b>4069 kg</b> (8,970 lb.)	<b>3889 kg</b> (8,574 lb.)	3306 kg (7,288 lb.)
3.1 m (10 ft.)					<b>6281 kg</b> (13,847 lb.)	<b>6281 kg</b> (13,847 lb.)	<b>4879 kg</b> (10,757 lb.)	4636 kg (10,221 lb.)	<b>4232 kg</b> (9,329 lb.)	3199 kg (7,052 lb.)
1.5 m (5 ft.)					<b>8214 kg</b> (18,108 lb.)	6713 kg (14,799 lb.)	<b>5791 kg</b> (12,766 lb.)	4366 kg (9,625 lb.)	<b>4676 kg</b> (10,309 lb.)	3067 kg (6,762 lb.)
Ground Line					<b>9212 kg</b> (20,308 lb.)	6386 kg (14,079 lb.)	<b>6463 kg</b> (14,248 lb.)	4163 kg (9,178 lb.)	4805 kg (10,593 lb.)	2957 kg (6,519 lb.)
-1.5 m (-5 ft.)			<b>6543 kg</b> (14,425 lb.)	<b>6543 kg</b> (14,425 lb.)	<b>9259 kg</b> (20,412 lb.)	6297 kg (13,883 lb.)	<b>6691 kg</b> (14,751 lb.)	4064 kg (8,960 lb.)	4742 kg (10,455 lb.)	2900 kg (6,393 lb.)
-3.1 m (-10 ft.)			<b>10 859 kg</b> (23,940 lb.)	<b>10 859 kg</b> (23,940 lb.)	<b>8605 kg</b> (18,971 lb.)	6340 kg (13,978 lb.)	<b>6363 kg</b> (14,028 lb.)	4067 kg (8,966 lb.)	<b>4679 kg</b> (10,316 lb.)	2926 kg (6,451 lb.)
-4.6 m (-15 ft.)			<b>9500 kg</b> (20,943 lb.)	<b>9500 kg</b> (20,943 lb.)	<b>7089 kg</b> (15,628 lb.)	6502 kg (14,334 lb.)	<b>5102 kg</b> (11,249 lb.)	4193 kg (9,244 lb.)		

**Lift Capacity — 2154D Processor with processor arm, 2177-kg (4,800 lb.) attachment, and 700-mm (28 in.) shoes**

Load Point Height	1.5 m (5 ft.)		3.1 m (10 ft.)		4.6 m (15 ft.)		6.1 m (20 ft.)		7.6 m (25 ft.)	
	Over front	Over side	Over front	Over side	Over front	Over side	Over front	Over side	Over front	Over side
9.2 m (30 ft.)					<b>3221 kg</b> (7,100 lb.)	<b>3221 kg</b> (7,100 lb.)				
7.6 m (25 ft.)							<b>2948 kg</b> (6,500 lb.)	<b>2948 kg</b> (6,500 lb.)		
6.1 m (20 ft.)					<b>3175 kg</b> (7,000 lb.)	<b>3175 kg</b> (7,000 lb.)	<b>3084 kg</b> (6,800 lb.)	<b>3084 kg</b> (6,800 lb.)	<b>2223 kg</b> (4,900 lb.)	<b>2223 kg</b> (4,900 lb.)
4.6 m (15 ft.)			<b>6078 kg</b> (13,400 lb.)	<b>6078 kg</b> (13,400 lb.)	<b>4445 kg</b> (9,800 lb.)	<b>4445 kg</b> (9,800 lb.)	<b>3629 kg</b> (8,000 lb.)	<b>3629 kg</b> (8,000 lb.)	<b>3221 kg</b> (7,100 lb.)	<b>3221 kg</b> (7,100 lb.)
3.1 m (10 ft.)			<b>11 068 kg</b> (24,400 lb.)	<b>11 068 kg</b> (24,400 lb.)	<b>6260 kg</b> (13,800 lb.)	<b>6260 kg</b> (13,800 lb.)	<b>4491 kg</b> (9,900 lb.)	<b>4491 kg</b> (9,900 lb.)	<b>3583 kg</b> (7,900 lb.)	<b>3357 kg</b> (7,400 lb.)
1.5 m (5 ft.)			<b>14 334 kg</b> (31,600 lb.)	<b>14 334 kg</b> (31,600 lb.)	<b>7847 kg</b> (17,300 lb.)	<b>7847 kg</b> (17,300 lb.)	<b>5307 kg</b> (11,700 lb.)	4944 kg (10,900 lb.)	<b>3992 kg</b> (8,800 lb.)	3221 kg (7,100 lb.)

Attachment weight is included when calculating the lift capacities.

**Boldface** type indicates hydraulic-limited capacities with power boost; **lightface** type indicates stability-limited capacities. Figures do not exceed 87 percent of hydraulic capacities or 75 percent of weight needed to tip machine.

**Lift Capacity — 2154D Live Heel with 816-kg (1,800 lb.) grapple and 700-mm (28 in.) shoes**

Load Point Height	4.6 m (15 ft.)		6.1 m (20 ft.)		7.6 m (25 ft.)		9.1 m (30 ft.)		10.7 m (35 ft.)	
	Over front	Over side	Over front	Over side	Over front	Over side	Over front	Over side	Over front	Over side
10.7 m (35 ft.)	<b>8260 kg</b> (18,210 lb.)	<b>8260 kg</b> (18,210 lb.)	<b>7362 kg</b> (16,230 lb.)	7135 kg (15,730 lb.)						
9.1 m (30 ft.)			<b>6486 kg</b> (14,300 lb.)	<b>6486 kg</b> (14,300 lb.)	<b>5924 kg</b> (13,060 lb.)	4867 kg (10,730 lb.)				
7.6 m (25 ft.)			<b>6355 kg</b> (14,010 lb.)	<b>6355 kg</b> (14,010 lb.)	<b>5684 kg</b> (12,530 lb.)	5103 kg (11,250 lb.)	4885 kg (10,770 lb.)	3642 kg (8,030 lb.)		
6.1 m (20 ft.)			<b>6641 kg</b> (14,640 lb.)	<b>6641 kg</b> (14,640 lb.)	<b>5783 kg</b> (12,750 lb.)	5144 kg (11,340 lb.)	4912 kg (10,830 lb.)	3665 kg (8,080 lb.)		
4.6 m (15 ft.)	<b>7616 kg</b> (16,790 lb.)	<b>7616 kg</b> (16,790 lb.)	<b>7262 kg</b> (16,010 lb.)	<b>7262 kg</b> (16,010 lb.)	<b>6078 kg</b> (13,400 lb.)	5067 kg (11,170 lb.)	4740 kg (10,450 lb.)	3502 kg (7,720 lb.)	3543 kg (7,810 lb.)	2554 kg (5,630 lb.)
3.1 m (10 ft.)	<b>9816 kg</b> (21,640 lb.)	<b>9816 kg</b> (21,640 lb.)	<b>8051 kg</b> (17,750 lb.)	7362 kg (16,230 lb.)	<b>6423 kg</b> (14,160 lb.)	4926 kg (10,860 lb.)	4731 kg (10,430 lb.)	3497 kg (7,710 lb.)	3529 kg (7,780 lb.)	2545 kg (5,610 lb.)

**Lift Capacity — 2154D Fixed Heel with 703-kg (1,550 lb.) grapple and 700-mm (28 in.) shoes**

Load Point Height	4.6 m (15 ft.)		6.1 m (20 ft.)		7.6 m (25 ft.)		9.1 m (30 ft.)		9.9 m (33.8 ft.)	
	Over front	Over side	Over front	Over side	Over front	Over side	Over front	Over side	Over front	Over side
10.7 m (35 ft.)	<b>7602 kg</b> (16,760 lb.)	<b>7602 kg</b> (16,760 lb.)								
9.1 m (30 ft.)			<b>7013 kg</b> (15,460 lb.)	<b>7013 kg</b> (15,460 lb.)						
7.6 m (25 ft.)			<b>6763 kg</b> (14,910 lb.)	<b>6763 kg</b> (14,910 lb.)	<b>6128 kg</b> (13,510 lb.)	5039 kg (11,110 lb.)				
6.1 m (20 ft.)			<b>6963 kg</b> (15,350 lb.)	<b>6963 kg</b> (15,350 lb.)	<b>6155 kg</b> (13,570 lb.)	5012 kg (11,050 lb.)	5049 kg (11,130 lb.)	3524 kg (7,770 lb.)		
4.6 m (15 ft.)	<b>9086 kg</b> (20,030 lb.)	<b>9086 kg</b> (20,030 lb.)	<b>7525 kg</b> (16,590 lb.)	7226 kg (15,930 lb.)	<b>6391 kg</b> (14,090 lb.)	4894 kg (10,790 lb.)	5008 kg (11,040 lb.)	3484 kg (7,680 lb.)		
3.1 m (10 ft.)	<b>10 791 kg</b> (23,790 lb.)	<b>10 791 kg</b> (23,790 lb.)	<b>8274 kg</b> (18,240 lb.)	6877 kg (15,160 lb.)	<b>6700 kg</b> (14,770 lb.)	4713 kg (10,390 lb.)	4917 kg (10,840 lb.)	3402 kg (7,500 lb.)		
1.5 m (5 ft.)	<b>12 261 kg</b> (27,030 lb.)	10 301 kg (22,710 lb.)	<b>8886 kg</b> (19,590 lb.)	6500 kg (14,330 lb.)	6518 kg (14,370 lb.)	4518 kg (9,960 lb.)	4813 kg (10,610 lb.)	3302 kg (7,280 lb.)	3928 kg (8,660 lb.)	2658 kg (5,860 lb.)
Ground Line	<b>12 592 kg</b> (27,760 lb.)	9702 kg (21,390 lb.)	<b>8977 kg</b> (19,790 lb.)	6192 kg (13,650 lb.)	6341 kg (13,980 lb.)	4355 kg (9,600 lb.)	4731 kg (10,430 lb.)	3225 kg (7,110 lb.)		

Attachment weight is included when calculating the lift capacities.

**Boldface** type indicates hydraulic-limited capacities with power boost; **lightface** type indicates stability-limited capacities.

Figures do not exceed 87 percent of hydraulic capacities or 75 percent of weight needed to tip machine.

**Lift Capacity — 2154D Butt & Top with 1996-kg (4,400 lb.) grapple and 700-mm (28 in.) shoes**

Load Point Height	3.1 m (10 ft.)		4.6 m (15 ft.)		6.1 m (20 ft.)		7.6 m (25 ft.)		9.1 m (30 ft.)	
	Over front	Over side	Over front	Over side	Over front	Over side	Over front	Over side	Over front	Over side
10.7 m (35 ft.)			<b>9008 kg</b> (19,860 lb.)	<b>9008 kg</b> (19,860 lb.)						
9.1 m (30 ft.)			<b>7620 kg</b> (16,800 lb.)	<b>7620 kg</b> (16,800 lb.)	<b>6595 kg</b> (14,540 lb.)	<b>6595 kg</b> (14,540 lb.)				
7.6 m (25 ft.)			<b>7285 kg</b> (16,060 lb.)	<b>7285 kg</b> (16,060 lb.)	<b>6278 kg</b> (13,840 lb.)	<b>6278 kg</b> (13,840 lb.)	<b>5520 kg</b> (12,170 lb.)	<b>4527 kg</b> (9,980 lb.)		
6.1 m (20 ft.)			<b>7711 kg</b> (17,000 lb.)	<b>7711 kg</b> (17,000 lb.)	<b>6459 kg</b> (14,240 lb.)	<b>6459 kg</b> (14,240 lb.)	<b>5498 kg</b> (12,120 lb.)	<b>4531 kg</b> (9,990 lb.)		
4.6 m (15 ft.)			<b>8886 kg</b> (19,590 lb.)	<b>8886 kg</b> (19,590 lb.)	<b>6990 kg</b> (15,410 lb.)	<b>6881 kg</b> (15,170 lb.)	<b>5693 kg</b> (12,550 lb.)	<b>4427 kg</b> (9,760 lb.)	<b>4173 kg</b> (9,200 lb.)	<b>2944 kg</b> (6,490 lb.)
3.1 m (10 ft.)					<b>7666 kg</b> (16,900 lb.)	<b>6559 kg</b> (14,460 lb.)	<b>5897 kg</b> (13,000 lb.)	<b>4268 kg</b> (9,410 lb.)	<b>4105 kg</b> (9,050 lb.)	<b>2880 kg</b> (6,350 lb.)

**Lift Capacity — 2154D Power Clam with 1996-kg (4,400 lb.) grapple and 700-mm (28 in.) shoes**

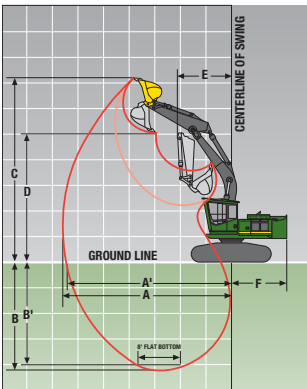
Load Point Height	3.1 m (10 ft.)		4.6 m (15 ft.)		6.1 m (20 ft.)		7.6 m (25 ft.)		9.1 m (30 ft.)		9.9 m (32.5 ft.)	
	Over front	Over side	Over front	Over side	Over front	Over side	Over front	Over side	Over front	Over side	Over front	Over side
10.7 m (35 ft.)			<b>9008 kg</b> (19,860 lb.)	<b>9008 kg</b> (19,860 lb.)								
9.1 m (30 ft.)			<b>7620 kg</b> (16,800 lb.)	<b>7620 kg</b> (16,800 lb.)	<b>6595 kg</b> (14,540 lb.)	<b>6595 kg</b> (14,540 lb.)						
7.6 m (25 ft.)			<b>7285 kg</b> (16,060 lb.)	<b>7285 kg</b> (16,060 lb.)	<b>6278 kg</b> (13,840 lb.)	<b>6278 kg</b> (13,840 lb.)	<b>5520 kg</b> (12,170 lb.)	<b>4527 kg</b> (9,980 lb.)				
6.1 m (20 ft.)			<b>7711 kg</b> (17,000 lb.)	<b>7711 kg</b> (17,000 lb.)	<b>6459 kg</b> (14,240 lb.)	<b>6459 kg</b> (14,240 lb.)	<b>5498 kg</b> (12,120 lb.)	<b>4531 kg</b> (9,990 lb.)				
4.6 m (15 ft.)			<b>8886 kg</b> (19,590 lb.)	<b>8886 kg</b> (19,590 lb.)	<b>6990 kg</b> (15,410 lb.)	<b>6881 kg</b> (15,170 lb.)	<b>5693 kg</b> (12,550 lb.)	<b>4427 kg</b> (9,760 lb.)	<b>4173 kg</b> (9,200 lb.)	<b>2944 kg</b> (6,490 lb.)		
3.1 m (10 ft.)					<b>7666 kg</b> (16,900 lb.)	<b>6559 kg</b> (14,460 lb.)	<b>5897 kg</b> (13,000 lb.)	<b>4268 kg</b> (9,410 lb.)	<b>4105 kg</b> (9,050 lb.)	<b>2880 kg</b> (6,350 lb.)		
1.5 m (5 ft.)					<b>8128 kg</b> (17,920 lb.)	<b>6214 kg</b> (13,700 lb.)	<b>5715 kg</b> (12,600 lb.)	<b>4096 kg</b> (9,030 lb.)	<b>4023 kg</b> (8,870 lb.)	<b>2803 kg</b> (6,180 lb.)	<b>3420 kg</b> (7,540 lb.)	<b>2336 kg</b> (5,150 lb.)

Attachment weight is included when calculating the lift capacities.

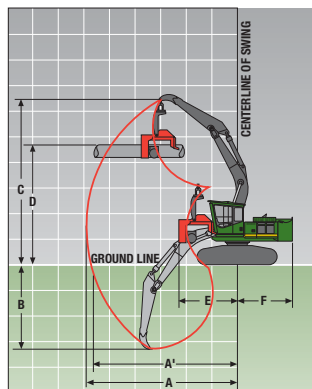
**Boldface** type indicates hydraulic-limited capacities with power boost; **lightface** type indicates stability-limited capacities. Figures do not exceed 87 percent of hydraulic capacities or 75 percent of weight needed to tip machine.

Operating Dimensions	2154D Road Builder	2154D Processor	2154D Live / Fixed Heel	2154D Butt & Top	2154D Power Clam
Lifting Capacity Over Front at Ground Level, 6.1-m (20 ft.) Reach (with power boost) and Attachment	6463 kg (14,248 lb.)	5806 kg (12,800 lb.)	8822 kg (19,450 lb.) / 8977 kg (19,790 lb.)	8001 kg (17,640 lb.)	8001 kg (17,640 lb.)
<b>A</b> Maximum Reach	9.87 m (32 ft. 5 in.)	8.76 m (28 ft. 9 in.)	10.98 m (36 ft. 0 in.) / 10.31 m (33 ft. 10 in.)	9.94 m (32 ft. 7 in.)	9.94 m (32 ft. 7 in.)
<b>A'</b> Maximum Reach at Ground Level	9.64 m (31 ft. 8 in.)	8.51 m (27 ft. 11 in.)	10.77 m (35 ft. 4 in.) / 10.10 m (33 ft. 2 in.)	9.71 m (31 ft. 10 in.)	9.71 m (31 ft. 10 in.)
<b>B</b> Maximum Depth	6.17 m (20 ft. 3 in.)	4.80 m (15 ft. 9 in.)	4.32 m (14 ft. 2 in.) / 3.82 m (12 ft. 6 in.)	3.30 m (10 ft. 10 in.)	3.30 m (10 ft. 10 in.)
<b>C</b> Maximum Height	10.34 m (33 ft. 11 in.)	9.64 m (31 ft. 7 in.)	12.65 m (41 ft. 6 in.) / 11.82 m (38 ft. 9 in.)	11.60 m (38 ft. 0 in.)	11.60 m (38 ft. 0 in.)
<b>D</b> Maximum Log-Level Height	N/A	7.36 m (24 ft. 2 in.)	8.12 m (26 ft. 8 in.) / 7.74 m (25 ft. 5 in.)	8.23 m (27 ft. 0 in.)	8.00 m (26 ft. 3 in.)
<b>E</b> Minimum Swing Radius	3.04 m (9 ft. 11 in.)	3.10 m (10 ft. 2 in.)	4.23 m (13 ft. 11 in.) / 4.88 m (16 ft. 0 in.)	4.57 m (15 ft. 0 in.)	4.27 m (14 ft. 0 in.)
<b>F</b> Tail Swing Radius	3.10 m (10 ft. 2 in.)	3.10 m (10 ft. 2 in.)	3.10 m (10 ft. 2 in.)	3.10 m (10 ft. 2 in.)	3.10 m (10 ft. 2 in.)

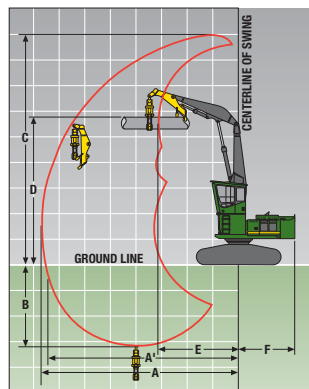
2154D Road-BUILDER Envelope



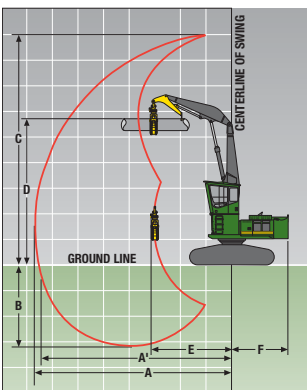
2154D Processor Envelope



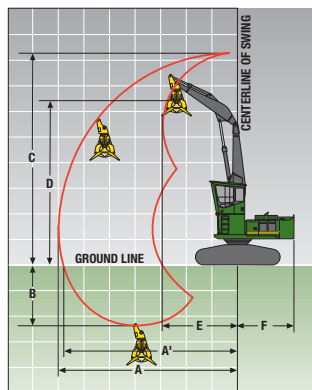
2154D Live-Heel Envelope



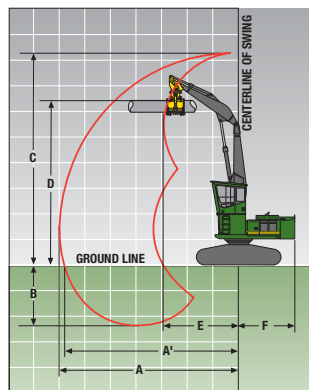
2154D Fixed-Heel Envelope



2154D Butt & Top Envelope

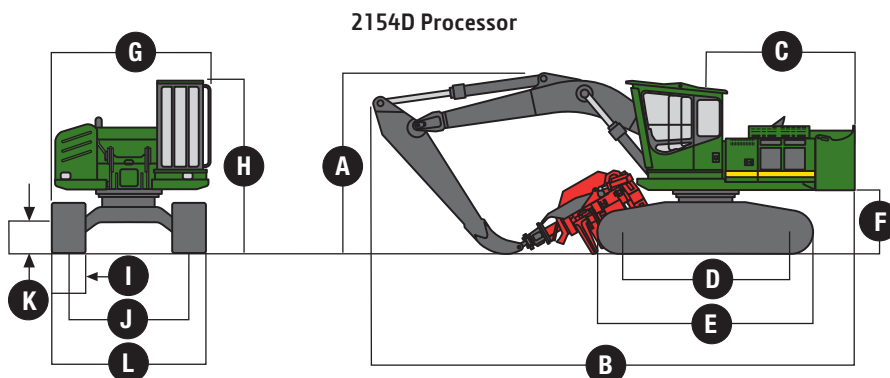
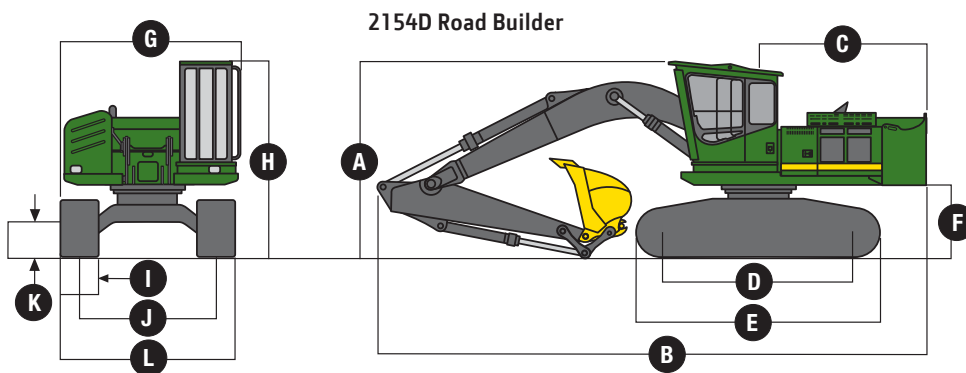


2154D Power-Clam Envelope



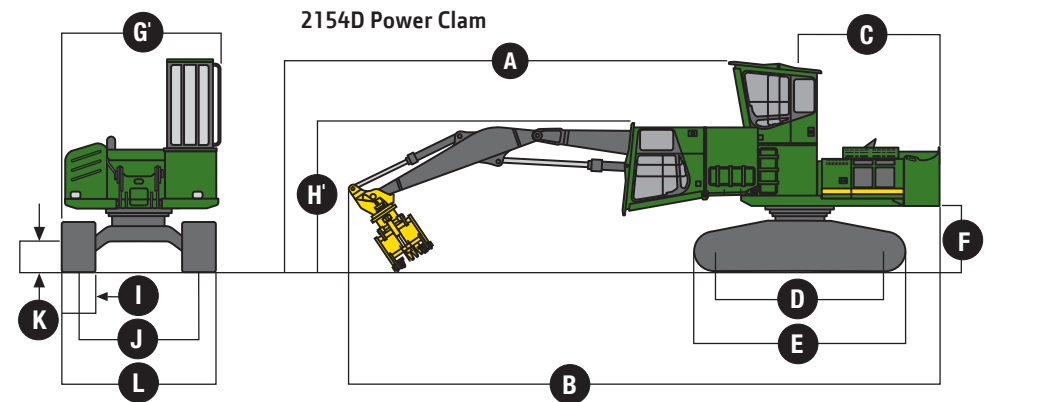
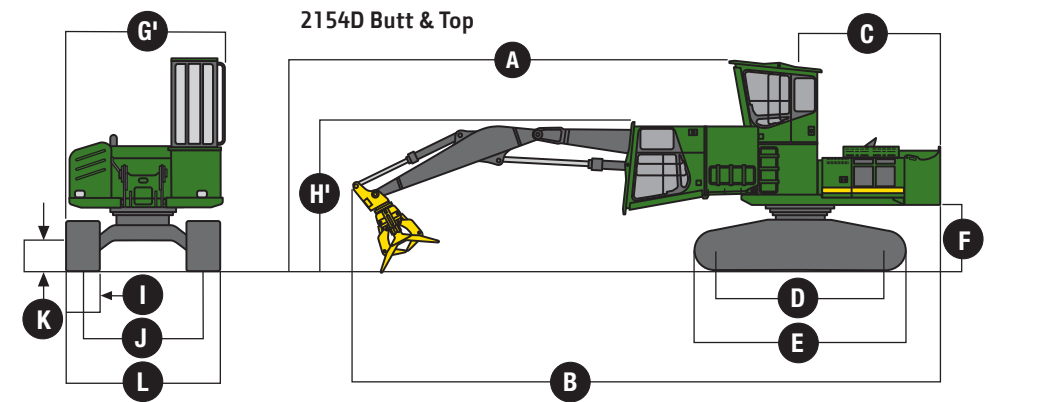
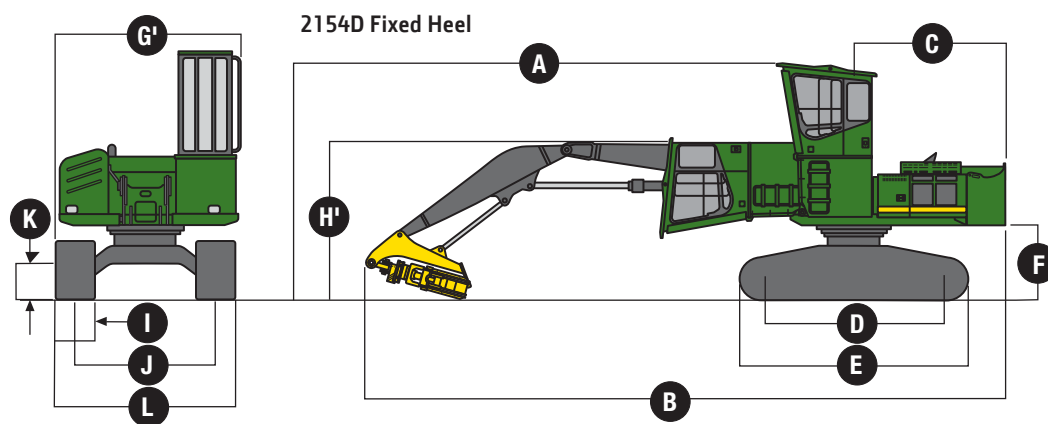
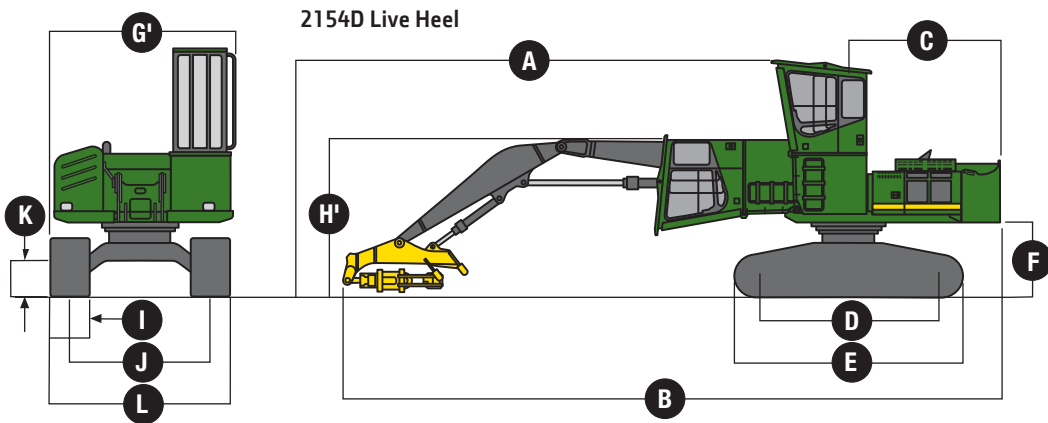
Machine not exactly as shown. Illustrations for dimensioning purposes only.

Machine Dimensions	2154D Road Builder	2154D Processor	2154D Live / Fixed Heel	2154D Butt & Top	2154D Power Clam
<b>A</b> Height	2.93 m (9 ft. 7 in.)	3.61 m (11 ft. 10 in.)	4.76 m (15 ft. 7 in.) / 4.71 m (15 ft. 5 in.)	4.76 m (15 ft. 7 in.)	4.76 m (15 ft. 7 in.)
<b>B</b> Overall Length	9.86 m (32 ft. 4 in.)	9.88 m (32 ft. 5 in.)	13.52 m (44 ft. 4 in.) / 12.98 m (42 ft. 7 in.)	13.69 m (44 ft. 11 in.)	13.76 m (45 ft. 2 in.)
<b>C</b> Rear-End Length / Swing Radius	3.10 m (10 ft. 2 in.)	3.10 m (10 ft. 2 in.)	3.10 m (10 ft. 2 in.)	3.10 m (10 ft. 2 in.)	3.10 m (10 ft. 2 in.)
<b>D</b> Distance Between Idler / Sprocket Centerline	3.66 m (12 ft. 0 in.)	3.66 m (12 ft. 0 in.)	3.66 m (12 ft. 0 in.)	3.66 m (12 ft. 0 in.)	3.66 m (12 ft. 0 in.)
<b>E</b> Undercarriage Length	4.45 m (14 ft. 7 in.)	4.45 m (14 ft. 7 in.)	4.45 m (14 ft. 7 in.)	4.45 m (14 ft. 7 in.)	4.45 m (14 ft. 7 in.)
<b>F</b> Counterweight Clearance	1.33 m (4 ft. 4 in.)	1.33 m (4 ft. 4 in.)	1.38 m (4 ft. 6 in.) / 1.33 m (4 ft. 4 in.)	1.38 m (4 ft. 6 in.)	1.38 m (4 ft. 6 in.)
<b>G</b> Upperstructure Width	3.36 m (11 ft. 0 in.)	3.36 m (11 ft. 0 in.)	N/A	N/A	N/A
<b>G'</b> Upperstructure Width with 1219-mm (48 in.) Side-Entry Cab	N/A	N/A	3.50 m (11 ft. 6 in.) / 3.41 m (11 ft. 2 in.)	3.50 m (11 ft. 6 in.)	3.50 m (11 ft. 6 in.)
Rear Entry	N/A	N/A	3.54 m (11 ft. 7 in.) / 3.45 m (11 ft. 4 in.)	3.54 m (11 ft. 7 in.)	3.54 m (11 ft. 7 in.)
<b>H</b> Cab Height (Transport)	3.68 m (12 ft. 1 in.)	3.68 m (12 ft. 1 in.)	N/A	N/A	N/A
<b>H'</b> Cab Height (Transport) with 1219-mm (48 in.) Side-Entry Cab	N/A	N/A	3.34 m (10 ft. 11 in.) / 3.29 m (10 ft. 9 in.)	3.39 m (11 ft. 1 in.)	3.45 m (11 ft. 4 in.)
Rear Entry	N/A	N/A	3.43 m (11 ft. 3 in.) / 3.38 m (11 ft. 1 in.)	3.43 m (11 ft. 3 in.)	3.45 m (11 ft. 4 in.)
<b>I</b> Track Width (700-mm [28 in.] double-grouser shoes)	0.70 m (2 ft. 4 in.)	0.70 m (2 ft. 4 in.)	0.70 m (2 ft. 4 in.)	0.70 m (2 ft. 4 in.)	0.70 m (2 ft. 4 in.)
<b>J</b> Gauge Width	2.62 m (8 ft. 7 in.)	2.62 m (8 ft. 7 in.)	2.79 m (9 ft. 2 in.) / 2.62 m (8 ft. 7 in.)	2.79 m (9 ft. 2 in.)	2.79 m (9 ft. 2 in.)
<b>K</b> Ground Clearance	0.66 m (2 ft. 2 in.)	0.66 m (2 ft. 2 in.)	0.71 m (2 ft. 4 in.) / 0.66 m (2 ft. 2 in.)	0.71 m (2 ft. 4 in.)	0.71 m (2 ft. 4 in.)
<b>L</b> Undercarriage Width	3.32 m (10 ft. 11 in.)	3.32 m (10 ft. 11 in.)	3.49 m (11 ft. 6 in.) / 3.32 m (10 ft. 11 in.)	3.49 m (11 ft. 6 in.)	3.49 m (11 ft. 6 in.)



Machine not exactly as shown. Illustrations for dimensioning purposes only.





Machine not exactly as shown. Illustrations for dimensioning purposes only.

# 2454D



Engine	2454D Road Builder	2454D Processor	2454D Live Heel	2454D Butt & Top	2454D Power Clam
Manufacturer and Model	John Deere 6068H				
Non-Road Emission Standards	EPA Tier 3/EU Stage IIIA				
Cylinders	6				
Engine Displacement	6.8 L (415 cu. in.)				
Net Peak Power (ISO 9249)	145 kW (194 hp)				
Off-Level Capacity	100% (45 deg.)				
Aspiration	Turbocharged, air-to-air charge air cooler				
<b>Cooling</b>					
Fan Drive	Cool-on-demand hydraulic-driven, suction-type, remote-mounted drive				
Engine Coolant Rating	-37 deg. C (-34 deg. F)				
<b>Powertrain</b>					
2-speed propel with automatic shift					
Maximum Travel Speed					
Low	3.3 km/h (2.1 mph)				
High	5.5 km/h (3.4 mph)				
Controls	Pilot levers, low effort; hydraulic pilot with shutoff lever				
<b>Hydraulics</b>					
Open center, load sensing					
Main Pumps					
Maximum Rated Flow x 2	248 L/m (65.5 gpm)				
Pilot Pump (one gear)					
Maximum Rated Flow	37 L/m (9.7 gpm)				
System Relief Pressure	3900 kPa (566 psi)				
Secondary Pump (one gear)					
Maximum Rated Flow	37 L/m (9.7 gpm)				
System Relief Pressure	20 600 kPa (2,988 psi)				
System Operating Pressure					
Implement Circuits	34 336 kPa (4,980 psi)				
Travel Circuits	34 336 kPa (4,980 psi)				
Swing Circuits	32 405 kPa (4,700 psi)				
Power Boost	36 266 kPa (5,260 psi)				
Auxiliary Hydraulic Flow	Adjustable through monitor				
<b>Cylinders</b>					
Heat-treated, chrome-plated, polished cylinder rods; hardened steel (replaceable bushings) pivot pins					
Boom (2)					
Bore	125 mm (4.9 in.)	125 mm (4.9 in.)	140 mm (5.5 in.)	140 mm (5.5 in.)	140 mm (5.5 in.)
Rod Diameter	90 mm (3.5 in.)	90 mm (3.5 in.)	100 mm (3.9 in.)	100 mm (3.9 in.)	100 mm (3.9 in.)
Stroke	1390 mm (54.7 in.)	1390 mm (54.7 in.)	1340 mm (52.8 in.)	1340 mm (52.8 in.)	1340 mm (52.8 in.)
Arm (1)					
Bore	140 mm (5.5 in.)	140 mm (5.5 in.)	170 mm (6.7 in.)	170 mm (6.7 in.)	170 mm (6.7 in.)
Rod Diameter	100 mm (3.9 in.)	100 mm (3.9 in.)	115 mm (4.5 in.)	115 mm (4.5 in.)	115 mm (4.5 in.)
Stroke	1610 mm (63.4 in.)	1610 mm (63.4 in.)	1740 mm (68.5 in.)	1740 mm (68.5 in.)	1740 mm (68.5 in.)
Bucket (1)					
Bore	130 mm (5.1 in.)	N/A	N/A	N/A	N/A
Rod Diameter	90 mm (3.5 in.)	N/A	N/A	N/A	N/A
Stroke	1075 mm (42.3 in.)	N/A	N/A	N/A	N/A
Heel (1)					
Bore	N/A	N/A	135 mm (5.3 in.)	N/A	N/A
Rod Diameter	N/A	N/A	90 mm (3.5 in.)	N/A	N/A
Stroke	N/A	N/A	1070 mm (42.1 in.)	N/A	N/A
Tilt (1)					
Bore	N/A	N/A	N/A	115 mm (4.5 in.)	115 mm (4.5 in.)
Rod Diameter	N/A	N/A	N/A	80 mm (3.1 in.)	80 mm (3.1 in.)
Stroke	N/A	N/A	N/A	1060 mm (41.7 in.)	1060 mm (41.7 in.)

Specifications are subject to change without notice.



Electrical	2454D Road Builder	2454D Processor	2454D Live Heel	2454D Butt & Top	2454D Power Clam
Voltage	24 volt				
Batteries	2 x 12 volt				
Reserve Capacity	440 min.				
Alternator Rating	80 amp				
<b>Undercarriage</b>					
Carrier Rollers (per side)	2				
Track Rollers (per side)	8				
Shoes, Double Grousers (per side)	45				
Drawbar Pull	25 435 kg (56,075 lb.)				
Track Adjustment	Hydraulic				
Track Guides	Front and center				
<b>Upperstructure</b>					
Counterweight, Standard	4823 kg (10,633 lb.)	4823 kg (10,633 lb.)	5140 kg (11,332 lb.)	5140 kg (11,332 lb.)	5140 kg (11,332 lb.)
<b>Swing Mechanism</b>					
Swing Speed	12.6 rpm	12.6 rpm	10.6 rpm	10.6 rpm	10.6 rpm
Swing Torque	77 140 Nm (56,896 lb.-ft.)	77 140 Nm (56,896 lb.-ft.)	107 869 Nm (79,560 lb.-ft.)	107 869 Nm (79,560 lb.-ft.)	107 869 Nm (79,560 lb.-ft.)
<b>Ground Pressure</b>					
700-mm (28 in.) Double-Grouser Shoes	53.8 kPa (7.80 psi)	57.7 kPa (8.37 psi)	60.8 kPa (8.82 psi)	61.0 kPa (8.85 psi)	61.0 kPa (8.85 psi)
<b>Refill Capacities</b>					
Fuel Tank	1050.0 L (277.0 gal.)	1050.0 L (277.0 gal.)	1050.0 L (277.0 gal.)	1050.0 L (277.0 gal.)	1050.0 L (277.0 gal.)
Cooling System	29.9 L (8.0 gal.)	29.9 L (8.0 gal.)	31.0 L (8.0 gal.)	31.0 L (8.0 gal.)	31.0 L (8.0 gal.)
Engine Oil with Filter	24.6 L (7.0 gal.)	24.6 L (7.0 gal.)	24.6 L (7.0 gal.)	24.6 L (7.0 gal.)	24.6 L (7.0 gal.)
Hydraulic Tank	148.0 L (39.0 gal.)	148.0 L (39.0 gal.)	148.0 L (39.0 gal.)	148.0 L (39.0 gal.)	148.0 L (39.0 gal.)
Hydraulic System	280.0 L (74.0 gal.)	280.0 L (74.0 gal.)	310.0 L (82.0 gal.)	310.0 L (82.0 gal.)	310.0 L (82.0 gal.)
Propel Gearbox (each)	8.5 L (9.0 qt.)	8.5 L (9.0 qt.)	8.5 L (9.0 qt.)	8.5 L (9.0 qt.)	8.5 L (9.0 qt.)
Swing Gearbox	11.8 L (12.5 qt.)	11.8 L (12.5 qt.)	11.8 L (12.5 qt.)	11.8 L (12.5 qt.)	11.8 L (12.5 qt.)
Pump Drive Gearbox	1.1 L (1.2 qt.)	1.1 L (1.2 qt.)	1.1 L (1.2 qt.)	1.1 L (1.2 qt.)	1.1 L (1.2 qt.)
<b>Operating Weights</b>					
With 840-kg (1,818 lb.) full fuel tank, 79-kg (175 lb.) operator, and 700-mm (28 in.) double-grouser shoes					
	4823-kg (10,633 lb.) counterweight; 1.06-m <sup>3</sup> (1.38 cu. yd.), 1065-mm (42 in.), 996-kg (2,195 lb.) bucket; and 2.96-m (9 ft. 9 in.) arm	4823-kg (10,633 lb.) counterweight and 2177-kg (4,800 lb.) processor head	5140-kg (11,332 lb.) counterweight and 816-kg (1,800 lb.) grapple	5140-kg (11,332 lb.) counterweight and 2041-kg (4,500 lb.) grapple	5140-kg (11,332 lb.) counterweight and 2041-kg (4,500 lb.) grapple
SAE Operating Weight	31 218 kg (68,824 lb.)	33 490 kg (73,833 lb.)	35 300 kg (77,823 lb.)	35 370 kg (77,978 lb.)	35 370 kg (77,978 lb.)

**Lift Capacity — 2454D Road Builder with 2.96-m (9 ft. 9 in.) arm, 1.06-m<sup>3</sup> (1.38 cu. yd.) bucket, and 700-mm (28 in.) shoes**

Load Point Height	1.5 m (5 ft.)		3.1 m (10 ft.)		4.6 m (15 ft.)		6.1 m (20 ft.)		7.6 m (25 ft.)		9.1 m (30 ft.)	
	Over front	Over side	Over front	Over side	Over front	Over side	Over front	Over side	Over front	Over side	Over front	Over side
6.1 m (20 ft.)									<b>3738 kg</b> <b>(8,240 lb.)</b>	<b>3738 kg</b> <b>(8,240 lb.)</b>		
4.6 m (15 ft.)							4781 kg (10,540 lb.)	4781 kg (10,540 lb.)	4486 kg (9,890 lb.)	4091 kg (9,020 lb.)		
3.1 m (10 ft.)					7947 kg (17,520 lb.)	7947 kg (17,520 lb.)	5919 kg (13,050 lb.)	5711 kg (12,590 lb.)	5021 kg (11,070 lb.)	3915 kg (8,630 lb.)	3270 kg (7,210 lb.)	2771 kg (6,110 lb.)
1.5 m (5 ft.)					10 505 kg (23,160 lb.)	8192 kg (18,060 lb.)	7149 kg (15,760 lb.)	5316 kg (11,720 lb.)	5661 kg (12,480 lb.)	3710 kg (8,180 lb.)	4178 kg (9,210 lb.)	2685 kg (5,920 lb.)
Ground Line					11 626 kg (25,630 lb.)	7806 kg (17,210 lb.)	8038 kg (17,720 lb.)	5035 kg (11,100 lb.)	5711 kg (12,590 lb.)	3552 kg (7,830 lb.)	4191 kg (9,240 lb.)	2608 kg (5,750 lb.)
-1.5 m (-5 ft.)			5788 kg (12,760 lb.)	5788 kg (12,760 lb.)	11 635 kg (25,650 lb.)	7734 kg (17,050 lb.)	8033 kg (17,710 lb.)	4908 kg (10,820 lb.)	5611 kg (12,370 lb.)	3461 kg (7,630 lb.)		
-3.1 m (-10 ft.)			8777 kg (19,350 lb.)	8777 kg (19,350 lb.)	10 941 kg (24,120 lb.)	7802 kg (17,200 lb.)	8033 kg (17,710 lb.)	4908 kg (10,820 lb.)	5620 kg (12,390 lb.)	3470 kg (7,650 lb.)		
-4.6 m (-15 ft.)			12 519 kg (27,600 lb.)	12 519 kg (27,600 lb.)	9403 kg (20,730 lb.)	7997 kg (17,630 lb.)	7026 kg (15,490 lb.)	5039 kg (11,110 lb.)				

**Lift Capacity — 2454D Processor with processor arm, 2177-kg (4,800 lb.) attachment, and 700-mm (28 in.) shoes**

Load Point Height	1.5 m (5 ft.)		3.1 m (10 ft.)		4.6 m (15 ft.)		6.1 m (20 ft.)		7.6 m (25 ft.)		8.7 m (28.6 ft.)	
	Over front	Over side	Over front	Over side	Over front	Over side	Over front	Over side	Over front	Over side	Over front	Over side
7.6 m (25 ft.)							3084 kg (6,800 lb.)	3084 kg (6,800 lb.)				
6.1 m (20 ft.)							3402 kg (7,500 lb.)	3402 kg (7,500 lb.)	3402 kg (7,500 lb.)	3402 kg (7,500 lb.)		
4.6 m (15 ft.)			7121 kg (15,700 lb.)	7121 kg (15,700 lb.)	5080 kg (11,200 lb.)	5080 kg (11,200 lb.)	4173 kg (9,200 lb.)	4173 kg (9,200 lb.)	3765 kg (8,300 lb.)	3765 kg (8,300 lb.)		
3.1 m (10 ft.)			13 517 kg (29,800 lb.)	13 517 kg (29,800 lb.)	7394 kg (16,300 lb.)	7394 kg (16,300 lb.)	5307 kg (11,700 lb.)	5307 kg (11,700 lb.)	4309 kg (9,500 lb.)	4309 kg (9,500 lb.)		
1.5 m (5 ft.)			17 327 kg (38,200 lb.)	17 327 kg (38,200 lb.)	9435 kg (20,800 lb.)	9435 kg (20,800 lb.)	6396 kg (14,100 lb.)	6396 kg (14,100 lb.)	4899 kg (10,800 lb.)	4627 kg (10,200 lb.)	4128 kg (9,100 lb.)	3402 kg (7,500 lb.)
Ground Line			17 600 kg (38,800 lb.)	17 600 kg (38,800 lb.)	10 523 kg (23,200 lb.)	10 523 kg (23,200 lb.)	7121 kg (15,700 lb.)	6668 kg (14,700 lb.)	5307 kg (11,700 lb.)	4491 kg (9,900 lb.)		
-1.5 m (-5 ft.)	30 210 kg (66,600 lb.)	30 210 kg (66,600 lb.)	16 874 kg (37,200 lb.)	16 874 kg (37,200 lb.)	10 705 kg (23,600 lb.)	10 705 kg (23,600 lb.)	7394 kg (16,300 lb.)	6577 kg (14,500 lb.)	5352 kg (11,800 lb.)	4445 kg (9,800 lb.)		
-3.1 m (-10 ft.)	27 896 kg (61,500 lb.)	27 896 kg (61,500 lb.)	15 286 kg (33,700 lb.)	15 286 kg (33,700 lb.)	10 070 kg (22,200 lb.)	10 070 kg (22,200 lb.)	7031 kg (15,500 lb.)	6577 kg (14,500 lb.)				
-4.6 m (-15 ft.)			12 429 kg (27,400 lb.)	12 429 kg (27,400 lb.)	8301 kg (18,300 lb.)	8301 kg (18,300 lb.)						

Attachment weight is included when calculating the lift capacities.

**Boldface** type indicates hydraulic-limited capacities with power boost; **lightface** type indicates stability-limited capacities. Figures do not exceed 87 percent of hydraulic capacities or 75 percent of weight needed to tip machine.

Lift Capacity — 2454D Live Heel with 816-kg (1,800 lb.) grapple and 700-mm (28 in.) shoes												
Load Point Height	4.6 m (15 ft.)		6.1 m (20 ft.)		7.6 m (25 ft.)		9.1 m (30 ft.)		10.7 m (35 ft.)		11.7 m (38.3 ft.)	
	Over front	Over side	Over front	Over side	Over front	Over side	Over front	Over side	Over front	Over side	Over front	Over side
12.2 m (40 ft.)	<b>11 476 kg</b> (25,300 lb.)	<b>11 476 kg</b> (25,300 lb.)										
10.7 m (35 ft.)	<b>9208 kg</b> (20,300 lb.)	<b>9208 kg</b> (20,300 lb.)	<b>7983 kg</b> (17,600 lb.)	<b>7983 kg</b> (17,600 lb.)	<b>7076 kg</b> (15,600 lb.)	5489 kg (12,100 lb.)						
9.1 m (30 ft.)			<b>7484 kg</b> (16,500 lb.)	<b>7484 kg</b> (16,500 lb.)	<b>6668 kg</b> (14,700 lb.)	5715 kg (12,600 lb.)	5761 kg (12,700 lb.)	4173 kg (9,200 lb.)				
7.6 m (25 ft.)			<b>7530 kg</b> (16,600 lb.)	<b>7530 kg</b> (16,600 lb.)	<b>6623 kg</b> (14,600 lb.)	5897 kg (13,000 lb.)	5534 kg (12,200 lb.)	3946 kg (8,700 lb.)				
6.1 m (20 ft.)			<b>8029 kg</b> (17,700 lb.)	<b>8029 kg</b> (17,700 lb.)	<b>6849 kg</b> (15,100 lb.)	5851 kg (12,900 lb.)	5579 kg (12,300 lb.)	3992 kg (8,800 lb.)	4264 kg (9,400 lb.)	2994 kg (6,600 lb.)		
4.6 m (15 ft.)			<b>8664 kg</b> (19,100 lb.)	<b>8664 kg</b> (19,100 lb.)	<b>7258 kg</b> (16,000 lb.)	5761 kg (12,700 lb.)	5579 kg (12,300 lb.)	3992 kg (8,800 lb.)	4264 kg (9,400 lb.)	2994 kg (6,600 lb.)		
3.1 m (10 ft.)			<b>9253 kg</b> (20,400 lb.)	8482 kg (18,700 lb.)	7666 kg (16,900 lb.)	5534 kg (12,200 lb.)	5534 kg (12,200 lb.)	3946 kg (8,700 lb.)	4173 kg (9,200 lb.)	2903 kg (6,400 lb.)		
1.5 m (5 ft.)					7439 kg (16,400 lb.)	5443 kg (12,000 lb.)	5443 kg (12,000 lb.)	3856 kg (8,500 lb.)	4082 kg (9,000 lb.)	2858 kg (6,300 lb.)	3447 kg (7,600 lb.)	2359 kg (5,200 lb.)
Ground Line			<b>10 342 kg</b> (22,800 lb.)	7530 kg (16,600 lb.)	7258 kg (16,000 lb.)	5171 kg (11,400 lb.)	5307 kg (11,700 lb.)	3765 kg (8,300 lb.)	4037 kg (8,900 lb.)	2767 kg (6,100 lb.)		
-1.5 m (-5 ft.)			<b>9480 kg</b> (20,900 lb.)	7303 kg (16,100 lb.)	7121 kg (15,700 lb.)	5035 kg (11,100 lb.)	5216 kg (11,500 lb.)	3674 kg (8,100 lb.)	<b>3357 kg</b> (7,400 lb.)	2767 kg (6,100 lb.)		
-3.1 m (-10 ft.)			<b>7620 kg</b> (16,800 lb.)	7303 kg (16,100 lb.)	<b>5806 kg</b> (12,800 lb.)	5035 kg (11,100 lb.)	<b>4010 kg</b> (8,840 lb.)	3674 kg (8,100 lb.)				

Lift Capacity — 2454D Butt & Top with 2041-kg (4,500 lb.) grapple and 700-mm (28 in.) shoes												
Load Point Height	3.1 m (10 ft.)		4.6 m (15 ft.)		6.1 m (20 ft.)		7.6 m (25 ft.)		9.1 m (30 ft.)		10.7 m (35 ft.)	
	Over front	Over side	Over front	Over side	Over front	Over side	Over front	Over side	Over front	Over side	Over front	Over side
12.2 m (40 ft.)	<b>16 148 kg</b> (35,600 lb.)	<b>16 148 kg</b> (35,600 lb.)										
10.7 m (35 ft.)			<b>9616 kg</b> (21,200 lb.)	<b>9616 kg</b> (21,200 lb.)	<b>8392 kg</b> (18,500 lb.)	<b>8074 kg</b> (17,800 lb.)						
9.1 m (30 ft.)			<b>8709 kg</b> (19,200 lb.)	<b>8709 kg</b> (19,200 lb.)	<b>7530 kg</b> (16,600 lb.)	<b>7530 kg</b> (16,600 lb.)	<b>6759 kg</b> (14,900 lb.)	5307 kg (11,700 lb.)				
7.6 m (25 ft.)			<b>8709 kg</b> (19,200 lb.)	<b>8709 kg</b> (19,200 lb.)	<b>7484 kg</b> (16,500 lb.)	<b>7484 kg</b> (16,500 lb.)	<b>6532 kg</b> (14,400 lb.)	5443 kg (12,000 lb.)	5126 kg (11,300 lb.)	3538 kg (7,800 lb.)		
6.1 m (20 ft.)			<b>9571 kg</b> (21,100 lb.)	<b>9571 kg</b> (21,100 lb.)	<b>7893 kg</b> (17,400 lb.)	<b>7893 kg</b> (17,400 lb.)	<b>6668 kg</b> (14,700 lb.)	5352 kg (11,800 lb.)	5171 kg (11,400 lb.)	3629 kg (8,000 lb.)		
4.6 m (15 ft.)			<b>11 158 kg</b> (24,600 lb.)	<b>11 158 kg</b> (24,600 lb.)	<b>8618 kg</b> (19,000 lb.)	7983 kg (17,600 lb.)	<b>6985 kg</b> (15,400 lb.)	5216 kg (11,500 lb.)	5126 kg (11,300 lb.)	3538 kg (7,800 lb.)		
3.1 m (10 ft.)					<b>9435 kg</b> (20,800 lb.)	7575 kg (16,700 lb.)	7076 kg (15,600 lb.)	4990 kg (11,000 lb.)	5035 kg (11,100 lb.)	3447 kg (7,600 lb.)	<b>2087 kg</b> (4,600 lb.)	<b>2087 kg</b> (4,600 lb.)
1.5 m (5 ft.)					<b>9934 kg</b> (21,900 lb.)	7167 kg (15,800 lb.)	6849 kg (15,100 lb.)	4808 kg (10,600 lb.)	4899 kg (10,800 lb.)	3357 kg (7,400 lb.)	<b>2177 kg</b> (4,800 lb.)	<b>2177 kg</b> (4,800 lb.)
Ground Line			<b>13 699 kg</b> (30,200 lb.)	11 249 kg (24,800 lb.)	<b>9707 kg</b> (21,400 lb.)	6895 kg (15,200 lb.)	6713 kg (14,800 lb.)	4627 kg (10,200 lb.)	4853 kg (10,700 lb.)	3266 kg (7,200 lb.)	<b>2132 kg</b> (4,700 lb.)	<b>2132 kg</b> (4,700 lb.)
-1.5 m (-5 ft.)	<b>15 967 kg</b> (35,200 lb.)	<b>15 967 kg</b> (35,200 lb.)	<b>11 748 kg</b> (25,900 lb.)	11 068 kg (24,400 lb.)	<b>8528 kg</b> (18,800 lb.)	6759 kg (14,900 lb.)	<b>6124 kg</b> (13,500 lb.)	4581 kg (10,100 lb.)	<b>3901 kg</b> (8,600 lb.)	3266 kg (7,200 lb.)		
-3.1 m (-10 ft.)			<b>8482 kg</b> (18,700 lb.)	<b>8482 kg</b> (18,700 lb.)	<b>6305 kg</b> (13,900 lb.)	<b>6305 kg</b> (13,900 lb.)	<b>4173 kg</b> (9,200 lb.)	<b>4173 kg</b> (9,200 lb.)				

Attachment weight is included when calculating the lift capacities.

**Boldface** type indicates hydraulic-limited capacities with power boost; **lightface** type indicates stability-limited capacities. Figures do not exceed 87 percent of hydraulic capacities or 75 percent of weight needed to tip machine.

**Lift Capacity — 2454D Power Clam with 2041-kg (4,500 lb.) grapple and 700-mm (28 in.) shoes**

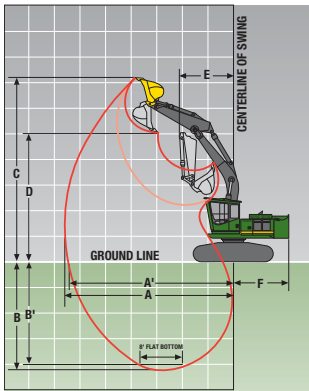
Load Point Height	3.1 m (10 ft.)		4.6 m (15 ft.)		6.1 m (20 ft.)		7.6 m (25 ft.)		9.1 m (30 ft.)		10.7 m (35 ft.)	
	Over front	Over side	Over front	Over side	Over front	Over side	Over front	Over side	Over front	Over side	Over front	Over side
12.2 m (40 ft.)	<b>16 148 kg</b> <b>(35,600 lb.)</b>	<b>16 148 kg</b> <b>(35,600 lb.)</b>										
10.7 m (35 ft.)			9616 kg (21,200 lb.)	9616 kg (21,200 lb.)	8392 kg (18,500 lb.)	8074 kg (17,800 lb.)						
9.1 m (30 ft.)			8709 kg (19,200 lb.)	8709 kg (19,200 lb.)	7530 kg (16,600 lb.)	7530 kg (16,600 lb.)	6759 kg (14,900 lb.)	5307 kg (11,700 lb.)				
7.6 m (25 ft.)			8709 kg (19,200 lb.)	8709 kg (19,200 lb.)	7484 kg (16,500 lb.)	7484 kg (16,500 lb.)	6532 kg (14,400 lb.)	5443 kg (12,000 lb.)	5126 kg (11,300 lb.)	3538 kg (7,800 lb.)		
6.1 m (20 ft.)			9571 kg (21,100 lb.)	9571 kg (21,100 lb.)	7893 kg (17,400 lb.)	7893 kg (17,400 lb.)	6668 kg (14,700 lb.)	5352 kg (11,800 lb.)	5171 kg (11,400 lb.)	3629 kg (8,000 lb.)		
4.6 m (15 ft.)			11 158 kg (24,600 lb.)	11 158 kg (24,600 lb.)	8618 kg (19,000 lb.)	7983 kg (17,600 lb.)	6985 kg (15,400 lb.)	5216 kg (11,500 lb.)	5126 kg (11,300 lb.)	3538 kg (7,800 lb.)		
3.1 m (10 ft.)					9435 kg (20,800 lb.)	7575 kg (16,700 lb.)	7076 kg (15,600 lb.)	4990 kg (11,000 lb.)	5035 kg (11,100 lb.)	3447 kg (7,600 lb.)	2087 kg (4,600 lb.)	2087 kg (4,600 lb.)
1.5 m (5 ft.)					9934 kg (21,900 lb.)	7167 kg (15,800 lb.)	6849 kg (15,100 lb.)	4808 kg (10,600 lb.)	4899 kg (10,800 lb.)	3357 kg (7,400 lb.)	2177 kg (4,800 lb.)	2177 kg (4,800 lb.)
Ground Line			13 699 kg (30,200 lb.)	11 249 kg (24,800 lb.)	9707 kg (21,400 lb.)	6895 kg (15,200 lb.)	6713 kg (14,800 lb.)	4627 kg (10,200 lb.)	4853 kg (10,700 lb.)	3266 kg (7,200 lb.)	2132 kg (4,700 lb.)	2132 kg (4,700 lb.)
-1.5 m (-5 ft.)	<b>15 967 kg</b> <b>(35,200 lb.)</b>	<b>15 967 kg</b> <b>(35,200 lb.)</b>	11 748 kg (25,900 lb.)	11 068 kg (24,400 lb.)	8528 kg (18,800 lb.)	6759 kg (14,900 lb.)	<b>6124 kg</b> <b>(13,500 lb.)</b>	4581 kg (10,100 lb.)	<b>3901 kg</b> <b>(8,600 lb.)</b>	3266 kg (7,200 lb.)		
-3.1 m (-10 ft.)			8482 kg (18,700 lb.)	8482 kg (18,700 lb.)	6305 kg (13,900 lb.)	6305 kg (13,900 lb.)	4173 kg (9,200 lb.)	4173 kg (9,200 lb.)				

Attachment weight is included when calculating the lift capacities.

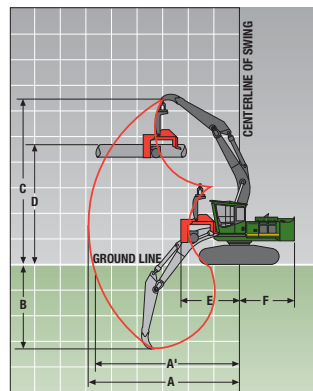
**Boldface** type indicates hydraulic-limited capacities with power boost; lightface type indicates stability-limited capacities. Figures do not exceed 87 percent of hydraulic capacities or 75 percent of weight needed to tip machine.

Operating Dimensions	2454D Road Builder	2454D Processor	2454D Live Heel	2454D Butt & Top	2454D Power Clam
Arm Length	2.96 m (9 ft. 9 in.)	3.43 m (11 ft. 3 in.)	N/A	N/A	N/A
Arm Force (with 700-mm [28 in.] double-grouser shoes and power boost)	122.9 kN (27,629 lb.)	N/A	N/A	N/A	N/A
Bucket Digging Force (with 700-mm [28 in.] double-grouser shoes and power boost)	167.0 kN (37,543 lb.)	N/A	N/A	N/A	N/A
Lifting Capacity Over Front at Ground Level, 6.1-m (20 ft.) Reach (with power boost) and Attachment	8038 kg (17,721 lb.)	7121 kg (15,700 lb.)	10 340 kg (22,796 lb.)	9707 kg (21,400 lb.)	9707 kg (21,400 lb.)
<b>A</b> Maximum Reach	10.10 m (33 ft. 2 in.)	8.94 m (29 ft. 4 in.)	11.67 m (38 ft. 3 in.)	10.68 m (35 ft. 0 in.)	10.68 m (35 ft. 0 in.)
<b>A'</b> Maximum Reach at Ground Level	9.86 m (32 ft. 4 in.)	8.66 m (28 ft. 5 in.)	11.43 m (37 ft. 6 in.)	10.43 m (34 ft. 3 in.)	10.43 m (34 ft. 3 in.)
<b>B</b> Maximum Depth	6.20 m (20 ft. 4 in.)	4.92 m (16 ft. 2 in.)	4.82 m (15 ft. 10 in.)	3.68 m (12 ft. 1 in.)	3.68 m (12 ft. 1 in.)
<b>C</b> Maximum Height	10.54 m (34 ft. 7 in.)	N/A	13.67 m (44 ft. 10 in.)	12.76 m (41 ft. 10 in.)	12.76 m (41 ft. 10 in.)
<b>D</b> Maximum Dumping Height	7.85 m (25 ft. 9 in.)	N/A	N/A	N/A	N/A
Maximum Log-Level Height	N/A	7.08 m (23 ft. 3 in.)	8.82 m (28 ft. 11 in.)	9.91 m (32 ft. 6 in.)	8.91 m (29 ft. 3 in.)
<b>E</b> Minimum Swing Radius	3.17 m (10 ft. 5 in.)	3.47 m (11 ft. 5 in.)	4.77 m (15 ft. 8 in.)	4.47 m (14 ft. 8 in.)	4.47 m (14 ft. 8 in.)
<b>F</b> Tail Swing Radius	3.30 m (10 ft. 10 in.)	3.30 m (10 ft. 10 in.)	3.30 m (10 ft. 10 in.)	3.30 m (10 ft. 10 in.)	3.30 m (10 ft. 10 in.)

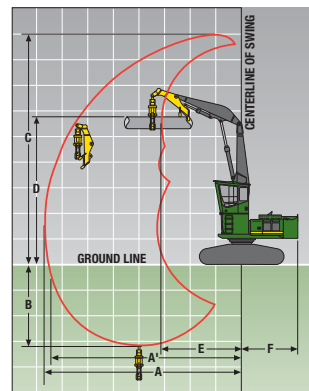
2454D Road-Builder Envelope



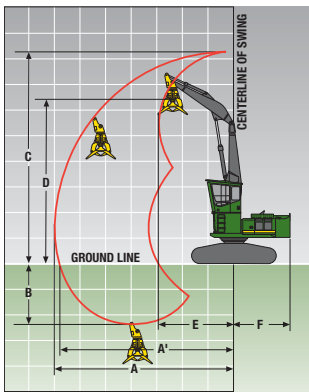
2454D Processor Envelope



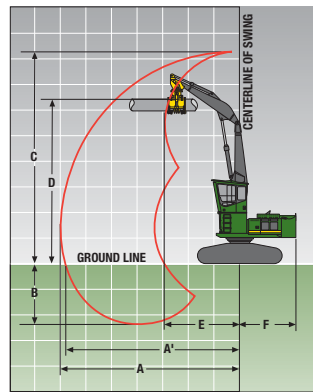
2454D Live-Heel Envelope



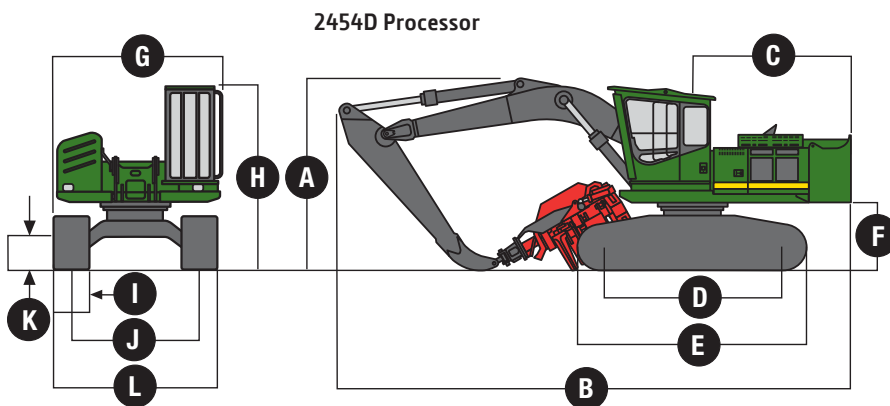
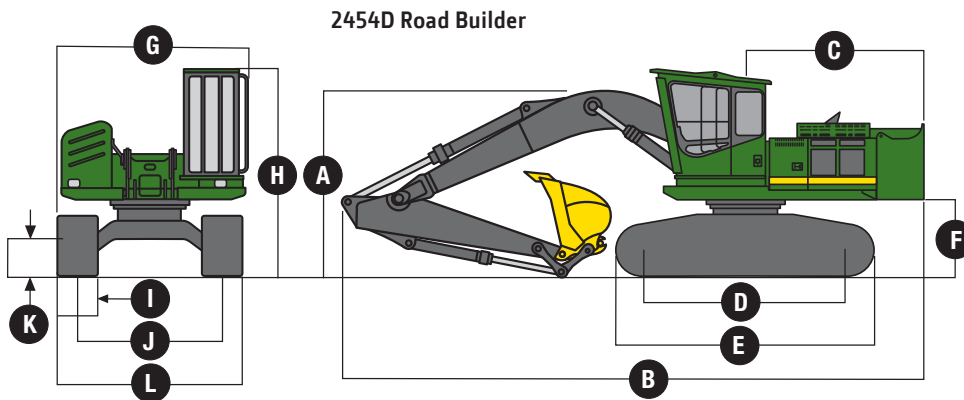
2454D Butt & Top Envelope



2454D Power-Clam Envelope

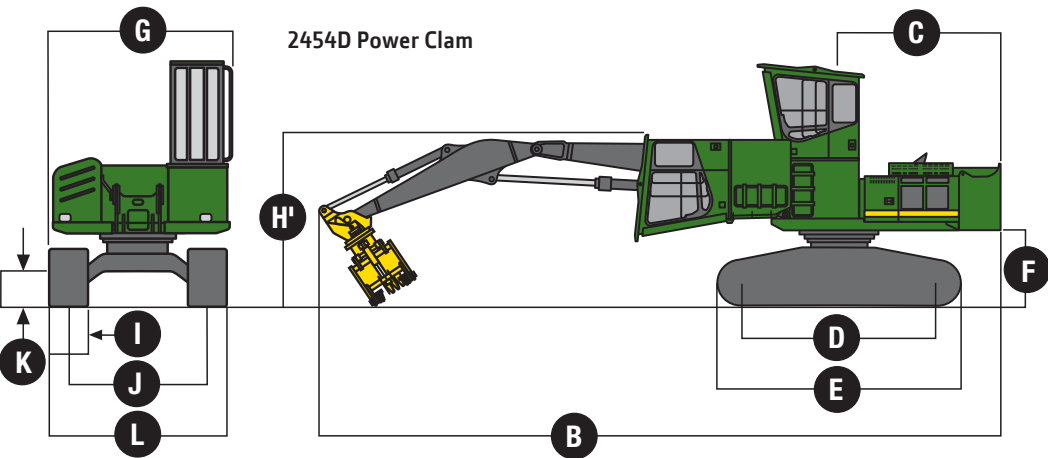
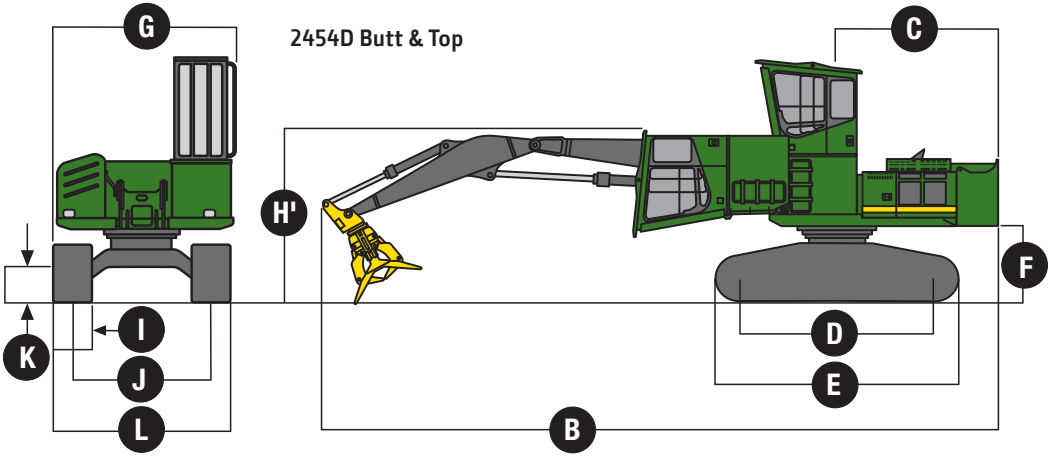
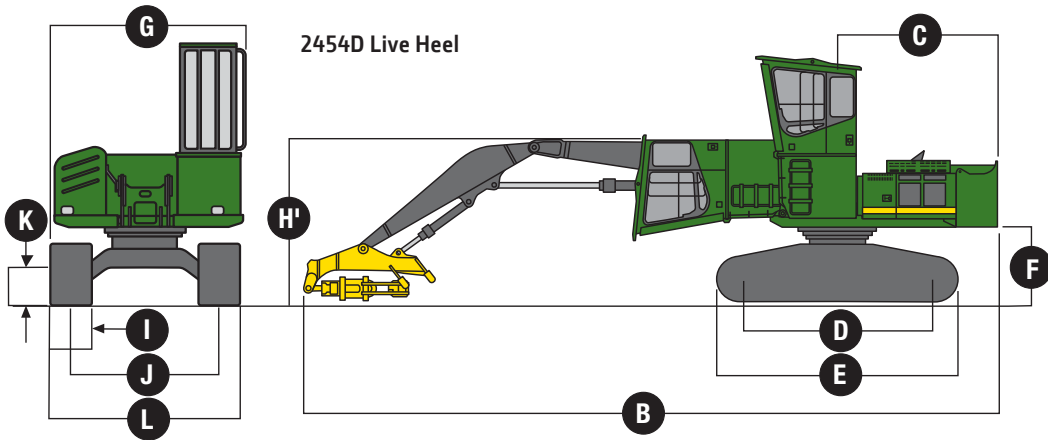


Machine Dimensions	2454D Road Builder	2454D Processor	2454D Live Heel	2454D Butt & Top	2454D Power Clam
<b>A</b> Height	3.74 m (12 ft. 4 in.)	3.99 m (13 ft. 1 in.)	N/A	N/A	N/A
<b>B</b> Overall Length	10.46 m (34 ft. 4 in.)	10.77 m (35 ft. 4 in.)	14.32 m (47 ft. 0 in.)	14.37 m (47 ft. 2 in.)	14.44 m (47 ft. 4 in.)
<b>C</b> Rear-End Length / Swing Radius	3.25 m (10 ft. 8 in.)	3.25 m (10 ft. 8 in.)	3.25 m (10 ft. 8 in.)	3.25 m (10 ft. 8 in.)	3.25 m (10 ft. 8 in.)
<b>D</b> Distance Between Idler / Sprocket Centerline	3.73 m (12 ft. 3 in.)	3.73 m (12 ft. 3 in.)	3.73 m (12 ft. 3 in.)	3.73 m (12 ft. 3 in.)	3.73 m (12 ft. 3 in.)
<b>E</b> Undercarriage Length	4.69 m (15 ft. 5 in.)	4.69 m (15 ft. 5 in.)	4.69 m (15 ft. 5 in.)	4.69 m (15 ft. 5 in.)	4.69 m (15 ft. 5 in.)
<b>F</b> Counterweight Clearance	1.40 m (4 ft. 7 in.)	1.40 m (4 ft. 7 in.)	1.46 m (4 ft. 10 in.)	1.46 m (4 ft. 10 in.)	1.46 m (4 ft. 10 in.)
<b>G</b> Upperstructure Width	3.39 m (11 ft. 2 in.)	3.39 m (11 ft. 2 in.)	3.58 m (11 ft. 9 in.)	3.58 m (11 ft. 9 in.)	3.58 m (11 ft. 9 in.)
<b>H</b> Cab Height	3.77 m (12 ft. 5 in.)	3.77 m (12 ft. 5 in.)	N/A	N/A	N/A
<b>H'</b> Cab Height (transport)	N/A	N/A	3.52 m (11 ft. 6 in.)	3.52 m (11 ft. 6 in.)	3.52 m (11 ft. 6 in.)
<b>I</b> Track Width (with 700-mm [28 in.] double-grouser shoes)	0.70 m (2 ft. 4 in.)	0.70 m (2 ft. 4 in.)	0.70 m (2 ft. 4 in.)	0.70 m (2 ft. 4 in.)	0.70 m (2 ft. 4 in.)
<b>J</b> Gauge Width	2.62 m (8 ft. 7 in.)	2.62 m (8 ft. 7 in.)	2.79 m (9 ft. 2 in.)	2.79 m (9 ft. 2 in.)	2.79 m (9 ft. 2 in.)
<b>K</b> Ground Clearance	0.71 m (2 ft. 4 in.)	0.71 m (2 ft. 4 in.)	0.76 m (2 ft. 6 in.)	0.76 m (2 ft. 6 in.)	0.76 m (2 ft. 6 in.)
<b>L</b> Undercarriage Width	3.32 m (10 ft. 11 in.)	3.32 m (10 ft. 11 in.)	3.49 m (11 ft. 6 in.)	3.49 m (11 ft. 6 in.)	3.49 m (11 ft. 6 in.)



Machine not exactly as shown. Illustrations for dimensioning purposes only.





# 2954D



Engine	2954D Road Builder	2954D Processor	2954D Live Heel	2954D Butt & Top	2954D Power Clam
Manufacturer and Model	John Deere 6068H				
Non-Road Emission Standards	EPA Tier 3/EU Stage IIIA				
Cylinders	6				
Engine Displacement	6.8 L (415 cu. in.)				
Net Peak Power (ISO 9249)	145 kW (194 hp)				
Off-Level Capacity	100% (45 deg.)				
Aspiration	Turbocharged, air-to-air charge air cooler				
<b>Cooling</b>					
Fan Drive	Cool-on-demand hydraulic-driven, suction-type, remote-mounted drive				
Engine Coolant Rating	-37 deg. C (-34 deg. F)				
<b>Powertrain</b>					
2-speed propel with automatic shift					
Maximum Travel Speed					
Low	1.6 km/h (1.0 mph)				
High	4.0 km/h (2.5 mph)				
Controls	Pilot levers, low effort; hydraulic pilot with shutoff lever				
<b>Hydraulics</b>					
Open center, load sensing					
Main Pumps					
Maximum Rated Flow x 2	248 L/m (65.5 gpm)				
Pilot Pump (one gear)					
Maximum Rated Flow	37 L/m (9.7 gpm)				
System Relief Pressure	3900 kPa (566 psi)				
Secondary Pump (one gear)					
Maximum Rated Flow	37 L/m (9.7 gpm)				
System Relief Pressure	20 600 kPa (2,988 psi)				
System Operating Pressure					
Implement Circuits	34 336 kPa (4,980 psi)				
Travel Circuits	34 336 kPa (4,980 psi)				
Swing Circuits	32 405 kPa (4,700 psi)				
Power Boost	36 266 kPa (5,260 psi)				
Auxiliary Hydraulic Flow	Adjustable through monitor				
<b>Cylinders</b>					
Heat-treated, chrome-plated, polished cylinder rods; hardened steel (replaceable bushings) pivot pins					
Boom (2)					
Bore	135 mm (5.3 in.)	135 mm (5.3 in.)	150 mm (5.9 in.)	150 mm (5.9 in.)	150 mm (5.9 in.)
Rod Diameter	95 mm (3.7 in.)	95 mm (3.7 in.)	105 mm (4.1 in.)	105 mm (4.1 in.)	105 mm (4.1 in.)
Stroke	1360 mm (53.5 in.)	1360 mm (53.5 in.)	1307 mm (51.5 in.)	1307 mm (51.5 in.)	1307 mm (51.5 in.)
Arm (1)					
Bore	150 mm (5.9 in.)	150 mm (5.9 in.)	170 mm (6.7 in.)	170 mm (6.7 in.)	170 mm (6.7 in.)
Rod Diameter	105 mm (4.1 in.)	105 mm (4.1 in.)	115 mm (4.5 in.)	115 mm (4.5 in.)	115 mm (4.5 in.)
Stroke	1659 mm (65.3 in.)	1659 mm (65.3 in.)	1740 mm (68.5 in.)	1740 mm (68.5 in.)	1740 mm (68.5 in.)
Bucket (1)					
Bore	135 mm (5.3 in.)	N/A	N/A	N/A	N/A
Rod Diameter	90 mm (3.5 in.)	N/A	N/A	N/A	N/A
Stroke	1070 mm (42.1 in.)	N/A	N/A	N/A	N/A
Heel (1)					
Bore	N/A	N/A	135 mm (5.3 in.)	N/A	N/A
Rod Diameter	N/A	N/A	90 mm (3.5 in.)	N/A	N/A
Stroke	N/A	N/A	1070 mm (42.1 in.)	N/A	N/A
Tilt (1)					
Bore	N/A	N/A	N/A	115 mm (4.5 in.)	115 mm (4.5 in.)
Rod Diameter	N/A	N/A	N/A	80 mm (3.1 in.)	80 mm (3.1 in.)
Stroke	N/A	N/A	N/A	1060 mm (41.7 in.)	1060 mm (41.7 in.)

Specifications are subject to change without notice.



Electrical	2954D Road Builder	2954D Processor	2954D Live Heel	2954D Butt & Top	2954D Power Clam
Voltage	24 volt				
Batteries	2 x 12 volt				
Reserve Capacity	440 min.				
Alternator Rating	80 amp				
Undercarriage					
Carrier Rollers (per side)	2				
Track Rollers (per side)	9				
Shoes, Double Grousers (per side)	48				
Drawbar Pull	30 812 kg (67,929 lb.)				
Track Adjustment	Hydraulic				
Track Guides	Front and center				
Upperstructure					
Counterweight, Standard	5140 kg (11,332 lb.)	5140 kg (11,332 lb.)	7510 kg (16,557 lb.)	7510 kg (16,557 lb.)	7510 kg (16,557 lb.)
Swing Mechanism					
Swing Speed	8.7 rpm				
Swing Torque	111 194 Nm (81,950 lb.-ft.)	111 194 Nm (81,950 lb.-ft.)	111 194 Nm (81,950 lb.-ft.)	111 194 Nm (81,950 lb.-ft.)	111 194 Nm (81,950 lb.-ft.)
Ground Pressure					
700-mm (28 in.) Double-Grouser Shoes	55.0 kPa (7.98 psi)	59.3 kPa (8.59 psi)	65.9 kPa (9.56 psi)	66.0 kPa (9.57 psi)	66.0 kPa (9.57 psi)
Refill Capacities					
Fuel Tank	1050.0 L (277.0 gal.)				
Cooling System	29.9 L (8.0 gal.)				
Engine Oil with Filter	24.6 L (7.0 gal.)				
Hydraulic Tank	148.0 L (39.0 gal.)				
Hydraulic System	280.0 L (74.0 gal.)				
Propel Gearbox (each)	8.5 L (9.0 qt.)				
Swing Gearbox	17.0 L (18.0 qt.)				
Pump Drive Gearbox	1.1 L (1.2 qt.)				
Operating Weights					
With 840-kg (1,818 lb.) full fuel tank, 79-kg (175 lb.) operator, and 700-mm (28 in.) double-grouser shoes					
	5140-kg (11,332 lb.) counterweight; 1.34-m <sup>3</sup> (1.75 cu. yd.), 1065-mm (42 in.), 1034-kg (2,279 lb.) bucket; and 3.11-m (10 ft. 2 in.) arm	5140-kg (11,332 lb.) counterweight and 3450-kg (7,600 lb.) processor head	7510-kg (16,557 lb.) counterweight and 1090-kg (2,400 lb.) grapple	7510-kg (16,557 lb.) counterweight and 2267-kg (5,000 lb.) grapple	7510-kg (16,557 lb.) counterweight and 2267-kg (5,000 lb.) grapple
SAE Operating Weight	34 253 kg (75,515 lb.)	36 900 kg (81,351 lb.)	41 050 kg (90,500 lb.)	41 100 kg (90,610 lb.)	41 100 kg (90,610 lb.)

**Lift Capacity — 2954D Road Builder with 3.11-m (10 ft. 2 in.) arm, 1034-kg (2,279 lb.) bucket, and 700-mm (28 in.) shoes**

Load Point Height	3.1 m (10 ft.)		4.6 m (15 ft.)		6.1 m (20 ft.)		7.6 m (25 ft.)		9.1 m (30 ft.)	
	Over front	Over side	Over front	Over side	Over front	Over side	Over front	Over side	Over front	Over side
6.1 m (20 ft.)							<b>4586 kg</b> <b>(10,110 lb.)</b>	<b>4586 kg</b> <b>(10,110 lb.)</b>		
4.6 m (15 ft.)					<b>5334 kg</b> <b>(11,760 lb.)</b>	<b>5334 kg</b> <b>(11,760 lb.)</b>	<b>4990 kg</b> <b>(11,000 lb.)</b>	4980 kg (10,980 lb.)	<b>3788 kg</b> <b>(8,350 lb.)</b>	3529 kg (7,780 lb.)
3.1 m (10 ft.)			<b>9290 kg</b> <b>(20,480 lb.)</b>	<b>9290 kg</b> <b>(20,480 lb.)</b>	<b>6786 kg</b> <b>(14,960 lb.)</b>	<b>6786 kg</b> <b>(14,960 lb.)</b>	<b>5715 kg</b> <b>(12,600 lb.)</b>	4758 kg (10,490 lb.)	<b>5230 kg</b> <b>(11,530 lb.)</b>	3443 kg (7,590 lb.)
1.5 m (5 ft.)			<b>12 388 kg</b> <b>(27,310 lb.)</b>	9789 kg (21,580 lb.)	<b>8310 kg</b> <b>(18,320 lb.)</b>	6405 kg (14,120 lb.)	<b>6545 kg</b> <b>(14,430 lb.)</b>	4527 kg (9,980 lb.)	<b>5647 kg</b> <b>(12,450 lb.)</b>	3325 kg (7,330 lb.)
Ground Line			<b>12 973 kg</b> <b>(28,600 lb.)</b>	9403 kg (20,730 lb.)	<b>9421 kg</b> <b>(20,770 lb.)</b>	6096 kg (13,440 lb.)	<b>7239 kg</b> <b>(15,960 lb.)</b>	4336 kg (9,560 lb.)	5561 kg (12,260 lb.)	3230 kg (7,120 lb.)
-1.5 m (-5 ft.)	<b>6559 kg</b> <b>(14,460 lb.)</b>	<b>6559 kg</b> <b>(14,460 lb.)</b>	<b>13 730 kg</b> <b>(30,270 lb.)</b>	9340 kg (20,590 lb.)	<b>9925 kg</b> <b>(21,880 lb.)</b>	5956 kg (13,130 lb.)	7317 kg (16,130 lb.)	4237 kg (9,340 lb.)	5516 kg (12,160 lb.)	3189 kg (7,030 lb.)
-3.1 m (-10 ft.)	<b>10 564 kg</b> <b>(23,290 lb.)</b>	<b>10 564 kg</b> <b>(23,290 lb.)</b>	<b>13 186 kg</b> <b>(29,070 lb.)</b>	9417 kg (20,760 lb.)	<b>9784 kg</b> <b>(21,570 lb.)</b>	5956 kg (13,130 lb.)	7312 kg (16,120 lb.)	4232 kg (9,330 lb.)		
-4.6 m (-15 ft.)	<b>13 381 kg</b> <b>(29,500 lb.)</b>	<b>13 381 kg</b> <b>(29,500 lb.)</b>	<b>11 703 kg</b> <b>(25,800 lb.)</b>	9630 kg (21,230 lb.)	<b>8809 kg</b> <b>(19,420 lb.)</b>	6087 kg (13,420 lb.)				

**Lift Capacity — 2954D Processor with processor arm, 3450-kg (7,600 lb.) attachment, and 700-mm (28 in.) shoes**

Load Point Height	3.1 m (10 ft.)		4.6 m (15 ft.)		6.1 m (20 ft.)		7.6 m (25 ft.)		9.1 m (30 ft.)	
	Over front	Over side	Over front	Over side	Over front	Over side	Over front	Over side	Over front	Over side
9.1 m (30 ft.)					<b>2449 kg</b> <b>(5,400 lb.)</b>	<b>2449 kg</b> <b>(5,400 lb.)</b>				
7.6 m (25 ft.)					<b>2223 kg</b> <b>(4,900 lb.)</b>	<b>2223 kg</b> <b>(4,900 lb.)</b>	<b>1814 kg</b> <b>(4,000 lb.)</b>	<b>1814 kg</b> <b>(4,000 lb.)</b>		
6.1 m (20 ft.)					<b>2722 kg</b> <b>(6,000 lb.)</b>	<b>2722 kg</b> <b>(6,000 lb.)</b>	<b>2722 kg</b> <b>(6,000 lb.)</b>	<b>2722 kg</b> <b>(6,000 lb.)</b>		
4.6 m (15 ft.)	<b>7348 kg</b> <b>(16,200 lb.)</b>	<b>7348 kg</b> <b>(16,200 lb.)</b>	<b>4808 kg</b> <b>(10,600 lb.)</b>	<b>4808 kg</b> <b>(10,600 lb.)</b>	<b>3765 kg</b> <b>(8,300 lb.)</b>	<b>3765 kg</b> <b>(8,300 lb.)</b>	<b>3221 kg</b> <b>(7,100 lb.)</b>	<b>3221 kg</b> <b>(7,100 lb.)</b>	<b>1588 kg</b> <b>(3,500 lb.)</b>	<b>1588 kg</b> <b>(3,500 lb.)</b>
3.1 m (10 ft.)	<b>15 059 kg</b> <b>(33,200 lb.)</b>	<b>15 059 kg</b> <b>(33,200 lb.)</b>	<b>7575 kg</b> <b>(16,700 lb.)</b>	<b>7575 kg</b> <b>(16,700 lb.)</b>	<b>5126 kg</b> <b>(11,300 lb.)</b>	<b>5126 kg</b> <b>(11,300 lb.)</b>	<b>3946 kg</b> <b>(8,700 lb.)</b>	<b>3946 kg</b> <b>(8,700 lb.)</b>	<b>2994 kg</b> <b>(6,600 lb.)</b>	<b>2994 kg</b> <b>(6,600 lb.)</b>
1.5 m (5 ft.)	<b>19 006 kg</b> <b>(41,900 lb.)</b>	<b>19 006 kg</b> <b>(41,900 lb.)</b>	<b>9979 kg</b> <b>(22,000 lb.)</b>	<b>9979 kg</b> <b>(22,000 lb.)</b>	<b>6396 kg</b> <b>(14,100 lb.)</b>	<b>6396 kg</b> <b>(14,100 lb.)</b>	<b>4672 kg</b> <b>(10,300 lb.)</b>	4355 kg (9,600 lb.)	<b>3674 kg</b> <b>(8,100 lb.)</b>	2858 kg (6,300 lb.)
Ground Line	<b>19 323 kg</b> <b>(42,600 lb.)</b>	<b>19 323 kg</b> <b>(42,600 lb.)</b>	<b>11 249 kg</b> <b>(24,800 lb.)</b>	11 204 kg (24,700 lb.)	<b>7348 kg</b> <b>(16,200 lb.)</b>	6577 kg (14,500 lb.)	<b>5262 kg</b> <b>(11,600 lb.)</b>	4218 kg (9,300 lb.)	<b>3039 kg</b> <b>(6,700 lb.)</b>	2812 kg (6,200 lb.)
-1.5 m (-5 ft.)	<b>18 597 kg</b> <b>(41,000 lb.)</b>	<b>18 597 kg</b> <b>(41,000 lb.)</b>	<b>11 567 kg</b> <b>(25,500 lb.)</b>	11 113 kg (24,500 lb.)	<b>7757 kg</b> <b>(17,100 lb.)</b>	6486 kg (14,300 lb.)	<b>5534 kg</b> <b>(12,200 lb.)</b>	4128 kg (9,100 lb.)		
-3.1 m (-10 ft.)	<b>16 783 kg</b> <b>(37,000 lb.)</b>	<b>16 783 kg</b> <b>(37,000 lb.)</b>	<b>10 977 kg</b> <b>(24,200 lb.)</b>	<b>10 977 kg</b> <b>(24,200 lb.)</b>	<b>7484 kg</b> <b>(16,500 lb.)</b>	6486 kg (14,300 lb.)	<b>5171 kg</b> <b>(11,400 lb.)</b>	4173 kg (9,200 lb.)		
-4.6 m (-15 ft.)	<b>14 288 kg</b> <b>(31,500 lb.)</b>	<b>14 288 kg</b> <b>(31,500 lb.)</b>	<b>9344 kg</b> <b>(20,600 lb.)</b>	<b>9344 kg</b> <b>(20,600 lb.)</b>	<b>6124 kg</b> <b>(13,500 lb.)</b>	<b>6124 kg</b> <b>(13,500 lb.)</b>				

Attachment weight is included when calculating the lift capacities.

**Boldface** type indicates hydraulic-limited capacities with power boost; **lightface** type indicates stability-limited capacities. Figures do not exceed 87 percent of hydraulic capacities or 75 percent of weight needed to tip machine.

Lift Capacity — 2954D Live Heel with 1090-kg (2,400 lb.) grapple and 700-mm (28 in.) shoes												
Load Point Height	4.6 m (15 ft.)		6.1 m (20 ft.)		7.6 m (25 ft.)		9.1 m (30 ft.)		10.7 m (35 ft.)		12.2 m (40 ft.)	
	Over front	Over side	Over front	Over side	Over front	Over side	Over front	Over side	Over front	Over side	Over front	Over side
13.7 m (45 ft.)	<b>12 474 kg</b> (27,500 lb.)	<b>12 474 kg</b> (27,500 lb.)										
12.2 m (40 ft.)	<b>11 884 kg</b> (26,200 lb.)	<b>11 884 kg</b> (26,200 lb.)	10 433 kg (23,000 lb.)	10 342 kg (22,800 lb.)								
10.7 m (35 ft.)			8891 kg (19,600 lb.)	8891 kg (19,600 lb.)	8029 kg (17,700 lb.)	7348 kg (16,200 lb.)	6895 kg (15,200 lb.)	5489 kg (12,100 lb.)				
9.1 m (30 ft.)			8573 kg (18,900 lb.)	8573 kg (18,900 lb.)	7620 kg (16,800 lb.)	7620 kg (16,800 lb.)	6849 kg (15,100 lb.)	5216 kg (11,500 lb.)				
7.6 m (25 ft.)			8709 kg (19,200 lb.)	8709 kg (19,200 lb.)	7666 kg (16,900 lb.)	7666 kg (16,900 lb.)	6759 kg (14,900 lb.)	5443 kg (12,000 lb.)	<b>5851 kg</b> (12,900 lb.)	4173 kg (9,200 lb.)		
6.1 m (20 ft.)			9389 kg (20,700 lb.)	9389 kg (20,700 lb.)	7983 kg (17,600 lb.)	7802 kg (17,200 lb.)	6895 kg (15,200 lb.)	5443 kg (12,000 lb.)	<b>5851 kg</b> (12,900 lb.)	4037 kg (8,900 lb.)		
4.6 m (15 ft.)			10 387 kg (22,900 lb.)	10 387 kg (22,900 lb.)	8528 kg (18,800 lb.)	7575 kg (16,700 lb.)	<b>7076 kg</b> (15,600 lb.)	5352 kg (11,800 lb.)	5897 kg (13,000 lb.)	4037 kg (8,900 lb.)	6700 kg (10,100 lb.)	3039 kg (6,700 lb.)
3.1 m (10 ft.)			10 977 kg (24,200 lb.)	10 977 kg (24,200 lb.)	9027 kg (19,900 lb.)	7258 kg (16,000 lb.)	<b>7258 kg</b> (16,000 lb.)	5216 kg (11,500 lb.)	5851 kg (12,900 lb.)	3992 kg (8,800 lb.)	4536 kg (10,000 lb.)	2994 kg (6,600 lb.)
1.5 m (5 ft.)					9344 kg (20,600 lb.)	6985 kg (15,400 lb.)	<b>7348 kg</b> (16,200 lb.)	5171 kg (11,400 lb.)	5761 kg (12,700 lb.)	3901 kg (8,600 lb.)	<b>4355 kg</b> (9,600 lb.)	2948 kg (6,500 lb.)
Ground Line			12 247 kg (27,000 lb.)	9707 kg (21,400 lb.)	9253 kg (20,400 lb.)	6804 kg (15,000 lb.)	<b>7212 kg</b> (15,900 lb.)	4990 kg (11,000 lb.)	<b>5579 kg</b> (12,300 lb.)	3765 kg (8,300 lb.)	<b>3583 kg</b> (7,900 lb.)	2903 kg (6,400 lb.)
-1.5 m (-5 ft.)			11 249 kg (24,800 lb.)	9389 kg (20,700 lb.)	8618 kg (19,000 lb.)	6577 kg (14,500 lb.)	<b>6623 kg</b> (14,600 lb.)	4853 kg (10,700 lb.)	<b>4853 kg</b> (10,700 lb.)	3719 kg (8,200 lb.)		
-3.1 m (-10 ft.)			9117 kg (20,100 lb.)	9117 kg (20,100 lb.)	7212 kg (15,900 lb.)	6486 kg (14,300 lb.)	<b>5398 kg</b> (11,900 lb.)	4808 kg (10,600 lb.)	<b>3357 kg</b> (7,400 lb.)	<b>3357 kg</b> (7,400 lb.)		

Lift Capacity — 2954D Butt & Top with 2267-kg (5,000 lb.) grapple and 700-mm (28 in.) shoes												
Load Point Height	4.6 m (15 ft.)		6.1 m (20 ft.)		7.6 m (25 ft.)		9.1 m (30 ft.)		10.7 m (35 ft.)			
	Over front	Over side	Over front	Over side	Over front	Over side	Over front	Over side	Over front	Over side	Over front	Over side
12.2 m (40 ft.)	<b>13 154 kg</b> (29,000 lb.)	<b>13 154 kg</b> (29,000 lb.)										
10.7 m (35 ft.)	<b>10 977 kg</b> (24,200 lb.)	<b>10 977 kg</b> (24,200 lb.)	9253 kg (20,400 lb.)	9253 kg (20,400 lb.)								
9.1 m (30 ft.)			8664 kg (19,100 lb.)	8664 kg (19,100 lb.)	7620 kg (16,800 lb.)	7121 kg (15,700 lb.)						
7.6 m (25 ft.)			8709 kg (19,200 lb.)	8709 kg (19,200 lb.)	7530 kg (16,600 lb.)	7167 kg (15,800 lb.)	<b>6532 kg</b> (14,400 lb.)	4853 kg (10,700 lb.)				
6.1 m (20 ft.)	<b>11 476 kg</b> (25,300 lb.)	<b>11 476 kg</b> (25,300 lb.)	9253 kg (20,400 lb.)	9253 kg (20,400 lb.)	7757 kg (17,100 lb.)	7031 kg (15,500 lb.)	<b>6532 kg</b> (14,400 lb.)	4808 kg (10,600 lb.)				
4.6 m (15 ft.)	<b>13 426 kg</b> (29,600 lb.)	<b>13 426 kg</b> (29,600 lb.)	10 161 kg (22,400 lb.)	10 161 kg (22,400 lb.)	8165 kg (18,000 lb.)	6804 kg (15,000 lb.)	<b>6668 kg</b> (14,700 lb.)	4717 kg (10,400 lb.)	5126 kg (11,300 lb.)	3311 kg (7,300 lb.)		
3.1 m (10 ft.)			11 113 kg (24,500 lb.)	9707 kg (21,400 lb.)	8528 kg (18,800 lb.)	6486 kg (14,300 lb.)	<b>6759 kg</b> (14,900 lb.)	4581 kg (10,100 lb.)	5080 kg (11,200 lb.)	3266 kg (7,200 lb.)		
1.5 m (5 ft.)			11 657 kg (25,700 lb.)	9163 kg (20,200 lb.)	8664 kg (19,100 lb.)	6214 kg (13,700 lb.)	<b>6623 kg</b> (14,600 lb.)	4400 kg (9,700 lb.)	<b>4745 kg</b> (10,460 lb.)	3175 kg (7,000 lb.)		
Ground Line	<b>15 921 kg</b> (35,100 lb.)	14 243 kg (31,400 lb.)	11 295 kg (24,900 lb.)	8800 kg (19,400 lb.)	<b>8346 kg</b> (18,400 lb.)	5987 kg (13,200 lb.)	<b>6124 kg</b> (13,500 lb.)	4309 kg (9,500 lb.)	<b>3810 kg</b> (8,400 lb.)	3175 kg (7,000 lb.)		
-1.5 m (-5 ft.)	<b>13 472 kg</b> (29,700 lb.)	<b>13 472 kg</b> (29,700 lb.)	9934 kg (21,900 lb.)	8573 kg (18,900 lb.)	7258 kg (16,000 lb.)	5851 kg (12,900 lb.)	<b>4990 kg</b> (11,000 lb.)	4218 kg (9,300 lb.)				
-3.1 m (-10 ft.)	9707 kg (21,400 lb.)	9707 kg (21,400 lb.)	7439 kg (16,400 lb.)	7439 kg (16,400 lb.)	5216 kg (11,500 lb.)	5216 kg (11,500 lb.)						

Attachment weight is included when calculating the lift capacities.

**Boldface** type indicates hydraulic-limited capacities with power boost; lightface type indicates stability-limited capacities.

Figures do not exceed 87 percent of hydraulic capacities or 75 percent of weight needed to tip machine.

**Lift Capacity — 2954D Power Clam with 2267-kg (5,000 lb.) grapple and 700-mm (28 in.) shoes**

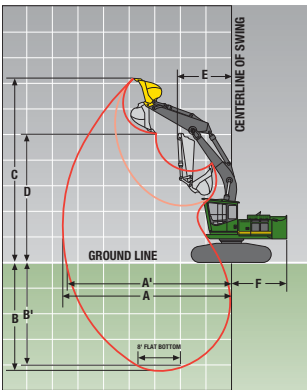
Load Point Height	4.6 m (15 ft.)		6.1 m (20 ft.)		7.6 m (25 ft.)		9.1 m (30 ft.)		10.7 m (35 ft.)	
	Over front	Over side	Over front	Over side	Over front	Over side	Over front	Over side	Over front	Over side
12.2 m (40 ft.)	<b>13 154 kg</b> (29,000 lb.)	<b>13 154 kg</b> (29,000 lb.)								
10.7 m (35 ft.)	<b>10 977 kg</b> (24,200 lb.)	<b>10 977 kg</b> (24,200 lb.)	<b>9253 kg</b> (20,400 lb.)	<b>9253 kg</b> (20,400 lb.)						
9.1 m (30 ft.)			<b>8664 kg</b> (19,100 lb.)	<b>8664 kg</b> (19,100 lb.)	<b>7620 kg</b> (16,800 lb.)	<b>7121 kg</b> (15,700 lb.)				
7.6 m (25 ft.)			<b>8709 kg</b> (19,200 lb.)	<b>8709 kg</b> (19,200 lb.)	<b>7530 kg</b> (16,600 lb.)	<b>7167 kg</b> (15,800 lb.)	<b>6532 kg</b> (14,400 lb.)	<b>4853 kg</b> (10,700 lb.)		
6.1 m (20 ft.)	<b>11 476 kg</b> (25,300 lb.)	<b>11 476 kg</b> (25,300 lb.)	<b>9253 kg</b> (20,400 lb.)	<b>9253 kg</b> (20,400 lb.)	<b>7757 kg</b> (17,100 lb.)	<b>7031 kg</b> (15,500 lb.)	<b>6532 kg</b> (14,400 lb.)	<b>4808 kg</b> (10,600 lb.)		
4.6 m (15 ft.)	<b>13 426 kg</b> (29,600 lb.)	<b>13 426 kg</b> (29,600 lb.)	<b>10 161 kg</b> (22,400 lb.)	<b>10 161 kg</b> (22,400 lb.)	<b>8165 kg</b> (18,000 lb.)	<b>6804 kg</b> (15,000 lb.)	<b>6668 kg</b> (14,700 lb.)	<b>4717 kg</b> (10,400 lb.)	<b>5126 kg</b> (11,300 lb.)	<b>3311 kg</b> (7,300 lb.)
3.1 m (10 ft.)			<b>11 113 kg</b> (24,500 lb.)	<b>9707 kg</b> (21,400 lb.)	<b>8528 kg</b> (18,800 lb.)	<b>6486 kg</b> (14,300 lb.)	<b>6759 kg</b> (14,900 lb.)	<b>4581 kg</b> (10,100 lb.)	<b>5080 kg</b> (11,200 lb.)	<b>3266 kg</b> (7,200 lb.)
1.5 m (5 ft.)			<b>11 657 kg</b> (25,700 lb.)	<b>9163 kg</b> (20,200 lb.)	<b>8664 kg</b> (19,100 lb.)	<b>6214 kg</b> (13,700 lb.)	<b>6623 kg</b> (14,600 lb.)	<b>4400 kg</b> (9,700 lb.)	<b>4745 kg</b> (10,460 lb.)	<b>3175 kg</b> (7,000 lb.)
Ground Line	<b>15 921 kg</b> (35,100 lb.)	<b>14 243 kg</b> (31,400 lb.)	<b>11 295 kg</b> (24,900 lb.)	<b>8800 kg</b> (19,400 lb.)	<b>8346 kg</b> (18,400 lb.)	<b>5987 kg</b> (13,200 lb.)	<b>6124 kg</b> (13,500 lb.)	<b>4309 kg</b> (9,500 lb.)	<b>3810 kg</b> (8,400 lb.)	<b>3175 kg</b> (7,000 lb.)
-1.5 m (-5 ft.)	<b>13 472 kg</b> (29,700 lb.)	<b>13 472 kg</b> (29,700 lb.)	<b>9934 kg</b> (21,900 lb.)	<b>8573 kg</b> (18,900 lb.)	<b>7258 kg</b> (16,000 lb.)	<b>5851 kg</b> (12,900 lb.)	<b>4990 kg</b> (11,000 lb.)	<b>4218 kg</b> (9,300 lb.)		
-3.1 m (-10 ft.)	<b>9707 kg</b> (21,400 lb.)	<b>9707 kg</b> (21,400 lb.)	<b>7439 kg</b> (16,400 lb.)	<b>7439 kg</b> (16,400 lb.)	<b>5216 kg</b> (11,500 lb.)	<b>5216 kg</b> (11,500 lb.)				

Attachment weight is included when calculating the lift capacities.

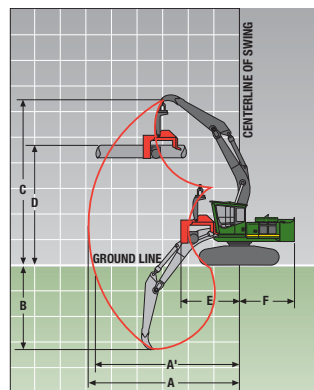
**Boldface** type indicates hydraulic-limited capacities with power boost; lightface type indicates stability-limited capacities. Figures do not exceed 87 percent of hydraulic capacities or 75 percent of weight needed to tip machine.

Operating Dimensions	2954D Road Builder	2954D Processor	2954D Live Heel	2954D Butt & Top	2954D Power Clam
Arm Length	3.11 m (10 ft. 2 in.)	3.58 m (11 ft. 9 in.)	N/A	N/A	N/A
Arm Force (with 700-mm [28 in.] double-grouser shoes and power boost)	131.3 kN (29,517 lb.)	N/A	N/A	N/A	N/A
Bucket Digging Force (with 700-mm [28 in.] double-grouser shoes and power boost)	166.7 kN (37,478 lb.)	N/A	N/A	N/A	N/A
Lifting Capacity Over Front at Ground Level, 6.1-m (20 ft.) Reach (with power boost) and Attachment	9422 kg (20,772 lb.)	7348 kg (16,200 lb.)	12 260 kg (27,029 lb.)	11 295 kg (24,900 lb.)	11 295 kg (24,900 lb.)
<b>A</b> Maximum Reach	10.65 m (34 ft. 11 in.)	9.37 m (30 ft. 9 in.)	12.60 m (41 ft. 4 in.)	11.12 m (36 ft. 6 in.)	11.12 m (36 ft. 6 in.)
<b>A'</b> Maximum Reach at Ground Level	10.41 m (34 ft. 2 in.)	9.09 m (29 ft. 10 in.)	12.39 m (40 ft. 8 in.)	11.01 m (36 ft. 2 in.)	11.01 m (36 ft. 2 in.)
<b>B</b> Maximum Depth	6.70 m (22 ft. 0 in.)	4.97 m (16 ft. 4 in.)	5.05 m (16 ft. 7 in.)	3.59 m (11 ft. 9 in.)	3.59 m (11 ft. 9 in.)
<b>C</b> Maximum Height	10.87 m (35 ft. 8 in.)	N/A	14.54 m (47 ft. 9 in.)	13.12 m (43 ft. 0 in.)	13.12 m (43 ft. 0 in.)
<b>D</b> Maximum Dumping Height	7.93 m (26 ft. 0 in.)	N/A	N/A	N/A	N/A
Maximum Log-Level Height	N/A	7.62 m (25 ft. 0 in.)	9.31 m (30 ft. 6 in.)	10.35 m (33 ft. 11 in.)	8.97 m (29 ft. 5 in.)
<b>E</b> Minimum Swing Radius	3.52 m (11 ft. 7 in.)	3.53 m (11 ft. 7 in.)	4.92 m (16 ft. 2 in.)	5.03 m (16 ft. 6 in.)	5.03 m (16 ft. 6 in.)
<b>F</b> Tail Swing Radius	3.32 m (10 ft. 11 in.)	3.32 m (10 ft. 11 in.)	3.36 m (11 ft. 0 in.)	3.36 m (11 ft. 0 in.)	3.36 m (11 ft. 0 in.)

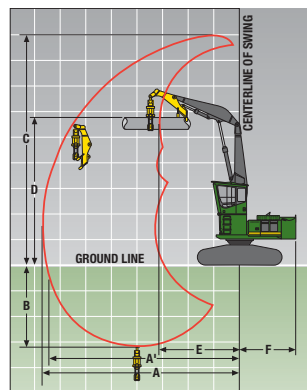
2954D Road-BUILDER Envelope



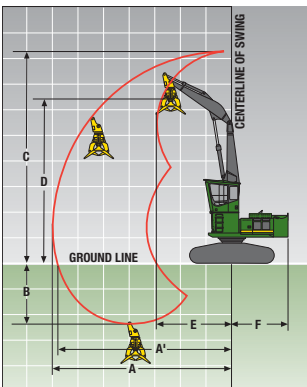
2954D Processor Envelope



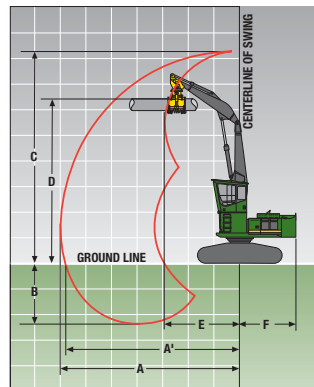
2954D Live-Heel Envelope



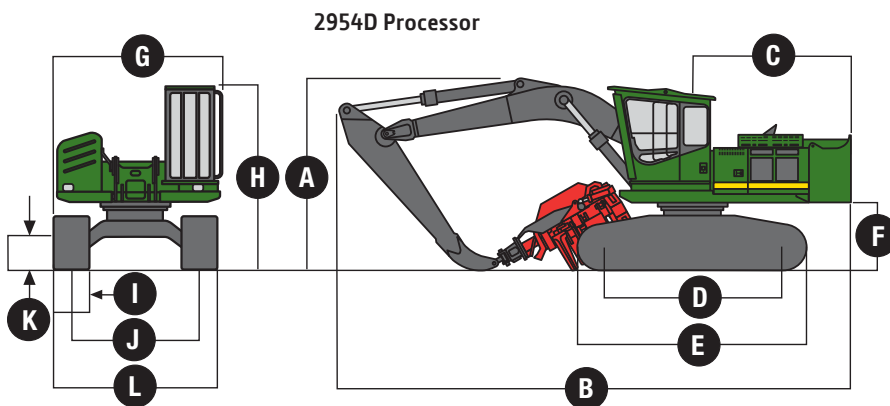
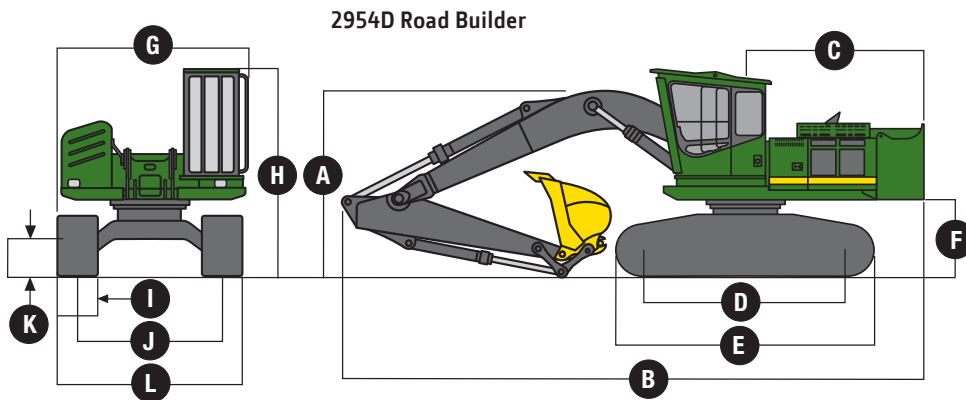
2954D Butt & Top Envelope



2954D Power-Clam Envelope

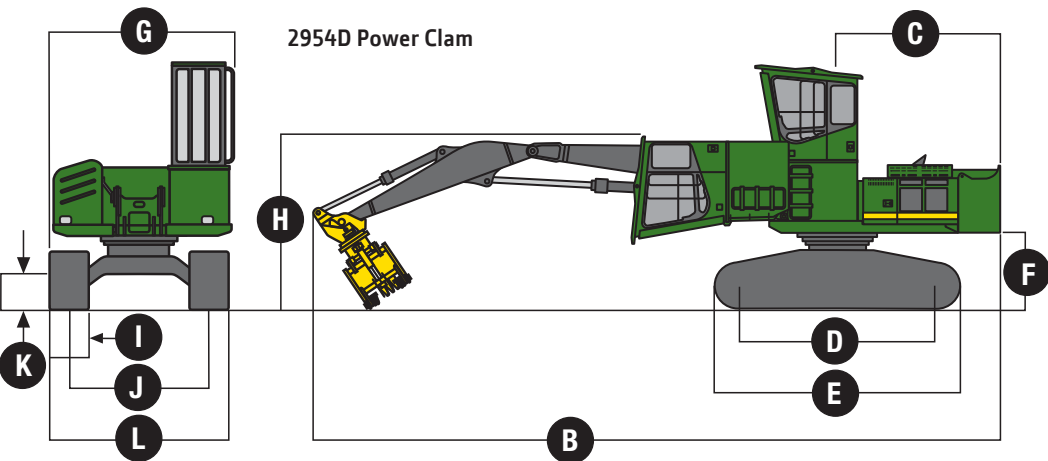
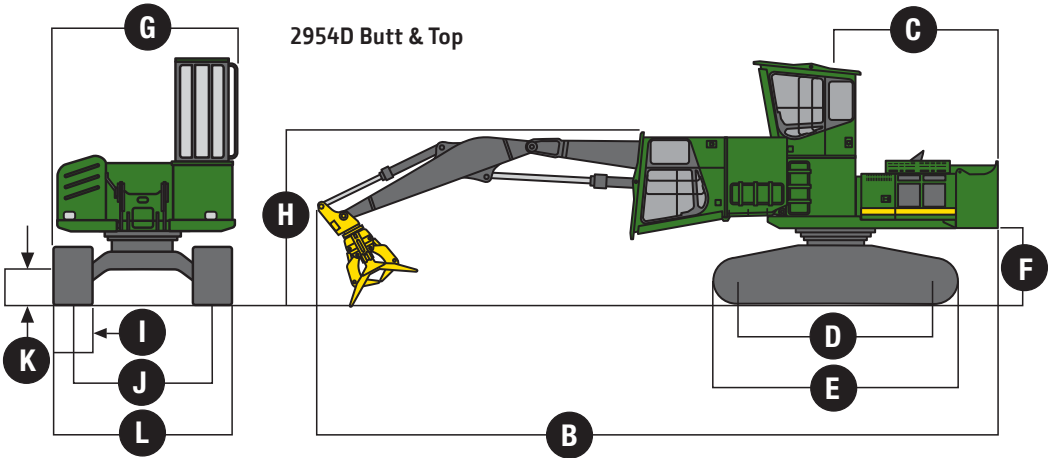
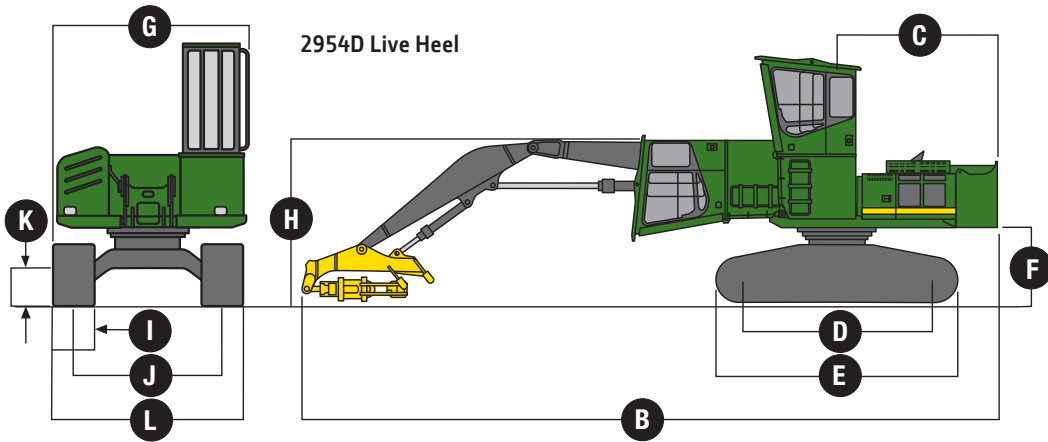


Machine Dimensions	2954D Road Builder	2954D Processor	2954D Live Heel	2954D Butt & Top	2954D Power Clam
<b>A</b> Height	3.82 m (12 ft. 6 in.)	4.01 m (13 ft. 2 in.)	N/A	N/A	N/A
<b>B</b> Overall Length	10.86 m (35 ft. 8 in.)	10.77 m (35 ft. 4 in.)	51.21 m (49 ft. 11 in.)	15.09 m (49 ft. 6 in.)	15.09 m (49 ft. 6 in.)
<b>C</b> Rear-End Length / Swing Radius	3.32 m (10 ft. 11 in.)	3.32 m (10 ft. 11 in.)	3.32 m (10 ft. 11 in.)	3.32 m (10 ft. 11 in.)	3.32 m (10 ft. 11 in.)
<b>D</b> Distance Between Idler / Sprocket Centerline	4.05 m (13 ft. 4 in.)	4.05 m (13 ft. 4 in.)	4.05 m (13 ft. 4 in.)	4.05 m (13 ft. 4 in.)	4.05 m (13 ft. 4 in.)
<b>E</b> Undercarriage Length	5.01 m (16 ft. 5 in.)	5.01 m (16 ft. 5 in.)	5.01 m (16 ft. 5 in.)	5.01 m (16 ft. 5 in.)	5.01 m (16 ft. 5 in.)
<b>F</b> Counterweight Clearance	1.49 m (4 ft. 11 in.)	1.49 m (4 ft. 11 in.)	1.49 m (4 ft. 11 in.)	1.49 m (4 ft. 11 in.)	1.49 m (4 ft. 11 in.)
<b>G</b> Upperstructure Width	3.43 m (11 ft. 3 in.)	3.43 m (11 ft. 3 in.)	3.43 m (11 ft. 3 in.)	3.43 m (11 ft. 3 in.)	3.43 m (11 ft. 3 in.)
<b>H</b> Cab Height	3.85 m (12 ft. 8 in.)	3.85 m (12 ft. 8 in.)	3.55 m (11 ft. 8 in.)	3.55 m (11 ft. 8 in.)	3.55 m (11 ft. 8 in.)
<b>I</b> Track Width (with 700-mm [28 in.] double-grouser shoes)	0.70 m (2 ft. 4 in.)	0.70 m (2 ft. 4 in.)	0.70 m (2 ft. 4 in.)	0.70 m (2 ft. 4 in.)	0.70 m (2 ft. 4 in.)
<b>J</b> Gauge Width	2.69 m (8 ft. 10 in.)	2.69 m (8 ft. 10 in.)	2.92 m (9 ft. 7 in.)	2.92 m (9 ft. 7 in.)	2.92 m (9 ft. 7 in.)
<b>K</b> Ground Clearance	0.71 m (2 ft. 4 in.)	0.71 m (2 ft. 4 in.)	0.78 m (2 ft. 7 in.)	0.78 m (2 ft. 7 in.)	0.78 m (2 ft. 7 in.)
<b>L</b> Undercarriage Width	3.39 m (11 ft. 2 in.)	3.39 m (11 ft. 2 in.)	3.62 m (11 ft. 11 in.)	3.62 m (11 ft. 11 in.)	3.62 m (11 ft. 11 in.)



Machine not exactly as shown. Illustrations for dimensioning purposes only.





# 3754D



Engine	3754D Road Builder	3754D Live Heel	3754D Butt & Top
Manufacturer and Model	John Deere 6090H		
Non-Road Emission Standards	EPA Tier 3/EU Stage IIIA		
Cylinders	6		
Engine Displacement	9.0 L (549 cu. in.)		
Net Peak Power (ISO 9249)	220 kW (296 hp)		
Off-Level Capacity	100% (45 deg.)		
Aspiration	Turbocharged, air-to-air charge air cooler		
<b>Cooling</b>			
Fan Drive	Cool-on-demand hydraulic-driven, suction-type, remote-mounted drive		
Engine Coolant Rating	-37 deg. C (-34 deg. F)		
<b>Powertrain</b>			
2-speed propel with automatic shift			
Maximum Travel Speed			
Low	3.4 km/h (2.1 mph)		
High	5.5 km/h (3.4 mph)		
Controls	Pilot levers, short stroke, low effort; hydraulic pilot with shutoff lever		
<b>Hydraulics</b>			
Open center, load sensing			
Main Pumps			
Maximum Rated Flow x 2	304 L/m (80.3 gpm)		
Pilot Pump (one gear)			
Maximum Rated Flow	34 L/m (8.9 gpm)		
System Relief Pressure	3900 kPa (566 psi)		
Maximum Secondary Pump Flow			
34 L/m (8.9 gpm)			
System Operating Pressure			
Implement Circuits	34 300 kPa (4,975 psi)		
Travel Circuits	34 300 kPa (4,975 psi)		
Swing Circuits	34 300 kPa (4,975 psi)		
Power Boost	36 300 kPa (5,265 psi)		
Pilot Circuits at 34 L/m (8.9 gpm)	3900 kPa (566 psi)		
<b>Cylinders</b>			
Heat-treated, chrome-plated, polished cylinder rods; hardened steel (replaceable bushings) pivot pins			
Boom (2)			
Bore	145 mm (5.7 in.)	170 mm (6.7 in.)	170 mm (6.7 in.)
Rod Diameter	100 mm (3.9 in.)	115 mm (4.5 in.)	115 mm (4.5 in.)
Stroke	1520 mm (59.8 in.)	1465 mm (57.7 in.)	1465 mm (57.7 in.)
Arm (1)			
Bore	170 mm (6.7 in.)	190 mm (7.5 in.)	190 mm (7.5 in.)
Rod Diameter	115 mm (4.5 in.)	130 mm (5.1 in.)	130 mm (5.1 in.)
Stroke	1740 mm (68.5 in.)	1700 mm (66.9 in.)	1700 mm (66.9 in.)
Bucket (1)			
Bore	140 mm (5.5 in.)	N/A	N/A
Rod Diameter	95 mm (3.7 in.)	N/A	N/A
Stroke	1250 mm (49.2 in.)	N/A	N/A
Heel (1)			
Bore	N/A	145 mm (5.7 in.)	N/A
Rod Diameter	N/A	95 mm (3.7 in.)	N/A
Stroke	N/A	1250 mm (49.2 in.)	N/A
Tilt (1)			
Bore	N/A	N/A	115 mm (4.53 in.)
Rod Diameter	N/A	N/A	80 mm (3.1 in.)
Stroke	N/A	N/A	1060 mm (41.7 in.)

Specifications are subject to change without notice.



Electrical	3754D Road Builder	3754D Live Heel	3754D Butt & Top
Voltage	24 volt		
Batteries	2 x 12 volt		
Reserve Capacity	440 min.		
Alternator Rating	80 amp		
Undercarriage			
Carrier Rollers (per side)	2		
Track Rollers (per side)	8		
Shoes, Double Grousers (per side)	49		
Drawbar Pull	36 102 kg (79,590 lb.)		
Track Adjustment	Hydraulic		
Track Guides	Front and center		
Swing Mechanism			
Swing Speed	11 rpm		
Swing Torque, Standard	111 194 Nm (81,950 lb.-ft.)		
Swing Torque, Optional	148 462 Nm (109,500 lb.-ft.)		
Ground Pressure			
700-mm (28 in.) Double-Grouser Shoes	63.8 kPa (9.26 psi)	74.5 kPa (10.80 psi)	74.5 kPa (10.80 psi)
Refill Capacities			
Fuel Tank	1050.0 L (277.0 gal.)	1050.0 L (277.0 gal.)	1050.0 L (277.0 gal.)
Cooling System	40.0 L (11.0 gal.)	40.0 L (11.0 gal.)	40.0 L (11.0 gal.)
Engine Oil with Filter	27.0 L (7.0 gal.)	27.0 L (7.0 gal.)	27.0 L (7.0 gal.)
Hydraulic Tank	195.0 L (52.0 gal.)	195.0 L (52.0 gal.)	195.0 L (52.0 gal.)
Hydraulic System	340.0 L (90.0 gal.)	367.0 L (97.0 gal.)	367.0 L (97.0 gal.)
Propel Gearbox (each)	9.2 L (9.7 qt.)	9.2 L (9.7 qt.)	9.2 L (9.7 qt.)
Swing Gearbox	17.0 L (18.0 qt.)	17.0 L (18.0 qt.)	17.0 L (18.0 qt.)
Pump Drive Gearbox	1.1 L (1.2 qt.)	1.1 L (1.2 qt.)	1.1 L (1.2 qt.)
Operating Weights			
With full fuel tank, 79-kg (175 lb.) operator, and 700-mm (28 in.) double-grouser shoes	6215-kg (13,702 lb.) counterweight; 1285-kg (2,832 lb.), 1220-mm (48 in.) riser and side-entry cab; 1.76-m <sup>3</sup> (2.3 cu. yd.), 1370-mm (54 in.), 1160-kg (2,557 lb.) bucket; and 3.2-m (10 ft. 6 in.) arm	8446-kg (18,620 lb.) counterweight; 1718-kg (3,788 lb.), 1220-mm (48 in.) riser and side-entry cab; and 998-kg (2,200 lb.) grapple	8446-kg (18,620 lb.) counterweight; 1718-kg (3,788 lb.), 1220-mm (48 in.) riser and side-entry cab; and 2245-kg (4,950 lb.) grapple
SAE Operating Weight	41 196 kg (90,882 lb.)	46 108 kg (101,651 lb.)	46 262 kg (101,990 lb.)

**Lift Capacity — 3754D Road Builder with 3.2-m (10 ft. 6 in.) arm, 1.76-m<sup>3</sup> (2.3 cu. yd.) bucket, and 700-mm (28 in.) shoes**

Load Point Height	3.1 m (10 ft.)		4.6 m (15 ft.)		6.1 m (20 ft.)		7.6 m (25 ft.)		9.1 m (30 ft.)	
	Over front	Over side	Over front	Over side	Over front	Over side	Over front	Over side	Over front	Over side
7.6 m (25 ft.)							<b>4536 kg</b> <b>(10,000 lb.)</b>	<b>4536 kg</b> <b>(10,000 lb.)</b>		
6.1 m (20 ft.)							<b>6640 kg</b> <b>(14,639 lb.)</b>	6307 kg (13,905 lb.)	<b>4296 kg</b> <b>(9,471 lb.)</b>	<b>4296 kg</b> <b>(9,471 lb.)</b>
4.6 m (15 ft.)							<b>7326 kg</b> <b>(16,151 lb.)</b>	6065 kg (13,371 lb.)	<b>6824 kg</b> <b>(15,044 lb.)</b>	4314 kg (9,511 lb.)
3.1 m (10 ft.)			<b>14 718 kg</b> <b>(32,448 lb.)</b>	12 700 kg (27,999 lb.)	<b>10 254 kg</b> <b>(22,606 lb.)</b>	8225 kg (18,133 lb.)	<b>8318 kg</b> <b>(18,338 lb.)</b>	5733 kg (12,639 lb.)	6894 kg (15,199 lb.)	4154 kg (9,158 lb.)
1.5 m (5 ft.)					<b>12 055 kg</b> <b>(26,577 lb.)</b>	7617 kg (16,793 lb.)	9034 kg (19,917 lb.)	5405 kg (11,916 lb.)	6703 kg (14,778 lb.)	3977 kg (8,768 lb.)
Ground Line			<b>8726 kg</b> <b>(19,238 lb.)</b>	<b>8726 kg</b> <b>(19,238 lb.)</b>	12 518 kg (27,597 lb.)	7243 kg (15,968 lb.)	8760 kg (19,312 lb.)	5158 kg (11,371 lb.)	6549 kg (14,438 lb.)	3836 kg (8,457 lb.)
-1.5 m (-5 ft.)	<b>7794 kg</b> <b>(17,183 lb.)</b>	<b>7794 kg</b> <b>(17,183 lb.)</b>	<b>8498 kg</b> <b>(18,735 lb.)</b>	<b>8498 kg</b> <b>(18,735 lb.)</b>	12 350 kg (27,227 lb.)	7097 kg (15,646 lb.)	8618 kg (18,999 lb.)	5031 kg (11,091 lb.)	6475 kg (14,275 lb.)	3769 kg (8,309 lb.)
-3.1 m (-10 ft.)	<b>10 828 kg</b> <b>(23,872 lb.)</b>	<b>10 828 kg</b> <b>(23,872 lb.)</b>	<b>11 045 kg</b> <b>(24,350 lb.)</b>	<b>11 045 kg</b> <b>(24,350 lb.)</b>	12 374 kg (27,280 lb.)	7118 kg (15,693 lb.)	8617 kg (18,997 lb.)	5030 kg (11,089 lb.)		
-4.6 m (-15 ft.)	<b>8345 kg</b> <b>(18,398 lb.)</b>	<b>8345 kg</b> <b>(18,398 lb.)</b>	<b>13 352 kg</b> <b>(29,436 lb.)</b>	11 622 kg (25,622 lb.)	<b>10 535 kg</b> <b>(23,226 lb.)</b>	7294 kg (16,081 lb.)	<b>7834 kg</b> <b>(17,271 lb.)</b>	5199 kg (11,462 lb.)		

**Lift Capacity — 3754D Live Heel with 998-kg (2,200 lb.) grapple and 700-mm (28 in.) shoes**

Load Point Height	4.6 m (15 ft.)		6.1 m (20 ft.)		7.6 m (25 ft.)		9.1 m (30 ft.)		10.7 m (35 ft.)		12.2 m (40 ft.)	
	Over front	Over side	Over front	Over side	Over front	Over side	Over front	Over side	Over front	Over side	Over front	Over side
12.2 m (40 ft.)			<b>14 601 kg</b> <b>(32,190 lb.)</b>	13 708 kg (30,220 lb.)	<b>11 639 kg</b> <b>(25,660 lb.)</b>	9643 kg (21,260 lb.)						
10.7 m (35 ft.)			<b>13 254 kg</b> <b>(29,220 lb.)</b>	<b>13 254 kg</b> <b>(29,220 lb.)</b>	<b>11 948 kg</b> <b>(26,340 lb.)</b>	9535 kg (21,020 lb.)	9689 kg (21,360 lb.)	6917 kg (15,250 lb.)				
9.1 m (30 ft.)			<b>12 959 kg</b> <b>(28,570 lb.)</b>	<b>12 959 kg</b> <b>(28,570 lb.)</b>	<b>11 576 kg</b> <b>(25,520 lb.)</b>	9870 kg (21,760 lb.)	9562 kg (21,080 lb.)	6795 kg (14,980 lb.)	7498 kg (16,530 lb.)	5298 kg (11,680 lb.)		
7.6 m (25 ft.)			<b>12 982 kg</b> <b>(28,620 lb.)</b>	<b>12 982 kg</b> <b>(28,620 lb.)</b>	<b>11 803 kg</b> <b>(26,020 lb.)</b>	9902 kg (21,830 lb.)	9712 kg (21,410 lb.)	6940 kg (15,300 lb.)	7103 kg (15,660 lb.)	4922 kg (10,850 lb.)		
6.1 m (20 ft.)			<b>13 281 kg</b> <b>(29,280 lb.)</b>	<b>13 281 kg</b> <b>(29,280 lb.)</b>	<b>12 383 kg</b> <b>(27,300 lb.)</b>	9766 kg (21,530 lb.)	9689 kg (21,360 lb.)	6913 kg (15,240 lb.)	7208 kg (15,890 lb.)	5026 kg (11,080 lb.)	5788 kg (12,760 lb.)	3983 kg (8,780 lb.)
4.6 m (15 ft.)			<b>16 134 kg</b> <b>(35,570 lb.)</b>	14 152 kg (31,200 lb.)	<b>13 168 kg</b> <b>(29,030 lb.)</b>	9489 kg (20,920 lb.)	9566 kg (21,090 lb.)	6799 kg (14,990 lb.)	7289 kg (16,070 lb.)	5103 kg (11,250 lb.)	5797 kg (12,780 lb.)	3992 kg (8,800 lb.)
3.1 m (10 ft.)			<b>13 431 kg</b> <b>(29,610 lb.)</b>	<b>13 431 kg</b> <b>(29,610 lb.)</b>	12 850 kg (28,330 lb.)	9135 kg (20,140 lb.)	9362 kg (20,640 lb.)	6609 kg (14,570 lb.)	7303 kg (16,100 lb.)	5112 kg (11,270 lb.)	5724 kg (12,620 lb.)	3919 kg (8,640 lb.)
1.5 m (5 ft.)			<b>18 239 kg</b> <b>(40,210 lb.)</b>	12 828 kg (28,280 lb.)	12 433 kg (27,410 lb.)	8754 kg (19,300 lb.)	9281 kg (20,460 lb.)	6532 kg (14,400 lb.)	7176 kg (15,820 lb.)	4994 kg (11,010 lb.)	5638 kg (12,430 lb.)	3837 kg (8,460 lb.)
Ground Line	<b>25 592 kg</b> <b>(56,420 lb.)</b>	19 119 kg (42,150 lb.)	17 550 kg (38,690 lb.)	12 107 kg (26,690 lb.)	12 215 kg (26,930 lb.)	8550 kg (18,850 lb.)	9076 kg (20,010 lb.)	6341 kg (13,980 lb.)	7008 kg (15,450 lb.)	4835 kg (10,660 lb.)	5566 kg (12,270 lb.)	3769 kg (8,310 lb.)
-1.5 m (-5 ft.)	<b>24 413 kg</b> <b>(53,820 lb.)</b>	18 207 kg (40,140 lb.)	17 092 kg (37,680 lb.)	11 698 kg (25,790 lb.)	11 902 kg (26,240 lb.)	8265 kg (18,220 lb.)	8891 kg (19,600 lb.)	6160 kg (13,580 lb.)	6904 kg (15,220 lb.)	4736 kg (10,440 lb.)	<b>5253 kg</b> <b>(11,580 lb.)</b>	3756 kg (8,280 lb.)
-3.1 m (-10 ft.)	<b>21 215 kg</b> <b>(46,770 lb.)</b>	17 881 kg (39,420 lb.)	<b>14 597 kg</b> <b>(32,180 lb.)</b>	11 576 kg (25,520 lb.)	<b>11 716 kg</b> <b>(25,830 lb.)</b>	8142 kg (17,950 lb.)	8800 kg (19,400 lb.)	6083 kg (13,410 lb.)	<b>6518 kg</b> <b>(14,370 lb.)</b>	4717 kg (10,400 lb.)		
-4.6 m (-15 ft.)	<b>16 125 kg</b> <b>(35,550 lb.)</b>	<b>16 125 kg</b> <b>(35,550 lb.)</b>	<b>12 519 kg</b> <b>(27,600 lb.)</b>	11 263 kg (24,830 lb.)	<b>8609 kg</b> <b>(18,980 lb.)</b>	8178 kg (18,030 lb.)	<b>6346 kg</b> <b>(13,990 lb.)</b>	6124 kg (13,500 lb.)				

Attachment weight is included when calculating the lift capacities.

**Boldface** type indicates hydraulic-limited capacities with power boost; **lightface** type indicates stability-limited capacities. Figures do not exceed 87 percent of hydraulic capacities or 75 percent of weight needed to tip machine.

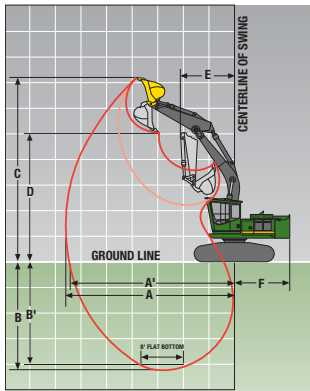
Lift Capacity — 3754D Butt & Top with 2540-kg (5,600 lb.) grapple and 700-mm (28 in.) shoes												
Load Point Height	4.6 m (15 ft.)		6.1 m (20 ft.)		7.6 m (25 ft.)		9.1 m (30 ft.)		10.7 m (35 ft.)		11.7 m (38.3 ft.)	
	Over front	Over side	Over front	Over side	Over front	Over side	Over front	Over side	Over front	Over side		
12.2 m (40 ft.)	<b>16 697 kg</b> <b>(36,810 lb.)</b>	<b>16 697 kg</b> <b>(36,810 lb.)</b>	<b>12 075 kg</b> <b>(26,620 lb.)</b>	<b>12 075 kg</b> <b>(26,620 lb.)</b>								
10.7 m (35 ft.)			<b>13 558 kg</b> <b>(29,890 lb.)</b>	<b>13 558 kg</b> <b>(29,890 lb.)</b>	<b>11 911 kg</b> <b>(26,260 lb.)</b>	9117 kg (20,100 lb.)						
9.1 m (30 ft.)			<b>13 064 kg</b> <b>(28,800 lb.)</b>	<b>13 064 kg</b> <b>(28,800 lb.)</b>	<b>11 621 kg</b> <b>(25,620 lb.)</b>	9367 kg (20,650 lb.)	9140 kg (20,150 lb.)	6387 kg (14,080 lb.)				
7.6 m (25 ft.)			<b>13 349 kg</b> <b>(29,430 lb.)</b>	<b>13 349 kg</b> <b>(29,430 lb.)</b>	<b>11 667 kg</b> <b>(25,720 lb.)</b>	9344 kg (20,600 lb.)	9249 kg (20,390 lb.)	6491 kg (14,310 lb.)				
6.1 m (20 ft.)	<b>13 935 kg</b> <b>(30,720 lb.)</b>	<b>13 935 kg</b> <b>(30,720 lb.)</b>	<b>14 302 kg</b> <b>(31,530 lb.)</b>	13 739 kg (30,290 lb.)	<b>12 125 kg</b> <b>(26,730 lb.)</b>	9149 kg (20,170 lb.)	9167 kg (20,210 lb.)	6414 kg (14,140 lb.)	6736 kg (14,850 lb.)	4563 kg (10,060 lb.)		
4.6 m (15 ft.)	<b>17 459 kg</b> <b>(38,490 lb.)</b>	<b>17 459 kg</b> <b>(38,490 lb.)</b>	<b>15 731 kg</b> <b>(34,680 lb.)</b>	13 141 kg (28,970 lb.)	12 533 kg (27,630 lb.)	8827 kg (19,460 lb.)	8995 kg (19,830 lb.)	6251 kg (13,780 lb.)	6686 kg (14,740 lb.)	4518 kg (9,960 lb.)		
3.1 m (10 ft.)			<b>17 178 kg</b> <b>(37,870 lb.)</b>	12 415 kg (27,370 lb.)	12 116 kg (26,710 lb.)	8441 kg (18,610 lb.)	8768 kg (19,330 lb.)	6037 kg (13,310 lb.)	6586 kg (14,520 lb.)	4423 kg (9,750 lb.)		
1.5 m (5 ft.)			17 155 kg (37,820 lb.)	11 730 kg (25,860 lb.)	11 716 kg (25,830 lb.)	8074 kg (17,800 lb.)	8550 kg (18,850 lb.)	5833 kg (12,860 lb.)	6482 kg (14,290 lb.)	4323 kg (9,530 lb.)	5493 kg (12,110 lb.)	3592 kg (7,920 lb.)
Ground Line	<b>24 231 kg</b> <b>(53,420 lb.)</b>	18 053 kg (39,800 lb.)	16 620 kg (36,640 lb.)	11 249 kg (24,800 lb.)	11 408 kg (25,150 lb.)	7788 kg (17,170 lb.)	8378 kg (18,470 lb.)	5670 kg (12,500 lb.)	6409 kg (14,130 lb.)	4255 kg (9,380 lb.)		
-1.5 m (-5 ft.)	<b>20 974 kg</b> <b>(46,240 lb.)</b>	17 772 kg (39,180 lb.)	<b>15 790 kg</b> <b>(34,810 lb.)</b>	11 009 kg (24,270 lb.)	11 231 kg (24,760 lb.)	7625 kg (16,810 lb.)	8292 kg (18,280 lb.)	5588 kg (12,320 lb.)	<b>5343 kg</b> <b>(11,780 lb.)</b>	4259 kg (9,390 lb.)		
-3.1 m (-10 ft.)	<b>15 894 kg</b> <b>(35,040 lb.)</b>	<b>15 894 kg</b> <b>(35,040 lb.)</b>	<b>12 474 kg</b> <b>(27,500 lb.)</b>	10 982 kg (24,210 lb.)	<b>9344 kg</b> <b>(20,600 lb.)</b>	7611 kg (16,780 lb.)	<b>6201 kg</b> <b>(13,670 lb.)</b>	5616 kg (12,380 lb.)				

Attachment weight is included when calculating the lift capacities.

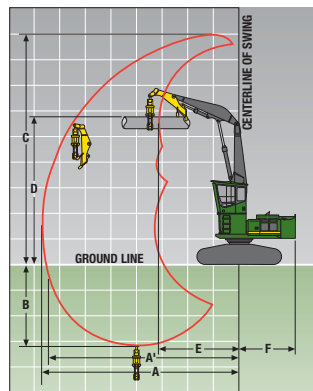
**Boldface** type indicates hydraulic-limited capacities with power boost; **lightface** type indicates stability-limited capacities. Figures do not exceed 87 percent of hydraulic capacities or 75 percent of weight needed to tip machine.

Operating Dimensions	3754D Road Builder	3754D Live Heel	2954D Butt & Top
Arm Length	3.2 m (10 ft. 6 in.)	N/A	N/A
Arm Force (with 1370-mm [54 in.] heavy-duty bucket and power boost)	169.2 kN (38,028 lb.)	N/A	N/A
Bucket Digging Force (with 1370-mm [54 in.] heavy-duty bucket and power boost)	214.5 kN (48,218 lb.)	N/A	N/A
Lifting Capacity Over Front at Ground Level, 6.1-m (20 ft.) Reach (with power boost) and Attachment	12 518 kg (27,597 lb.)	17 554 kg (38,700 lb.)	16 618 kg (36,636 lb.)
<b>A</b> Maximum Reach	11.10 m (36 ft. 5 in.)	13.12 m (43 ft. 0 in.)	11.70 m (38 ft. 4 in.)
<b>A'</b> Maximum Reach at Ground Level	10.89 m (35 ft. 9 in.)	12.90 m (42 ft. 4 in.)	11.45 m (37 ft. 7 in.)
<b>B</b> Maximum Depth	7.38 m (24 ft. 3 in.)	5.24 m (17 ft. 2 in.)	3.82 m (12 ft. 6 in.)
<b>C</b> Maximum Height	10.36 m (34 ft. 0 in.)	15.21 m (49 ft. 11 in.)	13.78 m (45 ft. 3 in.)
<b>D</b> Maximum Dumping Height	7.24 m (23 ft. 9 in.)	N/A	N/A
Maximum Log-Level Height	N/A	11.35 m (37 ft. 3 in.)	10.91 m (35 ft. 10 in.)
<b>E</b> Minimum Swing Radius	4.46 m (14 ft. 8 in.)	4.80 m (15 ft. 9 in.)	4.76 m (15 ft. 7 in.)
<b>F</b> Tail Swing Radius	3.66 m (12 ft. 0 in.)	3.66 m (12 ft. 0 in.)	3.66 m (12 ft. 0 in.)

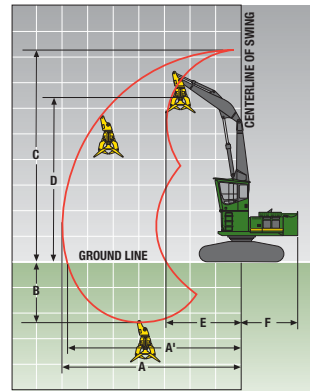
3754D Road-Builder Envelope



3754D Live-Heel Envelope

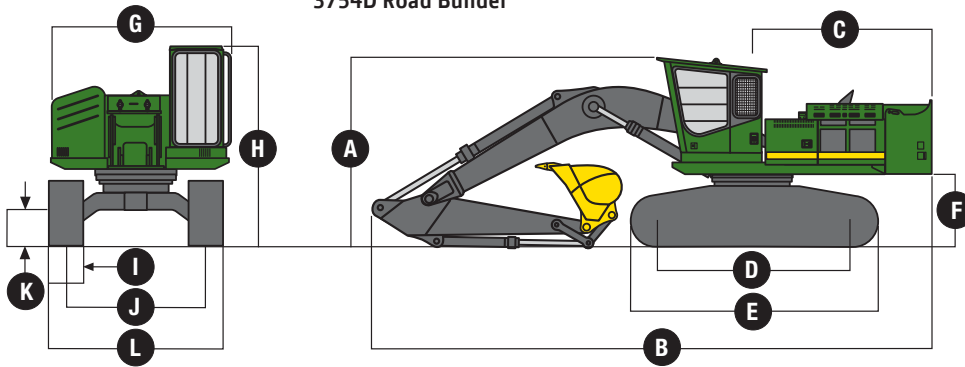


3754D Butt & Top Envelope

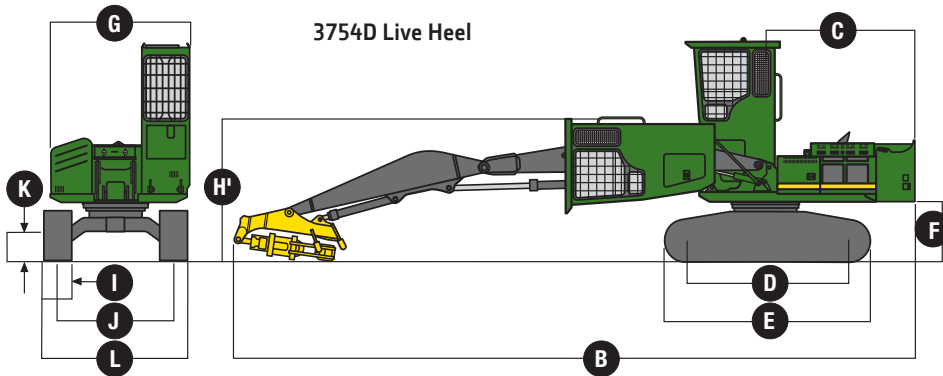


Machine Dimensions	3754D Road Builder	3754D Live Heel	3754D Butt & Top
A Height	3.37 m (11 ft. 1 in.)	N/A	N/A
B Overall Length	11.21 m (36 ft. 9 in.)	16.62 m (54 ft. 6 in.)	15.99 m (52 ft. 6 in.)
C Rear-End Length / Swing Radius	3.66 m (12 ft. 0 in.)	3.66 m (12 ft. 0 in.)	3.66 m (12 ft. 0 in.)
D Distance Between Idler / Sprocket Centerline	4.05 m (13 ft. 3 in.)	4.05 m (13 ft. 3 in.)	4.05 m (13 ft. 3 in.)
E Undercarriage Length	5.10 m (16 ft. 9 in.)	5.10 m (16 ft. 9 in.)	5.10 m (16 ft. 9 in.)
F Counterweight Clearance	1.45 m (4 ft. 9 in.)	1.47 m (4 ft. 10 in.)	1.47 m (4 ft. 10 in.)
G Upperstructure Width	3.49 m (11 ft. 6 in.)	3.70 m (12 ft. 2 in.)	3.70 m (12 ft. 2 in.)
H Cab Height	3.80 m (12 ft. 6 in.)	N/A	N/A
H' Cab Height (transport)	N/A	3.54 m (11 ft. 7 in.)	3.54 m (11 ft. 7 in.)
I Track Width (with 700-mm [28 in.] double-grouser shoes)	0.70 m (2 ft. 4 in.)	0.70 m (2 ft. 4 in.)	0.70 m (2 ft. 4 in.)
J Gauge Width	2.69 m (8 ft. 10 in.)	2.91 m (9 ft. 7 in.)	2.91 m (9 ft. 7 in.)
K Ground Clearance	0.74 m (2 ft. 5 in.)	0.74 m (2 ft. 5 in.)	0.74 m (2 ft. 5 in.)
L Undercarriage Width	3.39 m (11 ft. 1 in.)	3.61 m (11 ft. 10 in.)	3.61 m (11 ft. 10 in.)

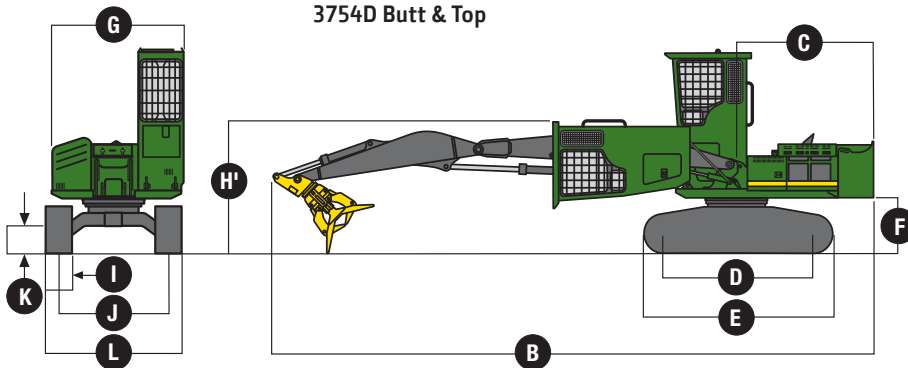
3754D Road Builder



3754D Live Heel



3754D Butt & Top



Machine not exactly as shown. Illustrations for dimensioning purposes only.



WE WORK FOR THE GUYS WHO LOOK DOWN ON THE CLOUDS.

Forestry is a way of life. A calling passed through generations. One that gets in your blood and takes everything you've got. But one that you'll never give up. And that's why we're dedicated to building machines and solutions specifically for the work you do. It's our way of making one of the toughest jobs in the world just a little bit easier.



**JOHN DEERE**

[www.JohnDeere.com](http://www.JohnDeere.com)