



JOHN DEERE

CONSTRUCTION EQUIPMENT

EXCAVATORS



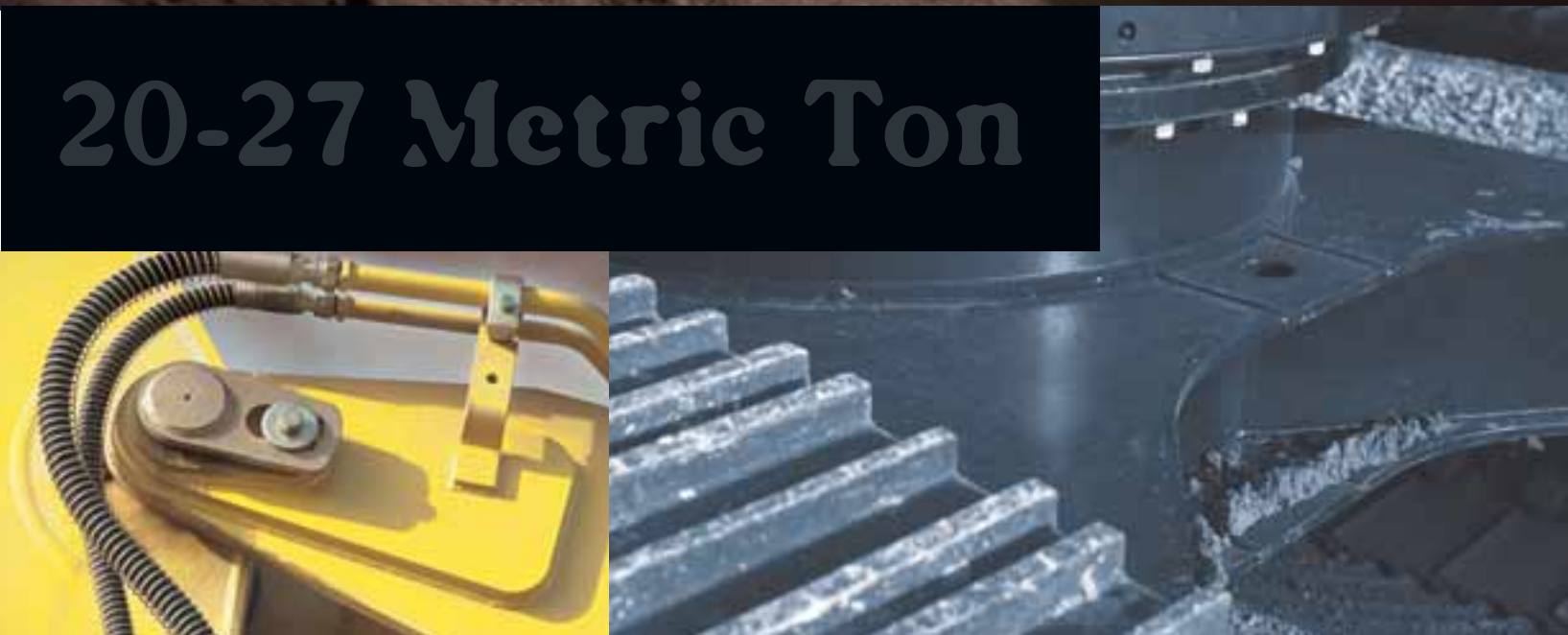
MODEL NO.

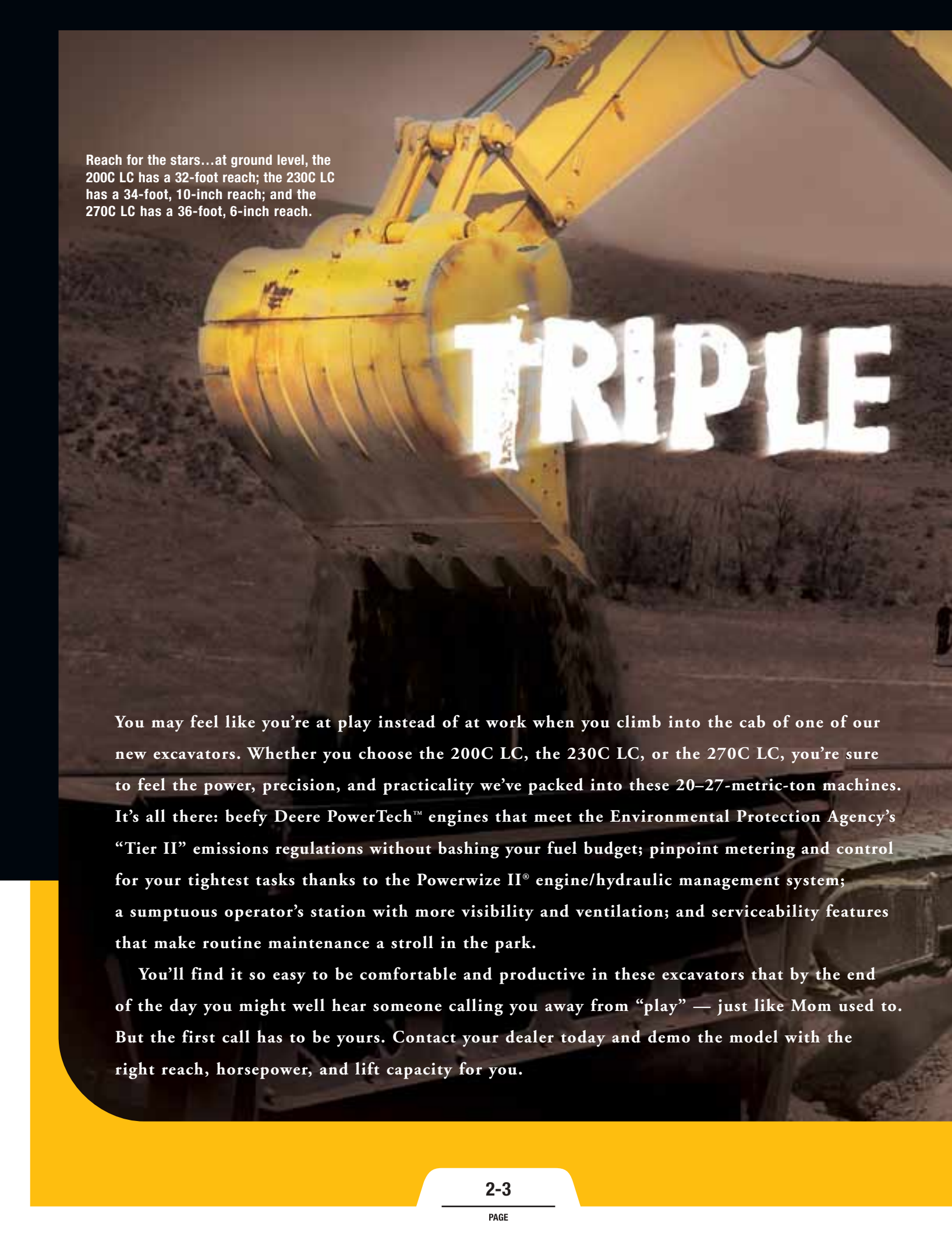
200C LC 230C LC 270C LC

- > 20- to 27-metric ton
- > 141 to 177 horsepower
- > 19-ft. 7-in. to 23-ft. 9-in. digging depth with standard arm



20-27 Metric Ton





Reach for the stars...at ground level, the 200C LC has a 32-foot reach; the 230C LC has a 34-foot, 10-inch reach; and the 270C LC has a 36-foot, 6-inch reach.

TRIPLE

You may feel like you're at play instead of at work when you climb into the cab of one of our new excavators. Whether you choose the 200C LC, the 230C LC, or the 270C LC, you're sure to feel the power, precision, and practicality we've packed into these 20–27-metric-ton machines. It's all there: beefy Deere PowerTech™ engines that meet the Environmental Protection Agency's "Tier II" emissions regulations without bashing your fuel budget; pinpoint metering and control for your tightest tasks thanks to the Powerwise II® engine/hydraulic management system; a sumptuous operator's station with more visibility and ventilation; and serviceability features that make routine maintenance a stroll in the park.

You'll find it so easy to be comfortable and productive in these excavators that by the end of the day you might well hear someone calling you away from "play" — just like Mom used to. But the first call has to be yours. Contact your dealer today and demo the model with the right reach, horsepower, and lift capacity for you.



SUBJECT:

PERFORMANCE

ARM OPTIONS:

200C LC	7 foot 3 inch (2.22 m)	9 foot 7 inch (2.91 m)
230C LC	9 foot 9 inch (2.96 m)	11 foot 10 inch (3.61 m)
270C LC	10 foot 2 inch (3.10 m)	12 foot 4 inch (3.75 m)

What's your game? These new excavators from Deere are sized and powered to do just about everything. Trenching? Site development? Dig basements? Bury underground utilities? Aboveground applications? Knock yourself out.

With Deere's PowerTech engine and efficient, gutsy hydraulics, these excavators dig deep and come up asking for more. The 20-metric-ton 200C LC boasts a maximum digging depth of 21 feet, 11 inches. The 230C LC digs down to 24 feet, 6 inches, while the 270C LC maxes at 25 feet, 11 inches.

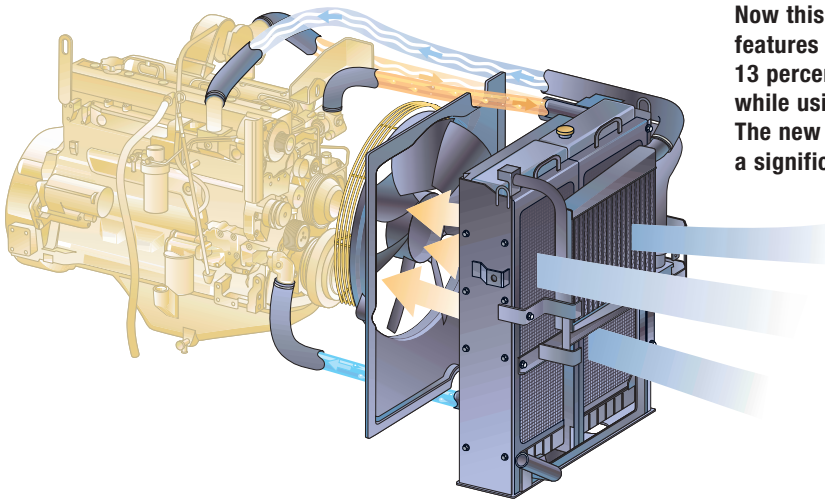
The Deere PowerTech 6.8-L, 414-cubic-inch engine is turbocharged, air-cooled, and designed to give you thousands of hours of efficient power.

These "Cs" are easy to transport — usually without permits — which means your customers won't have to play a "waiting game." Just load and go!



SUBJECT:

ENGINE & SYSTEMS



Now this is cool: Deere's cooling system features a new airfoil fan that gives you 13 percent more cooling performance while using 4 percent less horsepower. The new fan also lowers noise level by a significant 4 d(B)a.

The cooling system's radiator is completely welded from the tube to the header joint, with a "square-wave" fin design to increase heat transfer by 18 percent.

Deere PowerTech engines retain all the features you've come to expect from Deere, and more. Our wet-sleeve, individually replaceable cylinder liners are admired throughout the industry for their ability to eliminate hot spots.

Precision digging or laying pipe in just the right place shouldn't be taxing. It should be smooth and easy. Jerky controls, uneven bursts of power, or fatigue won't be parts of your workday due to Deere's exclusive Powerwize II engine/hydraulic management system. Powerwize technology lets the excavator arm be your "bionic" arm — an extension of your own, only with a lot more muscle. It lets operators do precise work with a minimum of effort — 10 percent less lever effort to be exact. There's only one hydraulic mode, so just select the desired engine mode, adjust the engine speed knob, and "go."



There's more joy in our sticks.



Each Deere engine has an Electronic Control Unit (ECU) that serves as an electronic "brain." By regulating the fuel-injection process, the ECU ensures smooth, safe effort without wasting fuel. It also acts like a safety net by decreasing engine power and speed automatically if key readings like fuel pressure or temperature drift into the red zone.

We've increased hydraulic flow and pressure to give you more power and precision at the end of the boom. The new design is very "attachment friendly."



SUBJECT:

OPERATOR STATION

Windows to your world

Let the sunshine in — and the fresh air flow freely — with the tinted sunroof hatch.


The windshield wiper cleans 25 percent more glass for an even clearer look. Then it disappears from view.

Adjustable vents are everywhere. You'll never have trouble setting and maintaining a comfortable temperature. All shift, all week.



Seeing is indeed believing. Sit in the cab and take a good look around. Deere's designed an operator's station with the ultimate view. There's 28 percent more glass to look through, so you can see every angle of the task at hand. Or at arm. Or at bucket. You get the picture.

And because your world can consist of tough 12-hour-days, we've made the cab a pleasant and comfortable place to work. The new seat features adjustable lumbar support like you'd expect to find in a best-in-class luxury car, and a "blend-air" automatic climate-control system keeps the temperature just right. You might even start feeling a little self-indulgent when you see the built-in beverage cooler, the "big-gulp" cupholder, and the 12-volt cellular phone jack. So, go ahead and live a little. Why should work always have to feel like work?



All the controls are within easy reach, and their arrangement makes perfect ergonomic sense. No stretching. No fatigue.



Even the biggest coffee mugs fit the new cupholder. We challenge any convenience store to produce something too big.



Get to the point(s)!

John Deere's Customer Personal Service (CPS) features a line-up of programs and tools that can be customized to fit your business. Whether it's maintenance programs, extended warranties, or parts availability programs, CPS is a one-on-one service that can bring uptime to an all-new level. Talk to your dealer about CPS today.

We stand behind these new excavators. Want proof? Check out our StructurAll™ warranty. It adds three years of coverage on major structures as installed at the time your excavator is manufactured. It's free of charge, for unlimited hours, on important stuff like booms, arms, and mainframes.

The first hydraulic filter-change interval is not until 4,000 hours, then every 2,000 hours after that. That's time and money better spent elsewhere.

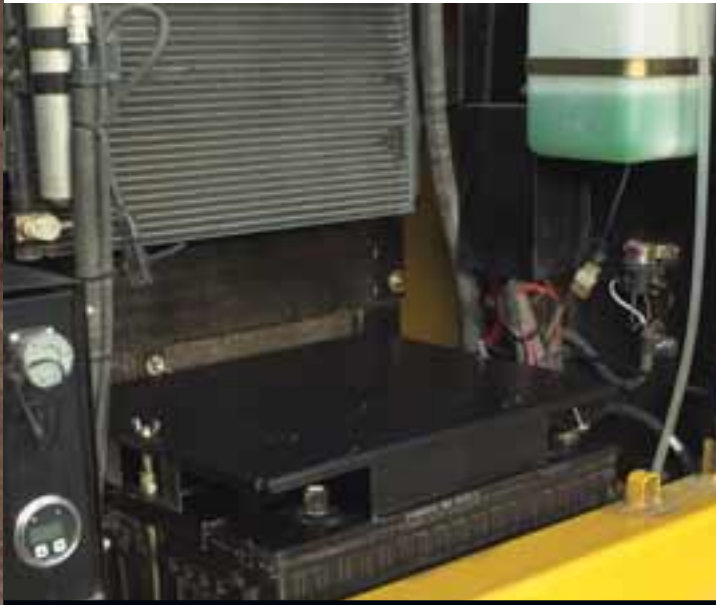


SUBJECT:

SERVICE

Servicing the cooling system is a snap. The cooling cores feature wide-fin spacing so that trash will pass through the system without clogging it, reducing cleaning time.

We don't think there's ever been a job site where there's never mud, rain, or snow. That's why we strategically fastened bolt-on skid plates where you step or stand during routine service.



Routine service is a lot like those childhood commands you used to get from Mom — “Wash up before dinner,” or “Put on that jacket before you go out!” You know it's necessary, but it can delay the fun. That's why we made daily service quick and easy.

Look what's behind those big, easy-to-open service doors. Checking filters and fluid levels has never been faster. We've even extended some routine service intervals, such as the engine oil-change interval. It's been doubled from 250 to 500 hours. We simply want you to get to the job you love. (Mom would be so proud!)

200C LC 230C LC 270C LC

EXCAVATORS

SPECIFICATIONS

CONSTRUCTION EQUIPMENT

Engine	200C LC	230C LC	270C LC
Type	John Deere 6068H with turbocharger and air-to-air charge air cooler; meets EPA Tier II non-road emissions regulations	John Deere 6068H with turbocharger and air-to-air charge air cooler; meets EPA Tier II non-road emissions regulations	John Deere 6068H with turbocharger and air-to-air charge air cooler; meets EPA Tier II non-road emissions regulations
Rated power	141 SAE net hp (105 kW) @ 2,150 rpm	169 SAE net hp (126 kW) @ 2,100 rpm	177 SAE net hp (132 kW) @ 2,150 rpm
Cylinders	6	6	6
Displacement	414 cu. in. (6.8 L)	414 cu. in. (6.8 L)	414 cu. in. (6.8 L)
Maximum net torque	427 lb.-ft. (579 Nm) @ 1,300 rpm	516 lb.-ft. (700 Nm) @ 1,400 rpm	540 lb.-ft. (733 Nm) @ 1,400 rpm
Fuel consumption, typical	4.0 to 6.0 gal./hr. (15.1 to 22.7 L/h)	5.0 to 7.5 gal./hr. (19.0 to 28.0 L/h)	5.5 to 8.5 gal./hr. (21.0 to 32.0 L/h)
Cooling fan	suction-type drive	suction-type drive	suction-type drive
Electrical system	24 volt with 45-amp alternator	24 volt with 45-amp alternator	24 volt with 45-amp alternator
Batteries (two 12 volt)	reserve capacity: 180 min.	reserve capacity: 180 min.	reserve capacity: 180 min.
Off-level capacity	100% (45 deg.)	100% (45 deg.)	100% (45 deg.)
Hydraulic System			
Main pumps	two variable-displacement axial-piston	two variable-displacement axial-piston	two variable-displacement axial-piston
Minimum flow	2 x 21.5 gpm (2 x 82 L/min.)	2 x 32.0 gpm (2 x 121 L/min.)	2 x 34.9 gpm (2 x 132 L/min.)
Maximum flow	2 x 57.9 gpm (2 x 219 L/min.)	2 x 56.5 gpm (2 x 214 L/min.)	2 x 57.9 gpm (2 x 219 L/min.)
Pilot pump	one gear	one gear	one gear
Maximum flow	9.5 gpm (36 L/min.)	8.9 gpm (34 L/min.)	9.5 gpm (36 L/min.)
Pressure setting	580 psi (3999 kPa)	580 psi (3999 kPa)	580 psi (3999 kPa)
System operating pressure			
Implement circuits	4,980 psi (34 336 kPa)	4,980 psi (34 336 kPa)	4,980 psi (34 336 kPa)
Travel circuits	4,980 psi (34 336 kPa)	4,980 psi (34 336 kPa)	5,050 psi (34 819 kPa)
Swing circuits	4,480 psi (30 888 kPa)	4,270 psi (29 441 kPa)	4,380 psi (30 199 kPa)
Power boost	5,270 psi (36 336 kPa)	5,270 psi (36 336 kPa)	5,270 psi (36 336 kPa)
Oil filtration	one 10-micron full-flow return filter with bypass / one pilot oil filter	one 10-micron full-flow return filter with bypass / one pilot oil filter / one suction filter	one 10-micron full-flow return filter with bypass / one pilot oil filter / one suction filter
Cylinders			
Boom (2)			
Bore	4.72 in. (120 mm)	4.90 in. (125 mm)	5.31 in. (135 mm)
Rod diameter	3.35 in. (85 mm)	3.50 in. (90 mm)	3.74 in. (95 mm)
Stroke	48.03 in. (1220 mm)	53.15 in. (1350 mm)	52.76 in. (1340 mm)
Arm (1)			
Bore	5.31 in. (135 mm)	5.51 in. (140 mm)	5.71 in. (145 mm)
Rod diameter	3.74 in. (95 mm)	4.13 in. (105 mm)	3.90 in. (100 mm)
Stroke	58.07 in. (1475 mm)	63.38 in. (1610 mm)	61.22 in. (1555 mm)
Bucket (1)			
Bore	4.53 in. (115 mm)	5.11 in. (130 mm)	5.31 in. (135 mm)
Rod diameter	3.15 in. (80 mm)	3.54 in. (90 mm)	3.74 in. (95 mm)
Stroke	41.73 in. (1060 mm)	42.32 in. (1075 mm)	42.13 in. (1070 mm)
Swing Mechanism			
Swing speed	0–13.3 rpm	0–14.3 rpm	0–12.1 rpm
Swing torque	43,218 lb.-ft. (58 640 Nm)	49,915 lb.-ft. (67 725 Nm)	51,622 lb.-ft. (70 619 Nm)
Undercarriage			
Carrier rollers (per side)	2	2	2
Track rollers (per side)	8	9	9
Shoes, triple semi-grouser (per side)	49	51	48
Track guides	front and center	front and center	front and center
Track adjustment	hydraulic	hydraulic	hydraulic
Travel speed			
Low	0–2.2 mph (0–3.6 km/h)	0–2.1 mph (0–3.4 km/h)	0–1.8 mph (0–2.9 km/h)
High	0–3.4 mph (0–5.5 km/h)	0–3.4 mph (0–5.5 km/h)	0–3.0 mph (0–4.9 km/h)
Drawbar pull	42,420 lb. (19 240 kg)	44,420 lb. (20 150 kg)	56,074 lb. (25 435 kg)

Ground Pressure Data	200C LC	230C LC	270C LC
Average ground pressure			
24-in. (600 mm) triple semi-grouser shoes (recommended for rocky terrain/stumps)	6.08 psi (41.9 kPa)	6.84 psi (47.2 kPa)	7.50 psi (51.7 kPa)
28-in. (700 mm) triple semi-grouser shoes (recommended for general/soft terrain)	5.32 psi (36.7 kPa)	5.97 psi (41.2 kPa)	
32-in. (800 mm) triple semi-grouser shoes (recommended for extremely soft terrain)	4.72 psi (32.5 kPa)	5.29 psi (36.5 kPa)	5.83 psi (40.2 kPa)

Capacities

Fuel tank	95 gal. (360 L)	100 gal. (380 L)	100 gal. (380 L)
Cooling system	24.4 qt. (23 L)	24.4 qt. (23 L)	24.4 qt. (23 L)
Engine lubrication, including filter	20 qt. (19 L)	26 qt. (24.5 L)	26 qt. (24.5 L)
Hydraulic tank	34 gal. (130 L)	39 gal. (148 L)	39 gal. (148 L)
Hydraulic system	52.8 gal. (200 L)	66 gal. (250 L)	66 gal. (250 L)
Propel gearbox (each)	5.5 qt. (5.2 L)	5.5 qt. (5.2 L)	5.5 qt. (5.2 L)
Swing drive	5 qt. (4.7 L)	8 qt. (7.6 L)	8 qt. (7.6 L)

Operating Weights

With full fuel tank; 175-lb. (79 kg) operator; and 32-in. (800 mm) triple semi-grouser shoes

With 1.12-cu. yd. (0.86 m ³), 42-in. (1065 mm), 1,590-lb. (723 kg) general-purpose bucket; 9-ft. 7-in. (2.91 m) arm; and 10,270-lb. (4658 kg) counterweight	46,130 lb. (20 925 kg)		
With 1.38-cu. yd. (1.06 m ³), 42-in. (1065 mm), 1,785-lb. (810 kg) general-purpose bucket; 11-ft. 10-in. (3.61 m) arm; and 11,265-lb. (5110 kg) counterweight	54,020 lb. (24 503 kg)		
With 1.75-cu. yd. (1.34 m ³), 42-in. (1065 mm), 1,966-lb. (892 kg) general-purpose bucket; 12-ft. 4-in. (3.75 m) arm; and 13,468-lb. (6109 kg) counterweight	62,870 lb. (28 518 kg)		

Component Weights

Undercarriage			
24-in. (600 mm) triple semi-grouser shoes	15,794 lb. (7164 kg)	17,685 lb. (8022 kg)	23,732 lb. (10 765 kg)
28-in. (700 mm) triple semi-grouser shoes	16,702 lb. (7576 kg)	18,629 lb. (8450 kg)	
32-in. (800 mm) triple semi-grouser shoes	17,328 lb. (7860 kg)	19,259 lb. (8736 kg)	25,915 lb. (11 755 kg)
Upperstructure with full fuel tank (less front attachments and boom lift cylinders [2])			
Less 10,270-lb. (4658 kg) counterweight	10,174 lb. (4615 kg)		
Less 11,265-lb. (5110 kg) counterweight	11,973 lb. (5431 kg)		
Less 13,468-lb. (6109 kg) counterweight	11,720 lb. (5316 kg)		
One-piece boom (with arm cylinder)	3,717 lb. (1686 kg)	4,868 lb. (2208 kg)	5,086 lb. (2307 kg)
Arm with bucket cylinder and linkage			
7 ft. 3 in. (2.22 m)	1,936 lb. (878 kg)		
9 ft. 7 in. (2.91 m)	2,125 lb. (964 kg)		
9 ft. 9 in. (2.96 m)	2,855 lb. (1295 kg)		
11 ft. 10 in. (3.61 m)	3,075 lb. (1395 kg)		
10 ft. 2 in. (3.10 m)			3,102 lb. (1407 kg)
12 ft. 4 in. (3.75 m)			3,298 lb. (1496 kg)
Boom lift cylinders (2) total weight	750 lb. (340 kg)	957 lb. (434 kg)	1,089 lb. (494 kg)
42-in. (1065 mm), 1.12-cu.-yd. (0.86 m ³) general-purpose bucket	1,590 lb. (723 kg)		
42-in. (1065 mm), 1.38-cu.-yd. (1.06 m ³) general-purpose bucket	1,785 lb. (810 kg)		
42-in. (1065 mm), 1.75-cu.-yd. (1.34 m ³) general-purpose bucket			1,966 lb. (892 kg)
Counterweight	10,270 lb. (4658 kg)	11,925 lb. (5409 kg)	13,468 lb. (6109 kg)

200C LC Operating Information

	Arm Length 7 ft. 3 in. (2.22 m)	Arm Length 9 ft. 7 in. (2.91 m)
Arm force with 42-in. (1065 mm) general-purpose bucket*	29,946 lb. (131 kN)	23,250 lb. (103.5 kN)
Bucket digging force with 42-in. (1065 mm), 1.12-cu. yd. (0.86 m ³) general-purpose bucket*	30,410 lb. (135.3 kN)	30,410 lb. (135.3 kN)
Lifting capacity over front @ ground level		
20-ft. (6.1 m) reach*	14,737 lb. (6685 kg)	14,764 lb. (6697 kg)
A Maximum reach	30 ft. 4 in. (9.25 m)	32 ft. 6 in. (9.91 m)
A¹ Maximum reach @ ground level	29 ft. 9 in. (9.08 m)	32 ft. (9.75 m)
B Maximum digging depth	19 ft. 7 in. (5.98 m)	21 ft. 11 in. (6.67 m)
B¹ Maximum digging depth @ 8-ft. (2.44 m) flat bottom	18 ft. 10 in. (5.74 m)	21 ft. 4 in. (6.49 m)
C Maximum cutting height	30 ft. 1 in. (9.17 m)	31 ft. 6 in. (9.60 m)
D Maximum dumping height	21 ft. (6.39 m)	22 ft. 3 in. (6.78 m)
E Minimum swing radius	11 ft. 7 in. (3.53 m)	11 ft. 7 in. (3.54 m)
F Maximum vertical wall	16 ft. 10 in. (5.14 m)	19 ft. 10 in. (6.05 m)
G Tail swing radius	9 ft. (2.75 m)	9 ft. (2.75 m)

*Digging forces and lift capacities with power boost.

230C LC Operating Information

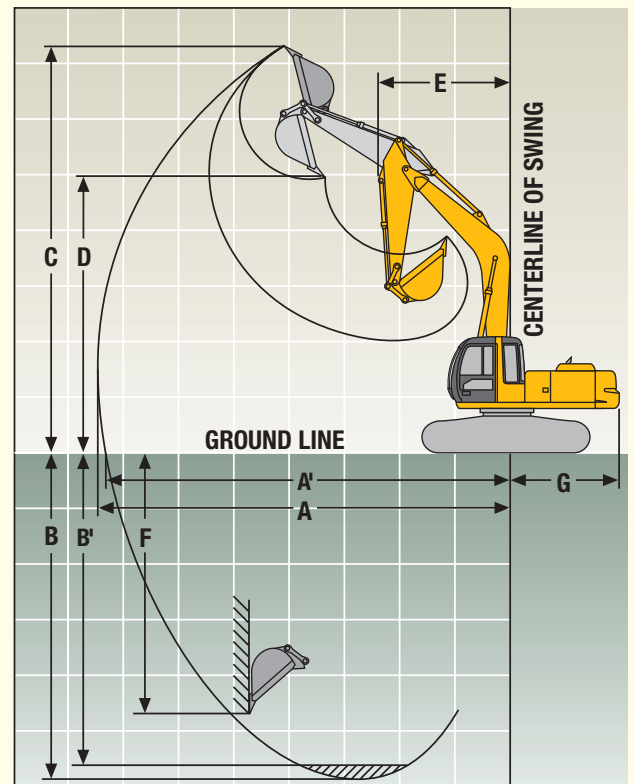
	Arm Length 9 ft. 9 in. (2.96 m)	Arm Length 11 ft. 10 in. (3.61 m)
Arm force with 42-in. (1065 mm) general-purpose bucket*	27,640 lb. (122.9 kN)	24,020 lb. (106.8 kN)
Bucket digging force with 42-in. (1065 mm), 1.38-cu. yd. (1.06 m ³) general-purpose bucket*	37,670 lb. (167 kN)	37,670 lb. (167 kN)
Lifting capacity over front @ ground level		
20-ft. (6.1 m) reach*	17,604 lb. (7985 kg)	16,672 lb. (7562 kg)
A Maximum reach	33 ft. 4 in. (10.16 m)	35 ft. 5 in. (10.79 m)
A¹ Maximum reach @ ground level	32 ft. 9 in. (9.99 m)	34 ft. 10 in. (10.62 m)
B Maximum digging depth	22 ft. 5 in. (6.84 m)	24 ft. 6 in. (7.48 m)
B¹ Maximum digging depth @ 8-ft. (2.44 m) flat bottom	21 ft. 9 in. (6.63 m)	24 ft. (7.32 m)
C Maximum cutting height	31 ft. 7 in. (9.63 m)	32 ft. 9 in. (9.99 m)
D Maximum dumping height	22 ft. 2 in. (6.76 m)	23 ft. 4 in. (7.10 m)
E Minimum swing radius	12 ft. 8 in. (3.87 m)	12 ft. 9 in. (3.89 m)
F Maximum vertical wall	19 ft. 5 in. (5.91 m)	21 ft. 9 in. (6.63 m)
G Tail swing radius	9 ft. 8 in. (2.94 m)	9 ft. 8 in. (2.94 m)

*Digging forces and lift capacities with power boost.

270C LC Operating Information

	Arm Length 10 ft. 2 in. (3.10 m)	Arm Length 12 ft. 4 in. (3.75 m)
Arm force with 42-in. (1065 mm) general-purpose bucket*	26,076 lb. (116 kN)	22,950 lb. (101.5 kN)
Bucket digging force with 42-in. (1065 mm), 1.75-cu. yd. (1.34 m ³) general-purpose bucket*	37,480 lb. (166.7 kN)	37,480 lb. (166.7 kN)
Lifting capacity over front @ ground level		
20-ft. (6.1 m) reach*	20,643 lb. (9364 kg)	19,537 lb. (8862 kg)
A Maximum reach	35 ft. 3 in. (10.74 m)	37 ft. 1 in. (11.30 m)
A¹ Maximum reach @ ground level	34 ft. 7 in. (10.55 m)	36 ft. 6 in. (11.12 m)
B Maximum digging depth	23 ft. 10 in. (7.26 m)	25 ft. 11 in. (7.91 m)
B¹ Maximum digging depth @ 8-ft. (2.44 m) flat bottom	23 ft. 2 in. (7.05 m)	25 ft. 8 in. (7.72 m)
C Maximum cutting height	32 ft. 10 in. (10.01 m)	33 ft. 5 in. (10.18 m)
D Maximum dumping height	23 ft. 2 in. (7.07 m)	23 ft. 9 in. (7.25 m)
E Minimum swing radius	13 ft. 7 in. (4.41 m)	13 ft. 6 in. (4.12 m)
F Maximum vertical wall	20 ft. 1 in. (6.11 m)	21 ft. 10 in. (6.66 m)
G Tail swing radius	9 ft. 8 in. (2.94 m)	9 ft. 8 in. (2.94 m)

*Digging forces and lift capacities with power boost.



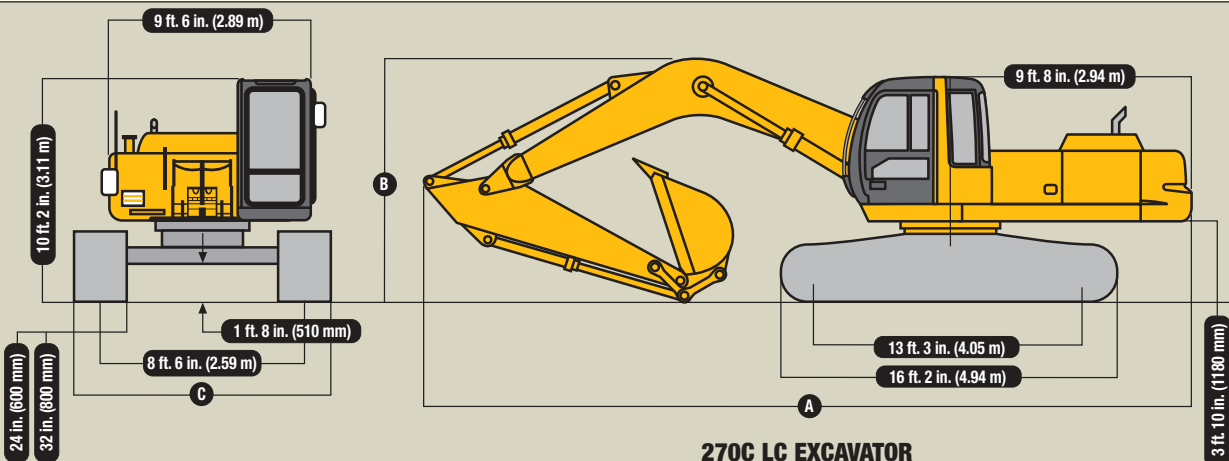
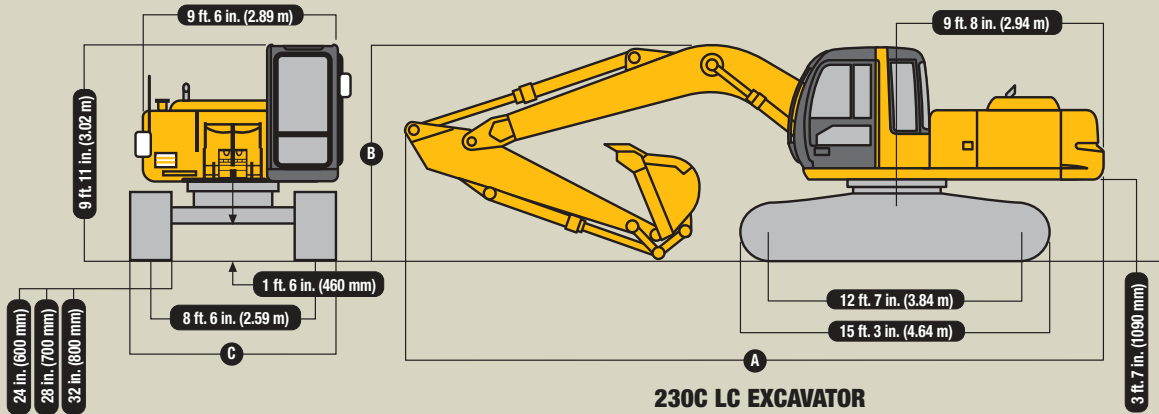
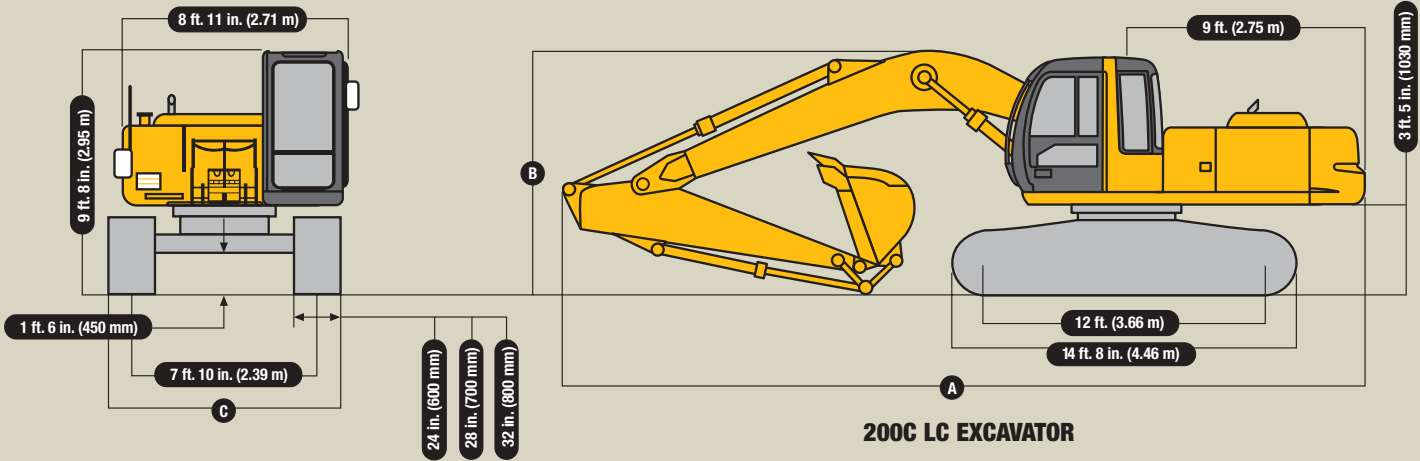
Dimensions

200C LC

230C LC

270C LC

A	7-ft. 3-in. (2.22 m) arm.....	31 ft. 7 in. (9.62 m)		
	9-ft. 7-in. (2.91 m) arm.....	31 ft. 2 in. (9.50 m)		
	9-ft. 9-in. (2.96 m) arm.....		33 ft. 3 in. (10.14 m)	
	11-ft. 10-in. (3.61 m) arm.....		33 ft. 6 in. (10.20 m)	
	10-ft. 2-in. (3.10 m) arm.....			33 ft. 9 in. (10.29 m)
	12 ft. 4 in. (3.75 m) arm.....			33 ft. 11 in. (10.34 m)
B	7-ft. 3-in. (2.22 m) arm.....	10 ft. 3 in. (3.13 m)		
	9-ft. 7-in. (2.91 m) arm.....	9 ft. 9 in. (2.97 m)		
	9-ft. 9-in. (2.96 m) arm.....		10 ft. 2 in. (3.10 m)	
	11-ft. 10-in. (3.61 m) arm.....		10 ft. 11 in. (3.32 m)	
	10-ft. 2-in. (3.10 m) arm.....			10 ft. 5 in. (3.17 m)
	12 ft. 4 in. (3.75 m) arm.....			11 ft. (3.35 m)
C	With 24-in. (600 mm) semi-grouser shoes.....	9 ft. 10 in. (2.99 m)	10 ft. 6 in. (3.19 m)	10 ft. 6 in. (3.19 m)
	With 28-in. (700 mm) semi-grouser shoes.....	10 ft. 2 in. (3.09 m)	10 ft. 10 in. (3.29 m)	
	With 32-in. (800 mm) semi-grouser shoes.....	10 ft. 6 in. (3.19 m)	11 ft. 2 in. (3.39 m)	11 ft. 2 in. (3.39 m)



200C LC Lift Capacities

Boldface italic type indicates hydraulic-limited capacities; lightface type indicates stability-limited capacities, in lb. (kg). Ratings at bucket lift hook; machine equipped with 1.12-cu. yd. (0.86 m³), 42-in. (1065 mm) wide, 1,590-lb. (723 kg) bucket; and situated on firm, uniform supporting surface. Total load includes weight of cables, hook, etc. Figures do not exceed 87 percent of hydraulic capacities or 75 percent of weight needed to tip machine. All lift capacities are with power boost and are based on SAE J1097.

Load Point Height	10 ft. (3.05 m)		15 ft. (4.57 m)		20 ft. (6.10 m)		25 ft. (7.62 m)		30 ft. (9.15 m)	
	Over Front	Over Side	Over Front	Over Side	Over Front	Over Side	Over Front	Over Side	Over Front	Over Side
<i>With 7-ft. 3-in. (2.22 m) arm and 24-in. (600 mm) shoes</i>										
20 ft. (6.10 m)					9,485 (4302)	9,485 (4302)				
15 ft. (4.57 m)					10,318 (4680)	10,023 (4546)				
10 ft. (3.05 m)			16,159 (7330)	14,860 (6740)	12,133 (5503)	9,519 (4318)	10,513 (4769)	6,574 (2982)		
5 ft. (1.52 m)					14,181 (6432)	8,989 (4077)	10,252 (4650)	6,336 (2874)		
Ground Line					14,243 (6461)	8,632 (3915)	10,048 (4558)	6,150 (2790)		
-5 ft. (-1.52 m)			21,774 (9877)	13,231 (6001)	14,099 (6395)	8,505 (3858)	9,992 (4532)	6,098 (2766)		
-10 ft. (-3.05 m)	19,899 (9026)	19,899 (9026)	19,972 (9059)	13,419 (6087)	14,209 (6445)	8,601 (3901)				
-15 ft. (-4.57 m)			15,778 (7157)	13,891 (6301)						
<i>With 9-ft. 7-in. (2.91 m) arm and 24-in. (600 mm) shoes</i>										
15 ft. (4.57 m)					8,883 (4029)	8,883 (4029)	8,724 (3957)	6,856 (3110)		
10 ft. (3.05 m)			13,702 (6215)	13,702 (6215)	10,818 (4907)	9,684 (4393)	9,551 (4332)	6,629 (3007)		
5 ft. (1.52 m)			18,545 (8412)	14,058 (6377)	13,097 (5941)	9,094 (4125)	10,272 (4659)	6,342 (2877)		
Ground Line			21,407 (9710)	13,309 (6037)	14,271 (6473)	8,640 (3919)	10,004 (4538)	6,097 (2766)		
-5 ft. (-1.52 m)	13,714 (6221)	13,714 (6221)	22,036 (9995)	13,091 (5938)	14,012 (6356)	8,411 (3815)	9,857 (4471)	5,963 (2705)		
-10 ft. (-3.05 m)	23,423 (10 624)	23,423 (10 624)	21,039 (9543)	13,167 (5972)	14,001 (6351)	8,402 (3811)	9,902 (4491)	6,004 (2723)		
-15 ft. (-4.57 m)	24,915 (11 301)	24,915 (11 301)	18,123 (8220)	13,497 (6122)	13,140 (5960)	8,651 (3924)				
<i>With 7-ft. 3-in. (2.22 m) arm and 28-in. (700 mm) shoes</i>										
20 ft. (6.10 m)					9,485 (4302)	9,485 (4302)				
15 ft. (4.57 m)					10,318 (4680)	10,204 (4628)				
10 ft. (3.05 m)			16,159 (7330)	15,124 (6860)	12,133 (5503)	9,700 (4400)	10,563 (4791)	6,711 (3044)		
5 ft. (1.52 m)					14,181 (6432)	9,170 (4159)	10,467 (4748)	6,473 (2936)		
Ground Line					14,535 (6593)	8,813 (3998)	10,264 (4656)	6,287 (2852)		
-5 ft. (-1.52 m)			21,774 (9877)	13,496 (6122)	14,391 (6528)	8,685 (3939)	10,207 (4630)	6,235 (2828)		
-10 ft. (-3.05 m)	19,899 (9026)	19,899 (9026)	19,972 (9059)	13,684 (6207)	14,501 (6578)	8,782 (3983)				
-15 ft. (-4.57 m)			15,778 (7157)	14,155 (6420)						
<i>With 9-ft. 7-in. (2.91 m) arm and 28-in. (700 mm) shoes</i>										
15 ft. (4.57 m)					8,883 (4029)	8,883 (4029)	8,724 (3957)	6,856 (3110)		
10 ft. (3.05 m)			13,702 (6215)	13,702 (6215)	10,818 (4907)	9,684 (4393)	9,551 (4332)	6,629 (3007)		
5 ft. (1.52 m)			18,545 (8412)	14,058 (6377)	13,097 (5941)	9,094 (4125)	10,272 (4659)	6,342 (2877)		
Ground Line			21,407 (9710)	13,309 (6037)	14,271 (6473)	8,640 (3919)	10,004 (4538)	6,097 (2766)		
-5 ft. (-1.52 m)	13,714 (6221)	13,714 (6221)	22,036 (9995)	13,091 (5938)	14,012 (6356)	8,411 (3815)	9,857 (4471)	5,963 (2705)		
-10 ft. (-3.05 m)	23,423 (10 624)	23,423 (10 624)	21,039 (9543)	13,167 (5972)	14,001 (6351)	8,402 (3811)	9,902 (4491)	6,004 (2723)		
-15 ft. (-4.57 m)	24,915 (11 301)	24,915 (11 301)	18,123 (8220)	13,497 (6122)	13,140 (5960)	8,651 (3924)				
<i>With 7-ft. 3-in. (2.22 m) arm and 32-in. (800 mm) shoes</i>										
20 ft. (6.10 m)					9,485 (4302)	9,485 (4302)				
15 ft. (4.57 m)					10,318 (4680)	10,318 (4680)				
10 ft. (3.05 m)			16,159 (7330)	15,306 (6942)	12,133 (5503)	9,824 (4456)	10,563 (4791)	6,806 (3087)		
5 ft. (1.52 m)					14,181 (6432)	9,294 (4216)	10,616 (4815)	6,568 (2979)		
Ground Line					14,737 (6685)	8,937 (4054)	10,412 (4723)	6,382 (2894)		
-5 ft. (-1.52 m)			21,774 (9877)	13,678 (6204)	14,593 (6619)	8,810 (3996)	10,355 (4697)	6,330 (2871)		
-10 ft. (-3.05 m)	19,899 (9026)	19,899 (9026)	19,972 (9059)	13,866 (6290)	14,702 (6669)	8,907 (4040)				
-15 ft. (-4.57 m)			15,778 (7157)	14,337 (6503)						
<i>With 9-ft. 7-in. (2.91 m) arm and 32-in. (800 mm) shoes</i>										
15 ft. (4.57 m)					8,883 (4029)	8,883 (4029)	8,724 (3957)	7,088 (3215)		
10 ft. (3.05 m)			13,702 (6215)	13,702 (6215)	10,818 (4907)	9,990 (4531)	9,551 (4332)	6,861 (3112)		
5 ft. (1.52 m)			18,545 (8412)	14,504 (6579)	13,097 (5941)	9,399 (4263)	10,636 (4824)	6,574 (2982)		
Ground Line			21,407 (9710)	13,755 (6239)	14,764 (6697)	8,945 (4057)	10,367 (4702)	6,329 (2871)		
-5 ft. (-1.52 m)	13,714 (6221)	13,714 (6221)	22,036 (9995)	13,538 (6141)	14,505 (6579)	8,716 (3954)	10,220 (4636)	6,195 (2810)		
-10 ft. (-3.05 m)	23,423 (10 624)	23,423 (10 624)	21,039 (9543)	13,614 (6175)	14,495 (6575)	8,707 (3949)	10,266 (4657)	6,236 (2829)		
-15 ft. (-4.57 m)	24,915 (11 301)	24,915 (11 301)	18,123 (8220)	13,943 (6324)	13,140 (5960)	8,957 (4063)				

270C LC Lift Capacities

Boldface italic type indicates hydraulic-limited capacities; lightface type indicates stability-limited capacities, in lb. (kg). Ratings at bucket lift hook; machine equipped with 1.75-cu. yd. (1.34 m³), 42-in. (1065 mm) wide, 1,966-lb. (892 kg) bucket; and situated on firm, uniform supporting surface. Total load includes weight of cables, hook, etc. Figures do not exceed 87 percent of hydraulic capacities or 75 percent of weight needed to tip machine. All lift capacities are with power boost and are based on SAE J11097.

Load Point Height	10 ft. (3.05 m)		15 ft. (4.57 m)		20 ft. (6.10 m)		25 ft. (7.62 m)		30 ft. (9.15 m)		
	Over Front	Over Side	Over Front	Over Side	Over Front	Over Side	Over Front	Over Side	Over Front	Over Side	
<i>With 10-ft. 2-in. (3.10 m) arm and 24-in. (600 mm) shoes</i>											
20 ft. (6.10 m)								9,998 (4535)	9,988 (4530)		
15 ft. (4.57 m)								10,841 (4917)	10,238 (4644)	7,014 (3181)	7,014 (3181)
10 ft. (3.05 m)			19,987 (9066)	19,987 (9066)	14,695 (6666)	14,190 (6436)	12,438 (5642)	9,771 (4432)	10,732 (4868)	6,989 (3170)	
5 ft. (1.52 m)			26,941 (12 220)	20,321 (9217)	18,092 (8206)	13,221 (5997)	14,278 (6476)	9,268 (4204)	11,565 (5246)	6,744 (2964)	
Ground Line			24,266 (11 007)	19,439 (8817)	20,643 (9364)	12,543 (5689)	15,236 (6911)	8,862 (4020)	11,336 (5142)	6,534 (2786)	
-5 ft. (-1.52 m)	11,720 (5316)	11,720 (5316)	30,593 (13 877)	19,266 (8739)	21,509 (9756)	12,226 (5546)	14,980 (6795)	8,632 (3915)	10,811 (4904)	6,439 (2921)	
-10 ft. (-3.05 m)	22,082 (10 016)	22,082 (10 016)	29,398 (13 335)	19,416 (8807)	21,487 (9746)	12,207 (5537)	14,963 (6787)	8,617 (3909)			
-15 ft. (-4.57 m)	34,463 (15 632)	34,463 (15 632)	26,341 (11 948)	19,850 (9004)	19,736 (8952)	12,476 (5659)					
-20 ft. (-6.10 m)			19,690 (8931)	19,690 (8931)							
<i>With 12-ft. 4-in. (3.75 m) arm and 24-in. (600 mm) shoes</i>											
15 ft. (4.57 m)							9,499 (4309)	9,499 (4309)	8,346 (3786)	7,317 (3319)	
10 ft. (3.05 m)					12,902 (5852)	12,902 (5852)	11,214 (5087)	9,931 (4505)	10,397 (4716)	7,072 (3208)	
5 ft. (1.52 m)			23,934 (10 856)	21,010 (9530)	16,527 (7497)	13,480 (6114)	13,221 (5997)	9,371 (4251)	11,506 (5219)	6,774 (3073)	
Ground Line			28,654 (12 997)	19,638 (8908)	19,537 (8862)	12,652 (5739)	15,055 (6829)	8,887 (4031)	11,317 (5133)	6,504 (2950)	
-5 ft. (-1.52 m)	13,075 (5931)	13,075 (5931)	30,367 (13 774)	19,155 (8689)	21,337 (9678)	12,185 (5527)	14,928 (6771)	8,571 (3888)	11,127 (5047)	6,329 (2871)	
-10 ft. (-3.05 m)	23,260 (10 551)	23,260 (10 551)	30,084 (13 646)	19,140 (8682)	21,320 (9671)	12,043 (5463)	14,802 (6714)	8,457 (3836)	9,313 (4224)	6,321 (2867)	
-15 ft. (-4.57 m)	35,784 (16 231)	35,784 (16 231)	27,986 (12 694)	19,445 (8820)	20,706 (9392)	12,184 (5527)	14,951 (6782)	8,591 (3897)			
-20 ft. (-6.10 m)	32,182 (14 598)	32,182 (14 598)	23,188 (10 518)	20,123 (9128)	16,916 (7673)	12,693 (5757)					
<i>With 10-ft. 2-in. (3.10 m) arm and 32-in. (800 mm) shoes</i>											
20 ft. (6.10 m)							9,998 (4535)	9,988 (4530)			
15 ft. (4.57 m)							10,841 (4917)	10,602 (4809)	7,014 (3181)	7,014 (3181)	
10 ft. (3.05 m)			19,987 (9066)	19,987 (9066)	14,695 (6666)	14,671 (6655)	12,438 (5642)	10,135 (4597)	10,732 (4868)	7,282 (3303)	
5 ft. (1.52 m)			26,941 (12 220)	21,033 (9540)	18,092 (8206)	13,703 (6216)	14,278 (6476)	9,631 (4369)	12,029 (5456)	7,036 (3191)	
Ground Line			24,266 (11 007)	20,151 (9140)	20,643 (9364)	13,025 (5908)	15,286 (6934)	9,225 (4184)	11,800 (5352)	6,826 (3096)	
-5 ft. (-1.52 m)	11,720 (5316)	11,720 (5316)	30,593 (13 877)	19,979 (9062)	21,872 (9921)	12,707 (5764)	15,571 (7063)	8,996 (4080)	10,811 (4904)	6,732 (3054)	
-10 ft. (-3.05 m)	22,082 (10 016)	22,082 (10 016)	29,398 (13 335)	20,219 (9130)	21,704 (9845)	12,689 (5756)	15,554 (7055)	8,980 (4073)			
-15 ft. (-4.57 m)	34,463 (15 632)	34,463 (15 632)	26,341 (11 948)	20,563 (9327)	19,736 (8952)	12,957 (5877)					
-20 ft. (-6.10 m)			19,690 (8931)	19,690 (8931)							
<i>With 12-ft. 4-in. (3.75 m) arm and 32-in. (800 mm) shoes</i>											
15 ft. (4.57 m)							9,499 (4309)	9,499 (4309)	8,346 (3786)	7,609 (3451)	
10 ft. (3.05 m)					12,902 (5852)	12,902 (5852)	11,214 (5087)	10,295 (4670)	10,397 (4716)	7,365 (3341)	
5 ft. (1.52 m)			23,934 (10 856)	21,723 (9853)	16,527 (7497)	13,962 (6333)	13,221 (5997)	9,734 (4415)	11,506 (5219)	7,066 (3205)	
Ground Line			28,654 (12 997)	20,351 (9231)	19,537 (8862)	13,133 (5957)	15,055 (6829)	9,251 (4196)	11,781 (5344)	6,796 (3083)	
-5 ft. (-1.52 m)	13,075 (5931)	13,075 (5931)	30,367 (13 774)	19,868 (9012)	21,337 (9678)	12,667 (5746)	15,519 (7039)	8,934 (4052)	11,591 (5258)	6,621 (3003)	
-10 ft. (-3.05 m)	23,260 (10 551)	23,260 (10 551)	30,084 (13 646)	19,852 (9005)	21,795 (9886)	12,524 (5681)	15,393 (6982)	8,821 (4001)	9,313 (4224)	6,613 (3000)	
-15 ft. (-4.57 m)	35,784 (16 231)	35,784 (16 231)	27,986 (12 694)	20,157 (9143)	20,706 (9392)	12,665 (5745)	15,542 (7050)	8,955 (4062)			
-20 ft. (-6.10 m)	32,182 (14 598)	32,182 (14 598)	23,188 (10 518)	20,835 (9451)	16,916 (7673)	13,174 (5976)					

200C LC Buckets

A full line of buckets is offered to meet a wide variety of applications. Digging forces are with power boost. The buckets have an adjustable bushing for side clearance, with the exception of the ditching bucket. Tooth selection includes either the John Deere Fanggs®, Standard, Tiger, Twin Tiger, Abrasion panel, or Flare tooth, or the ESCO (Vertalok) Standard, Tiger, Twin Tiger, or Flare tooth. Replaceable cutting edges are available through John Deere parts. Optional side cutters add 6 inches (150 mm) to bucket widths.

Type Bucket	Bucket Width		Bucket Capacity*		Weight		Bucket Dig Force		Arm Dig Force 7 ft. 3 in. (2.22 m)		Arm Dig Force 9 ft. 7 in. (2.91 m)		Bucket Tip Radius		No. Teeth
	in.	mm	cu. yd.	m ³	lb.	kg	lb.	kN	lb.	kN	lb.	kN	in.	mm	
General-Purpose	24	610	0.59	0.45	1,106	502	30,410	135.3	29,946	133.2	23,250	103.4	55.5	1410	4
Plate Lip	30	760	0.77	0.59	1,182	536	30,410	135.3	29,946	133.2	23,250	103.4	55.5	1410	4
	36	915	0.95	0.73	1,401	635	30,410	135.3	29,946	133.2	23,250	103.4	55.5	1410	5
	42	1065	1.12	0.86	1,590	721	30,410	135.3	29,946	133.2	23,250	103.4	55.5	1410	5
	48	1220	1.30	0.99	1,673	759	30,410	135.3	29,946	133.2	23,250	103.4	55.5	1410	6
General-Purpose	30	760	0.95	0.73	1,391	631	29,348	130.5	29,531	131.4	22,979	102.2	57.5	1461	4
High Capacity	36	915	1.16	0.89	1,451	658	29,348	130.5	29,531	131.4	22,979	102.2	57.5	1461	5
	42	1065	1.38	1.06	1,596	724	29,348	130.5	29,531	131.4	22,979	102.2	57.5	1461	5
	48	1220	1.60	1.22	1,785	809	29,348	130.5	29,531	131.4	22,979	102.2	57.5	1461	6

*All capacities are SAE heaped ratings and with side cutters.

200C LC Buckets (cont.)

A full line of buckets is offered to meet a wide variety of applications. Digging forces are with power boost. The buckets have an adjustable bushing for side clearance, with the exception of the ditching bucket. Tooth selection includes either the John Deere Fanggs®, Standard, Tiger, Twin Tiger, Abrasion panel, or Flare tooth, or the ESCO (Vertalok) Standard, Tiger, Twin Tiger, or Flare tooth. Replaceable cutting edges are available through John Deere parts. Optional side cutters add 6 inches (150 mm) to bucket widths.

Type Bucket	Bucket Width		Bucket Capacity*		Weight		Bucket Dig Force		Arm Dig Force 7 ft. 3 in. (2.22 m)		Arm Dig Force 9 ft. 7 in. (2.91 m)		Bucket Tip Radius		No. Teeth
	in.	mm	cu. yd.	m ³	lb.	kg	lb.	kN	lb.	kN	lb.	kN	in.	mm	
Heavy-Duty Plate Lip	24	610	0.59	0.45	1,358	616	30,410	135.3	29,946	133.2	23,250	103.4	55.5	1410	4
	30	760	0.77	0.59	1,447	656	30,410	135.3	29,946	133.2	23,250	103.4	55.5	1410	4
	36	915	0.95	0.73	1,567	711	30,410	135.3	29,946	133.2	23,250	103.4	55.5	1410	5
	42	1065	1.12	0.86	1,676	760	30,410	135.3	29,946	133.2	23,250	103.4	55.5	1410	5
	48	1220	1.30	0.99	1,759	798	30,410	135.3	29,946	133.2	23,250	103.4	55.5	1410	6
Heavy-Duty High Capacity	24	610	0.73	0.56	1,401	635	29,348	130.5	29,531	131.4	22,979	102.2	57.5	1461	4
	30	760	0.95	0.73	1,528	693	29,348	130.5	29,531	131.4	22,979	102.2	57.5	1461	4
	36	915	1.16	0.89	1,629	739	29,348	130.5	29,531	131.4	22,979	102.2	57.5	1461	5
	42	1065	1.38	1.06	1,701	771	29,348	130.5	29,531	131.4	22,979	102.2	57.5	1461	5
Severe-Duty Cast Lip	24	610	0.59	0.45	1,439	653	30,410	135.3	29,946	133.2	23,250	103.4	55.5	1410	3
	30	760	0.77	0.59	1,551	703	30,410	135.3	29,946	133.2	23,250	103.4	55.5	1410	4
	36	915	0.95	0.73	1,629	739	30,410	135.3	29,946	133.2	23,250	103.4	55.5	1410	4
Severe-Duty Plate Lip	30	760	0.77	0.59	1,760	798	30,410	135.3	29,946	133.2	23,250	103.4	55.5	1410	4
	36	915	0.95	0.73	1,859	843	30,410	135.3	29,946	133.2	23,250	103.4	55.5	1410	4
Ditching	60	1500	0.90	0.69	1,121	508	45,615	202.9	34,400	153.0	24,881	110.7	37.0	940	0
	72	1800	1.06	0.81	1,244	564	45,615	202.9	34,400	153.0	24,881	110.7	37.0	940	0

*All capacities are SAE heaped ratings and with side cutters.

230C LC Buckets

A full line of buckets is offered to meet a wide variety of applications. Digging forces are with power boost. The buckets have an adjustable bushing for side clearance, with the exception of the ditching bucket. Tooth selection includes either the John Deere Fanggs®, Standard, Tiger, Twin Tiger, Abrasion panel, or Flare tooth, or the ESCO (Vertalok) Standard, Tiger, Twin Tiger, or Flare tooth. Replaceable cutting edges are available through John Deere parts. Optional side cutters add 6 inches (150 mm) to bucket widths.

Type Bucket	Bucket Width		Bucket Capacity*		Weight		Bucket Dig Force		Arm Dig Force 9 ft. 9 in. (2.96 m)		Arm Dig Force 11 ft. 10 in. (3.61 m)		Bucket Tip Radius		No. Teeth
	in.	mm	cu. yd.	m ³	lb.	kg	lb.	kN	lb.	kN	lb.	kN	in.	mm	
General-Purpose Plate Lip	24	610	0.95	0.73	1,453	659	35,846	159.4	26,710	118.8	23,313	103.7	62.5	1588	3
	30	760	1.20	0.92	1,731	785	35,846	159.4	26,710	118.8	23,313	103.7	62.5	1588	4
	36	915	1.48	1.13	1,845	837	35,846	159.4	26,710	118.8	23,313	103.7	62.5	1588	5
	42	1065	1.38	1.06	1,785	810	37,670	167.0	27,690	122.9	24,020	106.8	56.5	1435	5
	42	1065	1.75	1.34	1,966	892	35,846	159.4	26,710	118.8	23,313	103.7	62.5	1588	5
	48	1220	2.03	1.55	2,068	938	35,846	159.4	26,710	118.8	23,313	103.7	62.5	1588	6
Heavy-Duty Plate Lip	30	760	0.95	0.73	1,930	875	37,676	167.0	27,690	122.9	24,020	106.8	56.5	1435	4
	36	915	1.16	0.89	2,075	941	37,676	167.0	27,690	122.9	24,020	106.8	56.5	1435	4
	42	1065	1.38	1.06	2,195	996	37,676	167.0	27,690	122.9	24,020	106.8	56.5	1435	5
	48	1220	1.60	1.22	2,359	1070	37,676	167.0	27,690	122.9	24,020	106.8	56.5	1435	6
	54	1370	1.82	1.39	2,507	1137	37,676	167.0	27,690	122.9	24,020	106.8	56.5	1435	6
Heavy-Duty High Capacity	24	610	0.92	0.70	1,765	801	35,846	159.4	26,710	118.8	23,313	103.7	62.5	1588	3
	30	760	1.20	0.92	2,010	912	35,846	159.4	26,710	118.8	23,313	103.7	62.5	1588	4
	36	915	1.48	1.13	2,133	968	35,846	159.4	26,710	118.8	23,313	103.7	62.5	1588	4
	42	1065	1.75	1.34	2,279	1034	35,846	159.4	26,710	118.8	23,313	103.7	62.5	1588	5
	48	1200	2.03	1.55	2,505	1136	35,846	159.4	26,710	118.8	23,313	103.7	62.5	1588	6
Severe-Duty Cast Lip	36	915	1.16	0.89	1,921	871	39,058	173.7	27,319	121.5	23,777	105.8	54.5	1384	4
	42	1065	1.38	1.06	2,119	961	39,058	173.7	27,319	121.5	23,777	105.8	54.5	1384	5
Severe-Duty Plate Lip	30	760	0.95	0.73	2,080	943	37,676	167.0	27,640	122.9	24,020	106.8	56.5	1435	4
	36	915	1.16	0.89	2,179	988	37,676	167.0	27,640	122.9	24,020	106.8	56.5	1435	4
	42	1065	1.38	1.06	2,345	1064	37,676	167.0	27,640	122.9	24,020	106.8	56.5	1435	5
Ditching	60	1525	1.34	1.02	1,562	709	45,273	201.4	29,244	130.1	25,225	112.2	47.0	1194	0
	72	1830	1.66	1.27	1,759	798	45,273	201.4	29,244	130.1	25,225	112.2	47.0	1194	0

*All capacities are SAE heaped ratings and with side cutters.

270C LC Buckets

A full line of buckets is offered to meet a wide variety of applications. Digging forces are with power boost. The buckets have an adjustable bushing for side clearance, with the exception of the ditching bucket. Tooth selection includes either the John Deere Fanggs®, Standard, Tiger, Twin Tiger, Abrasion panel, or Flare tooth, or the ESCO (Vertalok) Standard, Tiger, Twin Tiger, or Flare tooth. Replaceable cutting edges are available through John Deere parts. Optional side cutters add 6 inches (150 mm) to bucket widths.

Type Bucket	Bucket Width		Bucket Capacity*		Weight		Bucket Dig Force		Arm Dig Force 10 ft. 2 in. (3.10 m)		Arm Dig Force 12 ft. 4 in. (3.75 m)		Bucket Tip Radius		No. Teeth
	in.	mm	cu. yd.	m ³	lb.	kg	lb.	kN	lb.	kN	lb.	kN	in.	mm	
General-Purpose	24	610	0.95	0.73	1,453	659	37,480	167.0	26,056	116.0	22,950	101.5	62.5	1588	3
Plate Lip	30	760	1.20	0.92	1,731	785	37,480	167.0	26,056	116.0	22,950	101.5	62.5	1588	4
	36	915	1.48	1.13	1,845	837	37,480	167.0	26,056	116.0	22,950	101.5	62.5	1588	5
	42	1065	1.38	1.06	1,785	810	41,476	184.5	26,956	119.9	23,627	105.1	56.5	1435	5
	42	1065	1.75	1.34	1,966	892	37,480	167.0	26,056	116.0	22,950	101.5	62.5	1588	5
	48	1220	2.03	1.55	2,068	938	37,480	167.0	26,056	116.0	22,950	101.5	62.5	1588	6
Heavy-Duty	30	760	0.95	0.73	1,930	875	41,476	184.5	26,956	119.9	23,627	105.1	56.5	1435	4
Plate Lip	36	915	1.16	0.89	2,075	941	41,476	184.5	26,956	119.9	23,627	105.1	56.5	1435	4
	42	1065	1.38	1.06	2,195	996	41,476	184.5	26,956	119.9	23,627	105.1	56.5	1435	5
	48	1220	1.60	1.22	2,359	1070	41,476	184.5	26,956	119.9	23,627	105.1	56.5	1435	6
	54	1370	1.82	1.39	2,507	1137	41,476	184.5	26,956	119.9	23,627	105.1	56.5	1435	6
Heavy-Duty High Capacity	24	610	0.92	0.70	1,765	801	37,480	166.7	26,076	116.0	22,950	101.5	62.5	1588	3
	30	760	1.20	0.92	2,010	912	37,480	166.7	26,076	116.0	22,950	101.5	62.5	1588	4
	36	915	1.48	1.13	2,133	968	37,480	166.7	26,076	116.0	22,950	101.5	62.5	1588	4
	42	1065	1.75	1.34	2,279	1034	37,480	166.7	26,076	116.0	22,950	101.5	62.5	1588	5
	48	1200	2.03	1.55	2,505	1136	37,480	166.7	26,076	116.0	22,950	101.5	62.5	1588	6
Severe-Duty Cast Lip	36	915	1.16	0.89	1,921	871	43,005	191.3	27,262	121.3	23,862	106.1	54.5	1384	4
	42	1065	1.38	1.06	2,119	961	43,005	191.3	27,262	121.3	23,862	106.1	54.5	1384	5
Severe-Duty Plate Lip	30	760	0.95	0.73	2,080	943	41,476	184.5	26,956	119.9	23,627	105.1	56.5	1435	4
	36	915	1.16	0.89	2,179	988	41,476	184.5	26,956	119.9	23,627	105.1	56.5	1435	4
	42	1065	1.38	1.06	2,345	1064	41,476	184.5	26,956	119.9	23,627	105.1	56.5	1435	5
Ditching	60	1525	1.34	1.02	1,562	709	49,848	221.7	28,469	126.6	24,779	110.2	47.0	1194	0
	72	1830	1.66	1.27	1,759	798	49,848	221.7	28,469	126.6	24,779	110.2	47.0	1194	0

*All capacities are SAE heaped ratings.

200C LC Bucket Selection Guide

Material (loose weight)	Recommended Bucket Size	
	General-Purpose Bucket*	Heavy-Duty Bucket*
Wood chips – 700 lb./cu. yd. (420 kg/m ³)	6.50 cu. yd. (5.0 m ³)	—
Peat, dry – 750 lb./cu. yd. (440 kg/m ³)	5.50 cu. yd. (4.2 m ³)	—
Cinders – 950 lb./cu. yd. (560 kg/m ³)	4.00 cu. yd. (3.1 m ³)	—
Peat, wet – 1,170 lb./cu. yd. (690 kg/m ³)	3.50 cu. yd. (2.7 m ³)	—
Topsoil – 1,600 lb./cu. yd. (950 kg/m ³)	2.50 cu. yd. (1.9 m ³)	—
Coal – 1,780 lb./cu. yd. (1050 kg/m ³)	2.25 cu. yd. (1.7 m ³)	—
Caliche – 2,100 lb./cu. yd. (1250 kg/m ³)	1.38 to 1.75 cu. yd. (1.1 to 1.3 m ³)	1.25 to 1.50 cu. yd. (1.0 to 1.2 m ³)
Earth, loam – 2,100 lb./cu. yd. (1250 kg/m ³)	1.75 cu. yd. (1.3 m ³)	1.50 cu. yd. (1.2 m ³)
Shale – 2,250 lb./cu. yd. (1330 kg/m ³)	1.75 cu. yd. (1.3 m ³)	1.50 cu. yd. (1.2 m ³)
Sand, dry – 2,400 lb./cu. yd. (1420 kg/m ³)	1.75 cu. yd. (1.3 m ³)	1.50 cu. yd. (1.2 m ³)
Clay, dry – 2,500 lb./cu. yd. (1480 kg/m ³)	1.12 to 1.50 cu. yd. (0.9 to 1.1 m ³)	1.38 cu. yd. (1.1 m ³)
Earth, dry – 2,550 lb./cu. yd. (1510 kg/m ³)	1.38 to 1.50 cu. yd. (1.1 to 1.2 m ³)	1.38 cu. yd. (1.1 m ³)
Limestone, broken or crushed – 2,600 lb./cu. yd. (1540 kg/m ³)	1.12 to 1.50 cu. yd. (0.9 to 1.2 m ³)	1.00 to 1.38 cu. yd. (0.8 to 1.1 m ³)
Earth, wet – 2,700 lb./cu. yd. (1600 kg/m ³)	1.50 cu. yd. (1.2 m ³)	1.38 cu. yd. (1.1 m ³)
Clay, wet – 2,800 lb./cu. yd. (1660 kg/m ³)	1.50 cu. yd. (1.2 m ³)	1.38 cu. yd. (1.1 m ³)
Rock, granite, blasted and broken – 2,800 lb./cu. yd. (1660 kg/m ³)	1.38 to 1.75 cu. yd. (1.1 to 1.3 m ³)	1.25 to 1.50 cu. yd. (1.0 to 1.2 m ³)
Sand, moist – 2,850 lb./cu. yd. (1690 kg/m ³)	1.50 cu. yd. (1.2 m ³)	1.38 cu. yd. (1.1 m ³)
Sand and gravel, dry – 2,900 lb./cu. yd. (1720 kg/m ³)	1.50 cu. yd. (1.2 m ³)	1.38 cu. yd. (1.1 m ³)
Sand, wet – 3,100 lb./cu. yd. (1840 kg/m ³)	1.38 cu. yd. (1.1 m ³)	1.25 cu. yd. (1.0 m ³)
Sand and gravel, wet – 3,400 lb./cu. yd. (2020 kg/m ³)	1.38 cu. yd. (1.1 m ³)	1.25 cu. yd. (1.0 m ³)

*Contact your John Deere dealer for optimum bucket and attachment selections. These recommendations are for general conditions and average use. Larger buckets may be possible when using light buckets, for flat and level operations, less compacted materials, and volume loading applications such as mass excavation applications in ideal conditions. Smaller buckets are recommended for adverse conditions such as off-level applications and uneven surfaces. Bucket capacity indicated is SAE heaped.

230C LC Bucket Selection Guide

Material (loose weight)	Recommended Bucket Size	
	General-Purpose Bucket*	Heavy-Duty Bucket*
Wood chips – 700 lb./cu. yd. (420 kg/m ³)	7.0 cu. yd. (5.4 m ³)	—
Peat, dry – 750 lb./cu. yd. (440 kg/m ³)	6.0 cu. yd. (4.6 m ³)	—
Cinders – 950 lb./cu. yd. (560 kg/m ³)	4.25 cu. yd. (3.2 m ³)	—
Peat, wet – 1,170 lb./cu. yd. (690 kg/m ³)	3.75 cu. yd. (2.9 m ³)	—
Topsoil – 1,600 lb./cu. yd. (950 kg/m ³)	2.5 cu. yd. (1.9 m ³)	—
Coal – 1,780 lb./cu. yd. (1050 kg/m ³)	2.5 cu. yd. (1.9 m ³)	—
Caliche – 2,100 lb./cu. yd. (1250 kg/m ³)	1.25–1.75 cu. yd. (1.0–1.3 m ³)	1.13–1.50 cu. yd. (0.9–1.2 m ³)
Earth, loam – 2,100 lb./cu. yd. (1250 kg/m ³)	1.75 cu. yd. (1.3 m ³)	1.50 cu. yd. (1.2 m ³)
Shale – 2,250 lb./cu. yd. (1330 kg/m ³)	1.75 cu. yd. (1.3 m ³)	1.50 cu. yd. (1.2 m ³)
Sand, dry – 2,400 lb./cu. yd. (1420 kg/m ³)	1.75 cu. yd. (1.3 m ³)	1.50 cu. yd. (1.2 m ³)
Clay, dry – 2,500 lb./cu. yd. (1480 kg/m ³)	1.25–1.75 cu. yd. (1.0–1.3 m ³)	1.38 cu. yd. (1.1 m ³)
Earth, dry – 2,550 lb./cu. yd. (1510 kg/m ³)	1.25–1.63 cu. yd. (1.0–1.2 m ³)	1.38 cu. yd. (1.1 m ³)
Limestone, broken or crushed – 2,600 lb./cu. yd. (1540 kg/m ³)	1.13–1.63 cu. yd. (0.9–1.2 m ³)	1.0–1.38 cu. yd. (0.8–1.0 m ³)
Earth, wet – 2,700 lb./cu. yd. (1600 kg/m ³)	1.75 cu. yd. (1.3 m ³)	1.63 cu. yd. (1.2 m ³)
Clay, wet – 2,800 lb./cu. yd. (1660 kg/m ³)	1.63 cu. yd. (1.2 m ³)	1.50 cu. yd. (1.2 m ³)
Rock, granite, blasted and broken – 2,800 lb./cu. yd. (1660 kg/m ³)	1.50–1.75 cu. yd. (1.2–1.3 m ³)	1.25–1.50 cu. yd. (1.0–1.2 m ³)
Sand, moist – 2,850 lb./cu. yd. (1690 kg/m ³)	1.63 cu. yd. (1.2 m ³)	1.50 cu. yd. (1.2 m ³)
Sand and gravel, dry – 2,900 lb./cu. yd. (1720 kg/m ³)	1.63 cu. yd. (1.2 m ³)	1.50 cu. yd. (1.2 m ³)
Sand, wet – 3,100 lb./cu. yd. (1840 kg/m ³)	1.50 cu. yd. (1.2 m ³)	1.38 cu. yd. (1.0 m ³)
Sand and gravel, wet – 3,400 lb./cu. yd. (2020 kg/m ³)	1.50 cu. yd. (1.2 m ³)	1.38 cu. yd. (1.0 m ³)

*Contact your John Deere dealer for optimum bucket and attachment selections. These recommendations are for general conditions and average use. Larger buckets may be possible when using light buckets, for flat and level operations, less compacted materials, and volume loading applications such as mass excavation applications in ideal conditions. Smaller buckets are recommended for adverse conditions such as off-level applications and uneven surfaces. Bucket capacity indicated is SAE heaped.

270C LC Bucket Selection Guide

Material (loose weight)	Recommended Bucket Size	
	General-Purpose Bucket*	Heavy-Duty Bucket*
Wood chips – 700 lb./cu. yd. (420 kg/m ³)	8.0 cu. yd. (6.2 m ³)	—
Peat, dry – 750 lb./cu. yd. (440 kg/m ³)	7.0 cu. yd. (5.4 m ³)	—
Cinders – 950 lb./cu. yd. (560 kg/m ³)	5.0 cu. yd. (3.9 m ³)	—
Peat, wet – 1,170 lb./cu. yd. (690 kg/m ³)	4.5 cu. yd. (3.5 m ³)	—
Topsoil – 1,600 lb./cu. yd. (950 kg/m ³)	3.25 cu. yd. (2.5 m ³)	—
Coal – 1,780 lb./cu. yd. (1050 kg/m ³)	3.25 cu. yd. (2.5 m ³)	—
Caliche – 2,100 lb./cu. yd. (1250 kg/m ³)	1.50–2.0 cu. yd. (1.2–1.5 m ³)	1.25–2.0 cu. yd. (1.0–1.5 m ³)
Earth, loam – 2,100 lb./cu. yd. (1250 kg/m ³)	2.25 cu. yd. (1.7 m ³)	2.0 cu. yd. (1.5 m ³)
Shale – 2,250 lb./cu. yd. (1330 kg/m ³)	2.25 cu. yd. (1.7 m ³)	2.0 cu. yd. (1.5 m ³)
Sand, dry – 2,400 lb./cu. yd. (1420 kg/m ³)	2.25 cu. yd. (1.7 m ³)	2.0 cu. yd. (1.5 m ³)
Clay, dry – 2,500 lb./cu. yd. (1480 kg/m ³)	1.50–2.0 cu. yd. (1.2–1.3 m ³)	1.75 cu. yd. (1.3 m ³)
Earth, dry – 2,550 lb./cu. yd. (1510 kg/m ³)	1.50–2.0 cu. yd. (1.2–1.3 m ³)	1.75 cu. yd. (1.3 m ³)
Limestone, broken or crushed – 2,600 lb./cu. yd. (1540 kg/m ³)	1.50–2.0 cu. yd. (1.2–1.5 m ³)	1.38–1.75 cu. yd. (1.1–1.3 m ³)
Earth, wet – 2,700 lb./cu. yd. (1600 kg/m ³)	2.0 cu. yd. (1.5 m ³)	1.75 cu. yd. (1.3 m ³)
Clay, wet – 2,800 lb./cu. yd. (1660 kg/m ³)	2.0 cu. yd. (1.5 m ³)	1.75 cu. yd. (1.3 m ³)
Rock, granite, blasted and broken – 2,800 lb./cu. yd. (1660 kg/m ³)	1.75–2.0 cu. yd. (1.3–1.5 m ³)	1.50–1.75 cu. yd. (1.2–1.3 m ³)
Sand, moist – 2,850 lb./cu. yd. (1690 kg/m ³)	2.0 cu. yd. (1.5 m ³)	1.75 cu. yd. (1.3 m ³)
Sand and gravel, dry – 2,900 lb./cu. yd. (1720 kg/m ³)	2.0 cu. yd. (1.5 m ³)	1.75 cu. yd. (1.3 m ³)
Sand, wet – 3,100 lb./cu. yd. (1840 kg/m ³)	1.50 cu. yd. (1.2 m ³)	1.63 cu. yd. (1.2 m ³)
Sand and gravel, wet – 3,400 lb./cu. yd. (2020 kg/m ³)	1.75 cu. yd. (1.3 m ³)	1.63 cu. yd. (1.2 m ³)

*Contact your John Deere dealer for optimum bucket and attachment selections. These recommendations are for general conditions and average use. Larger buckets may be possible when using light buckets, for flat and level operations, less compacted materials, and volume loading applications such as mass excavation applications in ideal conditions. Smaller buckets are recommended for adverse conditions such as off-level applications and uneven surfaces. Bucket capacity indicated is SAE heaped.

200C LC / 230C LC / 270C LC Excavators

Key: ● Standard equipment ▲ Optional or special equipment

*See your John Deere dealer for further information.

200 230 270 Engine

- ● ● Meets EPA Tier II non-road emissions regulations
- ● ● Auto-idle system
- ● ● Automatic belt tension device
- ● ● Batteries (two 12 volt), 180-min. reserve capacity
- ● ● Coolant recovery tank
- ● ● Dual element dry-type air filter
- ● ● Electronic engine control with diagnostics capability
- ● ● Enclosed fan guard (conforms to SAE J1308)
- ● ● Engine coolant to -34°F (-37°C)
- ● ● Fuel filter with water separator
- ● ● Full-flow oil filter
- ● ● Radiator trash screen
- ● ● Tier II EPA off-road emission compliant
- ● ● Turbocharger with charge air cooler
- ● ● Underhood muffler with vertical curved end exhaust stack
- ▲ ▲ ▲ Electric ether starting aid
- ▲ ▲ ▲ Engine coolant heater

Hydraulic System

- ● ● Reduced-drift valve for boom down, arm in
- ● ● Auxiliary hydraulic valve section
- ● ● Spring-applied, hydraulically released automatic swing brake
- ▲ ▲ ▲ Auxiliary hydraulic lines
- ▲ ▲ ▲ Auxiliary pilot and electric controls
- ▲ ▲ ▲ Hydraulic filter restriction indicator kit
- ▲ ▲ ▲ Load-lowering control device
- ▲ ▲ ▲ Single pedal propel control

Undercarriage

- ● ● Planetary drive with axial piston motors
- ● ● Propel motor shields
- ● ● Track guides, front idler and center
- ● ● Triple semi-grouser shoes, 32 in. (800 mm)
- ▲ ▲ ▲ Triple semi-grouser shoes, 24 in. (600 mm)
- ▲ ▲ ▲ Triple semi-grouser shoes, 28 in. (700 mm)
- ● ● Two-speed propel with automatic shift
- ● ● Upper carrier rollers (2)

Upperstructure

- ● ● Right- and left-hand mirrors
- ● ● Vandal locks with ignition key: Cab door / Fuel cap / Service doors

200 230 270 Front Attachments

- ● ● Bucket-to-arm clearance adjustable bushing (except ditching buckets)
- ● ● Centralized lubrication system
- ● ● Dirt seals on all bucket pins
- ● ● No-boom-arm option
- ▲ ▲ ▲ Arm, 7 ft. 3 in. (2.22 m)
- ▲ ▲ ▲ Arm, 9 ft. 7 in. (2.91 m)
- ▲ ▲ ▲ Arm, 9 ft. 9 in. (2.96 m)
- ▲ ▲ ▲ Arm, 10 ft. 2 in. (3.10 m)
- ▲ ▲ ▲ Arm, 11 ft. 10 in. (3.61 m)
- ▲ ▲ ▲ Arm, 12 ft. 4 in. (3.75 m)
- ▲ ▲ ▲ Attachment quick couplers
- ▲ ▲ ▲ Boom cylinder with plumbing to main-frame for no-boom-arm option
- ▲ ▲ ▲ Buckets: Ditching / General purpose / General-purpose high capacity / Heavy duty / Heavy-duty high capacity / Severe-duty cast lip / Severe-duty plate lip / Side cutters and teeth
- ▲ ▲ ▲ Material clamps
- ▲ ▲ ▲ Super-long fronts

Operator's Station

- ● ● Adjustable independent control positions (levers-to-seat, seat-to-pedals)
- ● ● AM/FM radio
- ● ● Auto climate control/air conditioner, 20,000 Btu/hr. (5.9 kW) with heater and pressurizer
- ● ● Built-in Operator's Manual storage compartment and manual
- ● ● Cell-phone power outlet, 12 volt, 60 watt, 5 amp
- ● ● Coat hook
- ● ● Deluxe suspension cloth seat with 4-in. (100 mm) adjustable armrests
- ● ● Floor mat
- ● ● Front windshield wiper with intermittent speeds
- ● ● Gauges (illuminated): Engine coolant / Fuel
- ● ● Horn, electric
- ● ● Hourmeter, electric
- ● ● Hydraulic shutoff lever, all controls
- ● ● Hydraulic warm-up control
- ● ● Interior light
- ● ● Large cup holder

200 230 270 Operator's Station (continued)

- ● ● Machine Information Center (MIC)
 - ● ● Mode selectors (illuminated): Power modes – three / Travel modes – two with automatic shift / Work mode – one
 - ● ● Monitor system with alarm features: Auto-idle/auto-acceleration indicator light / Engine air cleaner restriction indicator light / Engine check / Engine coolant temperature indicator light with audible alarm / Engine oil pressure indicator light with audible alarm / Fluid level: Engine coolant level indicator light, engine oil level indicator light, and hydraulic oil level indicator light / Low alternator charge indicator light / Low fuel indicator light / Wiper mode indicator / Work lights on indicator / Work mode indicator
 - ▲ ▲ ▲ Monitor system with alarm features: Hydraulic oil filter restriction indicator light
 - ● ● Motion alarm with cancel switch (conforms to SAE J994)
 - ● ● Power boost switch on right control lever
 - ● ● Propel pedals and levers
 - ● ● SAE two-lever control pattern
 - ● ● Seat belt, 2 in. (51 mm), retractable
 - ▲ ▲ ▲ Seat belt, 3 in. (76 mm), non-retractable
 - ● ● Tinted glass
 - ● ● Transparent tinted overhead hatch
 - ▲ ▲ ▲ 24- to 12-volt D.C. radio converters, 10 amp
 - ▲ ▲ ▲ Alternate pilot control pattern
 - ▲ ▲ ▲ Circulation fan
 - ▲ ▲ ▲ Protection screens for cab front, rear, and side
 - ▲ ▲ ▲ Window vandal protection covers
- ### Electrical
- ● ● 45-amp alternator
 - ● ● Blade-type multi-fused circuits
 - ● ● Positive terminal battery covers
 - ▲ ▲ ▲ Cab extension wiring harness
- ### Lights
- ● ● Work lights: Halogen / One mounted on boom / One mounted on frame

Control Owning and Operating Costs

Total Repair Cost Management (TRCM) is part of John Deere's proactive, fix-before-fail strategy on machine maintenance that will help control costs, increase profits, and reduce stress. Included in this comprehensive lineup of ongoing programs and services are:

OilScan® Plus program – tells you what's going on inside *all* of your machine's major components so you'll know if there's a problem *before* you see a decline in performance. OilScan Plus oil analysis is included in most SECURE®-Extended warranty and preventive-maintenance agreements.

Component life-cycle data – gives you vital information on the projected life span of components and lets you make informed decisions on machine maintenance by telling you approximately how many hours of use you can expect from an engine, transmission, or hydraulic pump. This information can be used to preempt catastrophic downtime by servicing major components at about 80 percent of their life cycle.

Preventive Maintenance (PM) agreements – give you a fixed cost for maintaining a machine for a given period of time. They also help you avoid downtime by ensuring that critical maintenance

work gets done right and on schedule. On-site preventive maintenance service performed where and when you need it helps protect you from the expense of catastrophic failures and lets you avoid waste-disposal hassles.

SECURE-Extended warranty – gives you a fixed cost for machine repairs for a given period of time so you can effectively manage costs. Whether you work in a severe-service setting or just want to spread the risk of doing business, this is a great way to custom-fit coverage for your operation. And a SECURE-Extended contract also travels well because it's backed by John Deere and is honored by *all* Deere construction dealers.

Customer Support Advisors (CSAs) – Deere believes the CSA program lends a *personal* quality to Total Repair Cost Management. Certified CSAs have the knowledge and skills for helping make important decisions on machine maintenance and repair. Their mission is to help you implement a plan that's right for *your* business and take the burden of machine maintenance off your shoulders.



JOHN DEERE

Net engine power is with standard equipment including air cleaner, exhaust system, alternator, and cooling fan, at standard conditions per SAE J1349 and DIN 6270B, using No. 2-D fuel at 35 API gravity. No derating is required up to 10,000-ft. (3050 m) altitude. Gross power is without cooling fan.

Specifications and design subject to change without notice. Wherever applicable, specifications are in accordance with PCSA and SAE standards. Except where otherwise noted, these specifications are based on units with 32-in. (800 mm) triple semi-grouser shoes; full fuel tanks; and 175-lb. (79 kg) operators; 200C LC unit with 9-ft. 7-in. (2.91 m) arm, 42-in. (1065 mm) 1.12-cu. yd. (0.86 m³) bucket, and 10,270-lb. (4658 kg) counterweight; 230C LC unit with 11-ft. 10 in. (3.61 m) arm, 42-in. (1065 mm) 1.38-cu. yd. (1.06 m³) bucket, and 11,265-lb. (5110 kg) counterweight; and 270C LC unit with 12-ft. 4-in. (3.75 m) arm, 42-in. (1065 mm) 1.75-cu. yd. (1.34 m³) bucket, and 13,468-lb. (6109 kg) counterweight.

