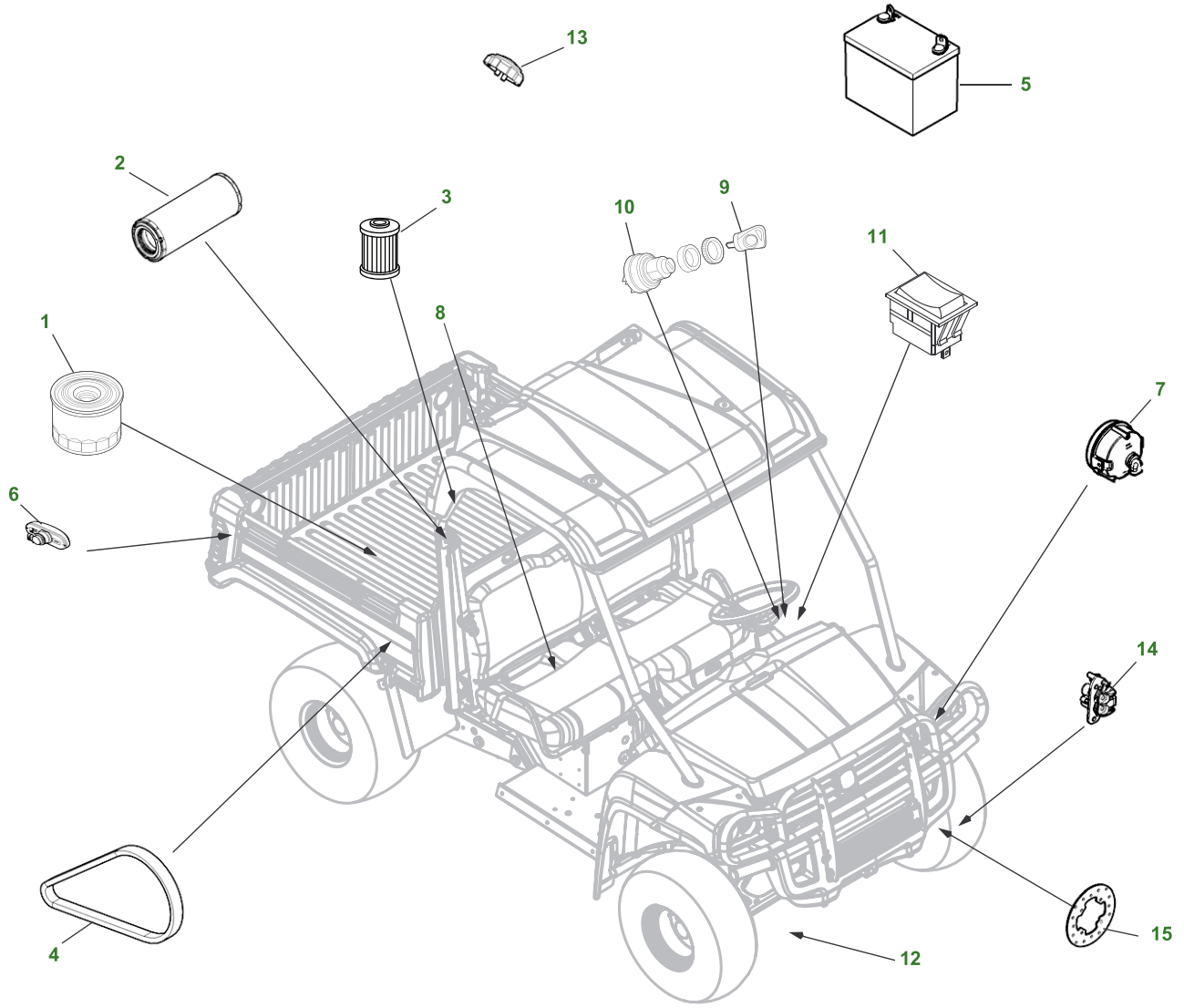


Gator HPX815E (Green & Yellow)



16

Gator HPX815E (Green & Yellow)

Key	Part No.	Description	Key	Part No.	Description
1	M806418	OIL FILTER	12	M178664	TIRE - FRONT - 24X9.5-10 ALL PURPOSE
2	M123378	AIR FILTER - PRIMARY		M178665	TIRE - REAR - 24X10.5-10 ALL PURPOSE
	M113621	AIR FILTER - SECONDARY		M178666	TIRE - FRONT - 24X9.5-10 AGGRESSIVE
3	M801101	FUEL FILTER ELEMENT		M178667	TIRE - REAR - 24X12-10 AGGRESSIVE
4	UC14244	BELT-DRIVE		M178662	TIRE - FRONT - 24X9.5-10 TURF
5	TY25881	BATTERY		M178663	TIRE - REAR - 24X12-10 TURF
6	R133302	STOP LIGHT	13	AM146278	FILLER CAP
7	AM144798	HEADLIGHT	14	AUC13924	DISK BRAKE CALIPER ASSY - FRONT
8	AM140623	SEAT BACK - YELLOW		AUC11301	DISK BRAKE CALIPER ASSY - R REAR
	AM140624	SEAT BENCH - YELLOW		AUC11302	DISK BRAKE CALIPER ASSY - L REAR
	VG11696	SEAT - YELLOW		AM141182	BRAKE PAD KIT
9	TCA24616	KEY	15	AM142950	ROTOR - FRONT
10	AUC12631	IGNITION SWITCH		AM135647	ROTOR - REAR
11	AM147340	ROCKER SWITCH - HEADLIGHT	16	LG260	HOME MAINTENANCE KIT

Parts Needed in First 250 Hours of Operation

Qty	Part No.	Item	Capacity	Interval In Hours
1	M806418	Engine Oil Filter		200
3	TY26674	Plus-50 II Engine Oil 15W40	2.2 L (2.3 qt)	200
1	M801101	Fuel Filter		200
3	TY24416	John Deere Multi-Purpose HD Lithium Complex Grease		As Needed

Capacities

Engine Oil Capacity (with filter change)	2.2 L (2.3 qt)
4WD Front Differential	150 mL (5 oz)
Transaxle	4.5 L (4.8 qt)
Cooling System (including recovery tank)	5.0 L (5.2 qt)
TY26183	Grease Gun