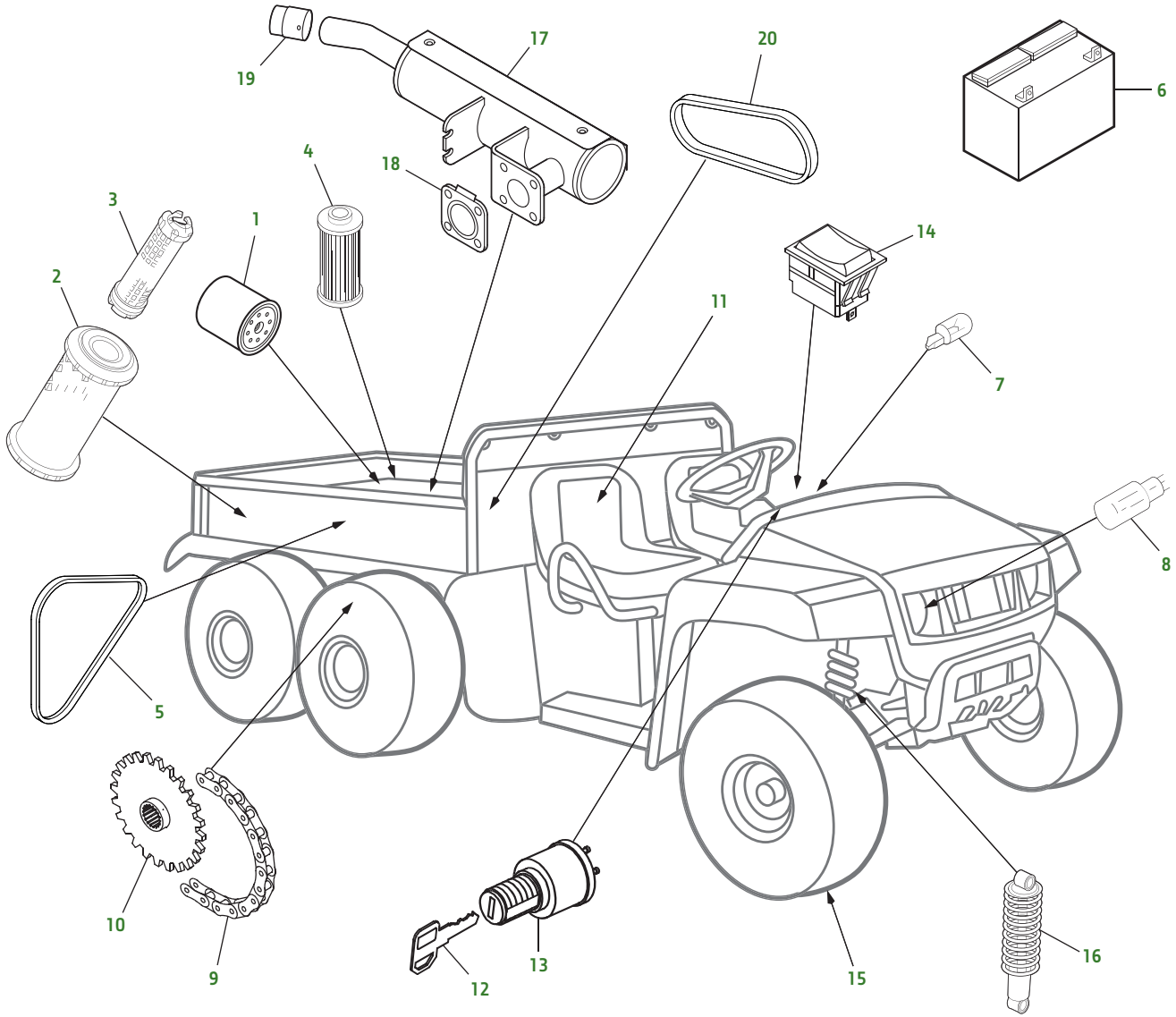


Gator TH 6X4 Diesel



Gator TH 6X4 Diesel

Key	Part No.	Description	Key	Part No.	Description
1	M806418	OIL FILTER - ENGINE	15	M138664	TIRE - FRONT - ALL PURPOSE — 22.5 X 10-8 in. †
2	M113621	AIR FILTER - STANDARD - PRIMARY		M170693	TIRE - FRONT - ALL PURPOSE — 22.5 X 10-8 in. ‡
3	M123378	AIR FILTER - STANDARD - SECONDARY		M170694	TIRE - FRONT - TURF — 22.5 X 10-8 in. ‡
4	M801101	FUEL FILTER USE W/ MIA883607		R90798	TIRE - FRONT - KNOBBY — 22.5 X 10-8 in. †
	MIU804763	FUEL FILTER USE W/ MIA884997		M170695	TIRE - FRONT - KNOBBY — 22.5 X 10-8 in. ‡
5	MIU800681	BELT - FAN		M170696	TIRE - REAR - ALL PURPOSE — 25 X 13-9 in. ‡
6	TY25221	BATTERY - DRY		M171009	TIRE - REAR - TURF — 25 X 12-9 in. ‡
7	AR62407	BULB - DASH		R90796	TIRE - REAR - KNOBBY — 25 X 12-9 in. †
8	AM118013	BULB - HEADLIGHT		M170697	TIRE - REAR - KNOBBY — 25 X 12-9 in. ‡
9	M152672	ROLLER CHAIN (1 PER SIDE)	16	AM130448	SPRING/SHOCK ABSORBER
10	M175264	SPROCKET		AM129514	SPRING/SHOCK ABSORBER - HEAVY DUTY
11	VG11696	SEAT (S/N 100000)	17	BM26245	MUFFLER
	AM140211	SEAT (S/N 100001-)	18	M811809	GASKET
12	AM131841	KEY	19	AM115838	ARRESTOR
13	TCA22740	SWITCH - IGNITION	20	M174026	BELT-DRIVE
14	AM117324	SWITCH - LIGHT	21	LG260	HOME MAINTENANCE KIT

† CARLISLE TIRES
‡ WANDA TIRES

Parts Needed in First 250 Hours of Operation

Qty	Part No.	Item	Capacity	Interval In Hours
2	M806418	Engine Oil Filter		50/200
5	TY26674	Engine Oil Plus-50™ II 15W40	2.2 L (2.3 qt)	50/200
1	M801101	Fuel Filter Use W/ MIA883607		200
1	MIU804763	Fuel Filter Use W/ MIA884997		200
1	M113621	Air Filter - Standard - Primary		200
1	M123378	Air Filter - Standard - Secondary		200
1	TY6341	Multi - Purpose SD Polyurea Grease	0.41 L (0.10 gal)	As Needed

Frequently Used Items

Qty	Part No.	Item
1	M174026	Belt - Drive
1	MIU800681	Belt - Fan
1	AM131841	Key
1	AM146278	FILLER CAP
1	TY26518	Grease Gun