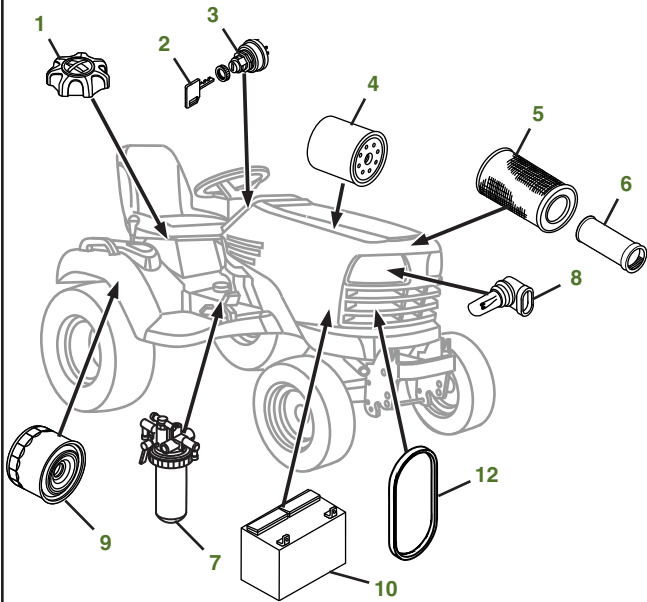
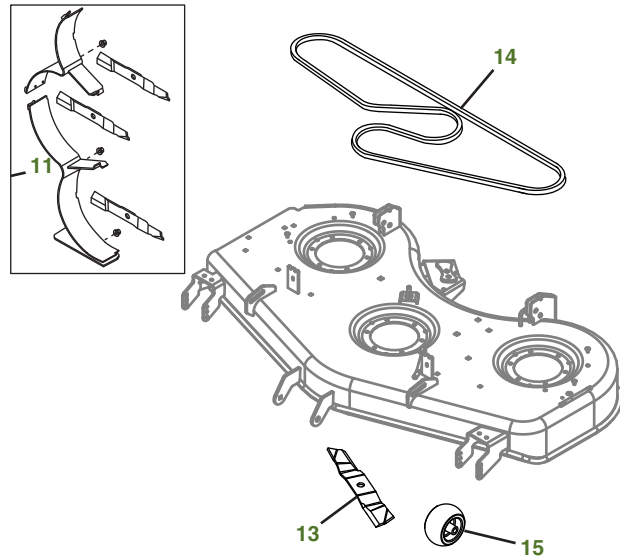


# MAINTENANCE REMINDER SHEET

## X754 with 54" High Capacity Deck



Tractor S/N



Deck S/N

Key	Part No.	Description
1	<a href="#">AM123508</a>	FUEL CAP (S/N -020000)
	<a href="#">AM144789</a>	FUEL CAP (S/N 020001-)
2	<a href="#">GY20680</a>	KEY
3	<a href="#">AM133596</a>	IGNITION SWITCH
4	<a href="#">M806418</a>	ENGINE OIL FILTER
5	<a href="#">M113621</a>	ENGINE AIR FILTER-PRIMARY
6	<a href="#">M123378</a>	ENGINE AIR FILTER-SECONDARY
7	<a href="#">M801101</a>	FUEL FILTER
8	<a href="#">AM118013</a>	HEADLIGHT BULB
9	<a href="#">AM131054</a>	TRANSAXLE FILTER

Key	Part No.	Description
10	<a href="#">TY25876</a>	BATTERY - DRY CHARGED
11	<a href="#">BM23977</a>	MULCH KIT - 54C DECK (S/N -030000)
	<a href="#">BM26300</a>	KIT - MULCHCONTROL™ (S/N 030001-)
12	<a href="#">MIU800108</a>	FAN BELT (S/N -040000)
	<a href="#">MIU800639</a>	FAN BELT (S/N 040001-)
13	<a href="#">M164016</a>	BLADE - STANDARD 54"
	<a href="#">M135334</a>	BLADE - MULCHING 54"
14	<a href="#">M165156</a>	BELT
15	<a href="#">TCU18744</a>	GAGE WHEEL (S/N -050000)
	<a href="#">AM148120</a>	GAGE WHEEL (S.N 050001-)

### Parts Needed in First 200 Hours of Operation

Qty	Part No	Item	Qty or Capacity	Change Interval In Hours
7	<a href="#">TY26674</a>	John Deere PLUS-50™ II 15W-40 Oil	3.2 L (3.4 qt)	50/200
2	<a href="#">M806418</a>	Engine Oil Filter	1	50/200
12	<a href="#">TY22035</a>	Low Viscosity Hy-Gard™	5.6 L (6 qt)	50/200
2	<a href="#">AM131054</a>	Transaxle Filter	1	50/200
1	<a href="#">M801101</a>	Fuel Filter	1	200
1	<a href="#">M113621</a>	Engine Air Filter-Primary	1	200
1	<a href="#">M123378</a>	Engine Air Filter-Secondary	1	200
1	<a href="#">TY24416</a>	John Deere Multi-Purpose HD Lithium Complex Grease		As Needed

### "As Needed" Parts

Qty	Part No	Item
1	<a href="#">AM136872</a>	Mower Deck Leveling Gauge
1	<a href="#">TY26288</a>	Grease Gun

### Home Maintenance Kit

Unit	Kit Number
X754	<a href="#">LG260</a>

CLICK PART NUMBER TO BUY