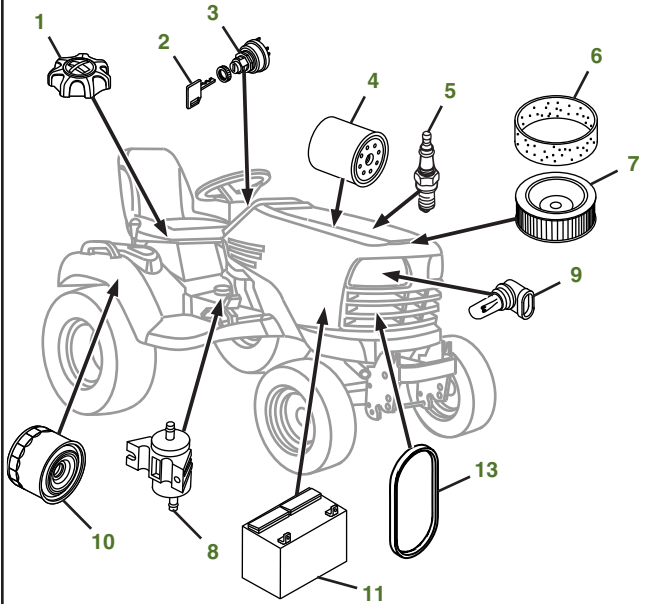
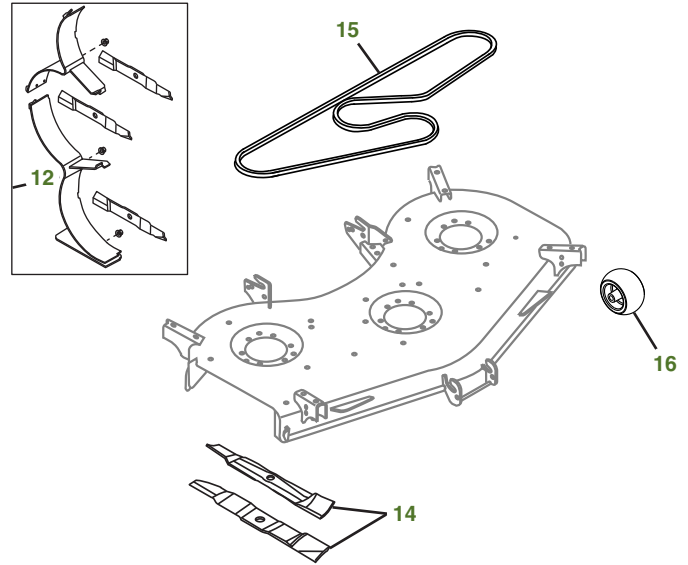


MAINTENANCE REMINDER SHEET

X739 with 60" High Capacity Deck



Tractor S/N



Deck S/N

Key	Part No.	Description	Key	Part No.	Description
1	AM141406	FUEL CAP	12	BM23978	MULCH KIT - 60 HC DECK (S/N -030000)
2	GY20680	KEY		BM25258	KIT - MULCHCONTROL™ (S/N 030001-)
3	AM133596	IGNITION SWITCH	13	M97340	FAN BELT USE WITH ENGINE MARKED FD750D-KS12, FD750D-MS12 OR FD750D-NS12
4	AM107423	ENGINE OIL FILTER		M147344	FAN BELT USE WITH ENGINE MARKED FD750D-HS12 OR FD750D-JS12
5	M138938	SPARK PLUG	14	M163983	BLADE - STANDARD 60"
6	M148207	ENGINE AIR FILTER-FOAM		M168223	BLADE - MULCHING 60"
7	M152049	ENGINE AIR FILTER-PAPER	15	M163993	BELT (S/N -070000)
8	AM117584	FUEL FILTER		M178695	BELT (S/N 070001-)
9	AM118013	HEADLIGHT BULB	16	TCU18744	GAGE WHEEL (S/N -050000)
10	AM131054	TRANSAXLE FILTER		AM148120	GAGE WHEEL (S/N 050001-)
11	TY25221	BATTERY - DRY CHARGED			
	TY25221A	BATTERY - WET CHARGED			

Parts Needed in First 200 Hours of Operation

Qty	Part No	Item	Qty or Capacity	Change Interval In Hours
6	TY26669	John Deere PLUS-50™ II 10W-30 Oil	1.8 L (1.9 qt)	8/100/200
3	AM107423	Engine Oil Filter	1	8/100/200
19	TY22035	1 qt Low Viscosity Hy-Gard™	6.8 L (9.12 qt)	50/200
2	AM131054	Transaxle Filter	1	50/200
1	AM117584	Fuel Filter	1	200
2	M138938	Spark Plug	2	200
1	M148207	Engine Air Filter-Foam	1	200
1	M152049	Engine Air Filter-Paper	1	200
1	TY24416	John Deere Multi-Purpose HD Lithium Complex Grease		As Needed

"As Needed" Parts

Qty	Part No	Item
1	AM136872	Mower Deck Leveling Gauge
1	TY26288	Grease Gun

Home Maintenance Kit

Unit	Kit Number
X739	LG244

CLICK PART NUMBER TO BUY