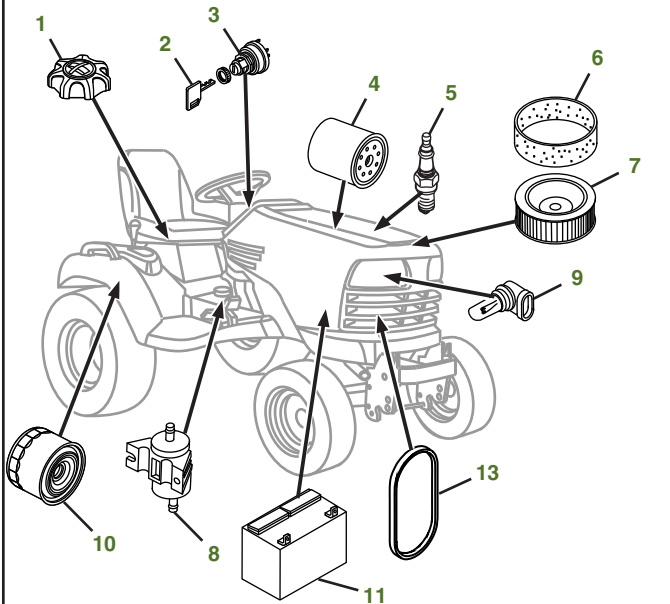
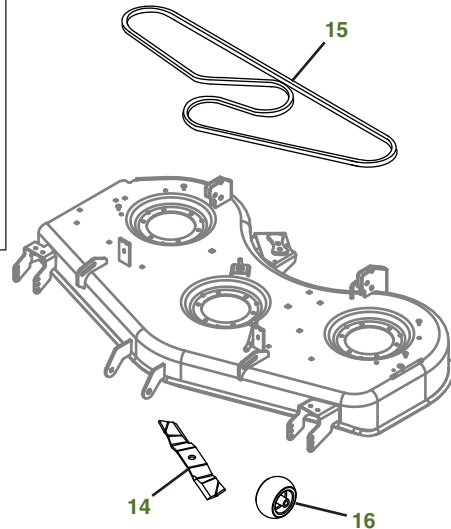
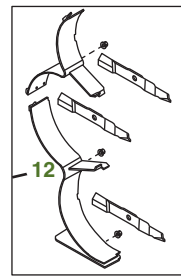


# MAINTENANCE REMINDER SHEET

## X739 with 54" High Capacity Deck



Tractor S/N



Deck S/N

Key	Part No.	Description	Key	Part No.	Description
1	<a href="#">AM141406</a>	FUEL CAP	11	<a href="#">TY25221</a>	BATTERY - DRY CHARGED
2	<a href="#">GY20680</a>	KEY		<a href="#">TY25221A</a>	BATTERY - WET CHARGED
3	<a href="#">AM133596</a>	IGNITION SWITCH	12	<a href="#">BM23977</a>	MULCH KIT - 54 HC DECK (S/N -030000)
4	<a href="#">AM107423</a>	ENGINE OIL FILTER		<a href="#">BM26300</a>	KIT - MULCHCONTROL™ (S/N 030001-)
5	<a href="#">M138938</a>	SPARK PLUG	13	<a href="#">M97340</a>	FAN BELT USE WITH ENGINE MARKED FD750D-KS12, FD750D-MS12 OR FD750D-NS12
6	<a href="#">M148207</a>	ENGINE AIR FILTER-FOAM		<a href="#">M147344</a>	FAN BELT USE WITH ENGINE MARKED FD750D-HS12 OR FD750D-JS12
7	<a href="#">M152049</a>	ENGINE AIR FILTER-PAPER	14	<a href="#">M164016</a>	BLADE - STANDARD 54"
8	<a href="#">AM117584</a>	FUEL FILTER		<a href="#">M135334</a>	BLADE - MULCHING 54"
9	<a href="#">AM118013</a>	HEADLIGHT BULB	15	<a href="#">M165156</a>	BELT
10	<a href="#">AM131054</a>	TRANSAXLE FILTER	16	<a href="#">TCU18744</a>	GAGE WHEEL (S/N -050000)
				<a href="#">AM148120</a>	GAGE WHEEL KIT (S.N 050001-)

### Parts Needed in First 200 Hours of Operation

Qty	Part No	Item	Qty or Capacity	Change Interval In Hours
6	<a href="#">TY22029</a>	Engine Oil Turf-Gard™ 10W-30	1.8 L (1.9 qt)	8/100/200
3	<a href="#">AM107423</a>	Engine Oil Filter	1	8/100/200
19	<a href="#">TY22035</a>	Low Viscosity Hy-Gard™	7.2 L (9.12 qt)	50/200
2	<a href="#">AM131054</a>	Transaxle Filter	1	50/200
1	<a href="#">AM117584</a>	Fuel Filter	1	200
2	<a href="#">M138938</a>	Spark Plug	2	200
1	<a href="#">M148207</a>	Engine Air Filter-Foam	1	200
1	<a href="#">M152049</a>	Engine Air Filter-Paper	1	200
1	<a href="#">TY24416</a>	John Deere Multi-Purpose HD Lithium Complex Grease		As Needed

### "As Needed" Parts

Qty	Part No	Item
1	<a href="#">AM136872</a>	Mower Deck Leveling Gauge
1	<a href="#">TY26288</a>	Grease Gun

### Home Maintenance Kit

Unit	Kit Number
X739	<a href="#">LG244</a>

CLICK PART NUMBER TO BUY