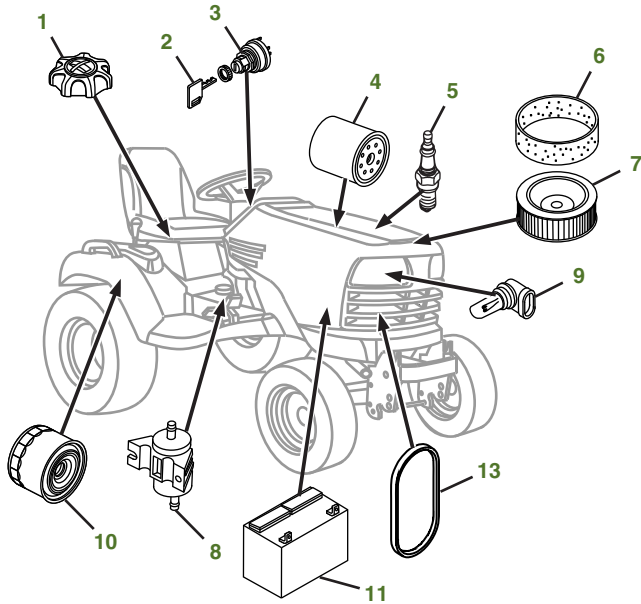
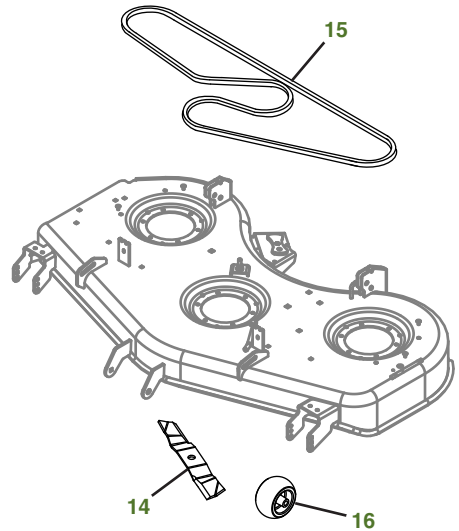
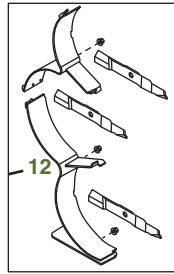


MAINTENANCE REMINDER SHEET

X734 with 54" High Capacity Deck



Tractor S/N



Deck S/N

Key	Part No.	Description	Key	Part No.	Description
1	AM141406	FUEL CAP	12	BM23977	MULCH KIT - 54 HC DECK (S/N -030000)
2	GY20680	KEY		BM26300	KIT - MULCHCONTROL™ (S/N 030001-)
3	AM133596	IGNITION SWITCH	13	M97340	FAN BELT USE WITH ENGINE MARKED FD750D-KS12 OR FD750D-NS12 OR FD750D-MS12
4	AM107423	ENGINE OIL FILTER		M147344	FAN BELT USE WITH ENGINE MARKED FD750D-HS12 OR FD750D-JS12
5	M138938	SPARK PLUG	14	M164016	BLADE - STANDARD 54"
6	M148207	ENGINE AIR FILTER-FOAM		M135334	BLADE - MULCHING 54"
7	M152049	ENGINE AIR FILTER-PAPER	15	M165156	BELT
8	AM117584	FUEL FILTER	16	TCU18744	GAGE WHEEL (S/N -050000)
9	AM118013	HEADLIGHT BULB		AM148120	GAGE WHEEL KIT (S/N 050001-)
10	AM131054	TRANSAXLE FILTER			
11	TY25221	BATTERY - DRY CHARGED			
	TY25221A	BATTERY - WET CHARGED			

Parts Needed in First 200 Hours of Operation

Qty	Part No	Item	Qty or Capacity	Change Interval In Hours
6	TY22029	Engine Oil Turf-Gard™ 10W-30	1.8 L (1.9 qt)	8/100/200
3	AM107423	Engine Oil Filter	1	8/100/200
12	TY22035	Low Viscosity Hy-Gard™	5.6 L (6 qt)	50/200
2	AM131054	Transaxle Filter	1	50/200
1	AM117584	Fuel Filter	1	200
2	M138938	Spark Plug	2	200
1	M148207	Engine Air Filter-Foam	1	200
1	M152049	Engine Air Filter-Paper	1	200
1	TY24416	John Deere Multi-Purpose HD Lithium Complex Grease		As Needed

"As Needed" Parts

Qty	Part No	Item
1	AM136872	Mower Deck Leveling Gauge
1	TY26288	Grease Gun

Home Maintenance Kit

Unit	Kit Number
X734	LG244

CLICK PART NUMBER TO BUY