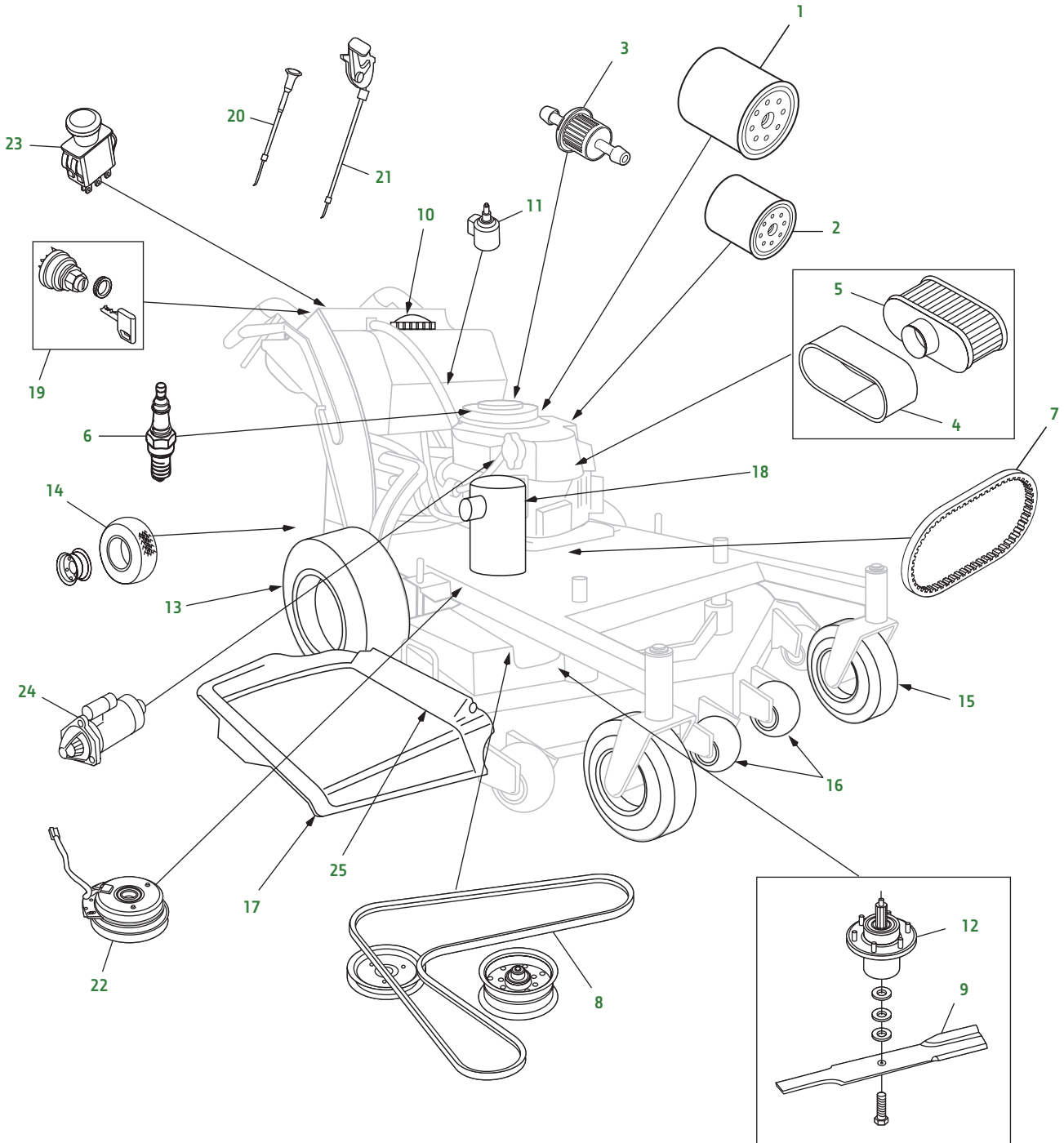


WH36A / WH48A / WH52A / WH61A / WHP36A / WHP48A / WHP52A / WHP61A



WH36A / WH48A / WH52A / WH61A / WHP36A / WHP48A / WHP52A / WHP61A

Key	Part No	Description	Key	Part No	Description
1	AM125424	ENGINE OIL FILTER	15	TCA22217	TIRE & WHEEL ASSEMBLY - CASTER
2	M131053	FILTER - HYDRO	16	TCU18744	GAGE WHEEL (4) - 48 in., 52 in. & 61 in.
3	AM116304	FUEL FILTER	17	TCA16388	DISCHARGE CHUTE - INCLUDES LABELS - 36 in., 48 in. & 52 in.
4	MIU12554	AIR FILTER - FOAM		TCA24830	DISCHARGE CHUTE - INCLUDES LABELS - 61 in.
5	MIU12555	AIR FILTER - PAPER	18	MIA12411	MUFFLER - [36 in., 48 in. & 52 in. (S/N -050000)]
6	M805853	SPARK PLUG		TCU36138	MUFFLER - [36 in., 48 in. & 52 in. (S/N 050001-)]
7	TCU29186	V-BELT - PTO - WH36A (S/N -040000), WH48A, WH52A, WH61A, WHP48A, WHP52A, WHP61A		TCA23956	MUFFLER - 61 in.
	TCU33063	V-BELT - PTO - 36 in. (S/N 040001-), WHP36A		M136651	GASKET
8	TCA20591	V-BELT - MOWER DECK - 36 in.	19	AM119111	IGNITION SWITCH - INCLUDES KEY
	TCU29747	V-BELT - MOWER DECK - 48 in.	20	AM124624	CABLE - CHOKE - [WH36A, WH48A, & WH52A (S/N -040000)]
	TCA20749	V-BELT - MOWER DECK - 52 in.		TCA22654	CABLE - CHOKE - WHP36A & [WH36A (S/N 040001-)]
	TCU36021	V-BELT - MOWER DECK - 61 in.		TCA20550	CABLE - CHOKE - [WH48A & WH52A (S/N 040001-), WH61A, WHP48A, WHP52A, & WHP61A
9	TCU29299	BLADE - 48 in. (3)	21	TCA23210	CABLE - THROTTLE - [WH36A (S/N -040000)], 48 in., 52 in. & 61 in.
	TCU29188	BLADE - 36 in. (2) & 52 in. (3)		TCA22653	CABLE - THROTTLE - WHP36A & [WH36A (S/N 040001-)]
	GDU10232	BLADE - 61 in. (3)	22	TCA20484	PTO CLUTCH
	TCU29868	BLADE - MULCH - 48 in. (3)	23	AUC10632	PTO SWITCH - [WH36A, WH48A, WH52A (S/N -040000)]
	TCU29869	BLADE - MULCH - 36 in. (2) & 52 in. (3)		TCA22710	PTO SWITCH - [WH36A, WH48A, WH52A (S/N 40001-), WH61A, WHP36A, WHP48A, WHP52A & WHP61A
	TCU36515	BLADE - MULCH - 61 in. (3)	24	AUC12656	STARTER MOTOR
10	TCU30102	FILLER CAP - [36 in., 48 in. & 52 in. (S/N -050000)]	25	TCB11739	MULCH KIT - 36 in.
	TCU35983	FILLER CAP - [36 in., 48 in. & 52 in. (S/N 050001-)] & 61 in.		TCB11740	MULCH KIT - 48 in.
11	M149320	FUEL SOLENOID		TCB11741	MULCH KIT - 52 in.
12	TCA20480	SPINDLE		BTC10636	MULCH KIT - 61 in.
13	TCA20509	TIRE & WHEEL ASSEMBLY - 16 X 6 .5-8 - 36 in.			
	TCA20767	TIRE & WHEEL ASSEMBLY - 16 X 7.5-8 - 48 in. & 52 in.			
	TCA23909	TIRE & WHEEL ASSEMBLY - 16 X 8 .5-8 - 61 in.			
14	TCA20830	TIRE & WHEEL ASSEMBLY - SULKY - 36 in., 48 in. & 52 in.			

Parts Needed in First 250 Hours of Operation

Qty	Part No.	Item	Capacity	Interval In Hours
4	AM125424	Engine Oil Filter		10/100/200
5	TY22029	John Deere Turf-Gard™ 10W - 30 Engine Oil	1.7 L (1.8 qt) (36, 48, 52 in.)	10/100/200
7			2.1 L (2.2 qt) (61 in.)	10/100/200
1	AM116304	Fuel Filter Non - EFI Units		200
1	M131053	Hydraulic Filter		10
4	TY26674	JD Plus-50™ 15W-40	3.3 L (3.7 qt)	10
	TY24416	John Deere Multi-Purpose HD Lithium Complex Grease	0.41 L (0.10 gal)	

Capacities

Crankcase Oil Capacity (with Filter) 36, 48, 52 in.	1.7 L (10 qt)
Crankcase Oil Capacity (with Filter) 61 in.	2.1 L (2.2 qt)
Hydraulic Tank (Completely Empty)	4.7 L (5 qt)
Hydraulic Tank (Capacity of Oil Change)	3.3 L (3.7 qt)
Grease Gun	TY26518