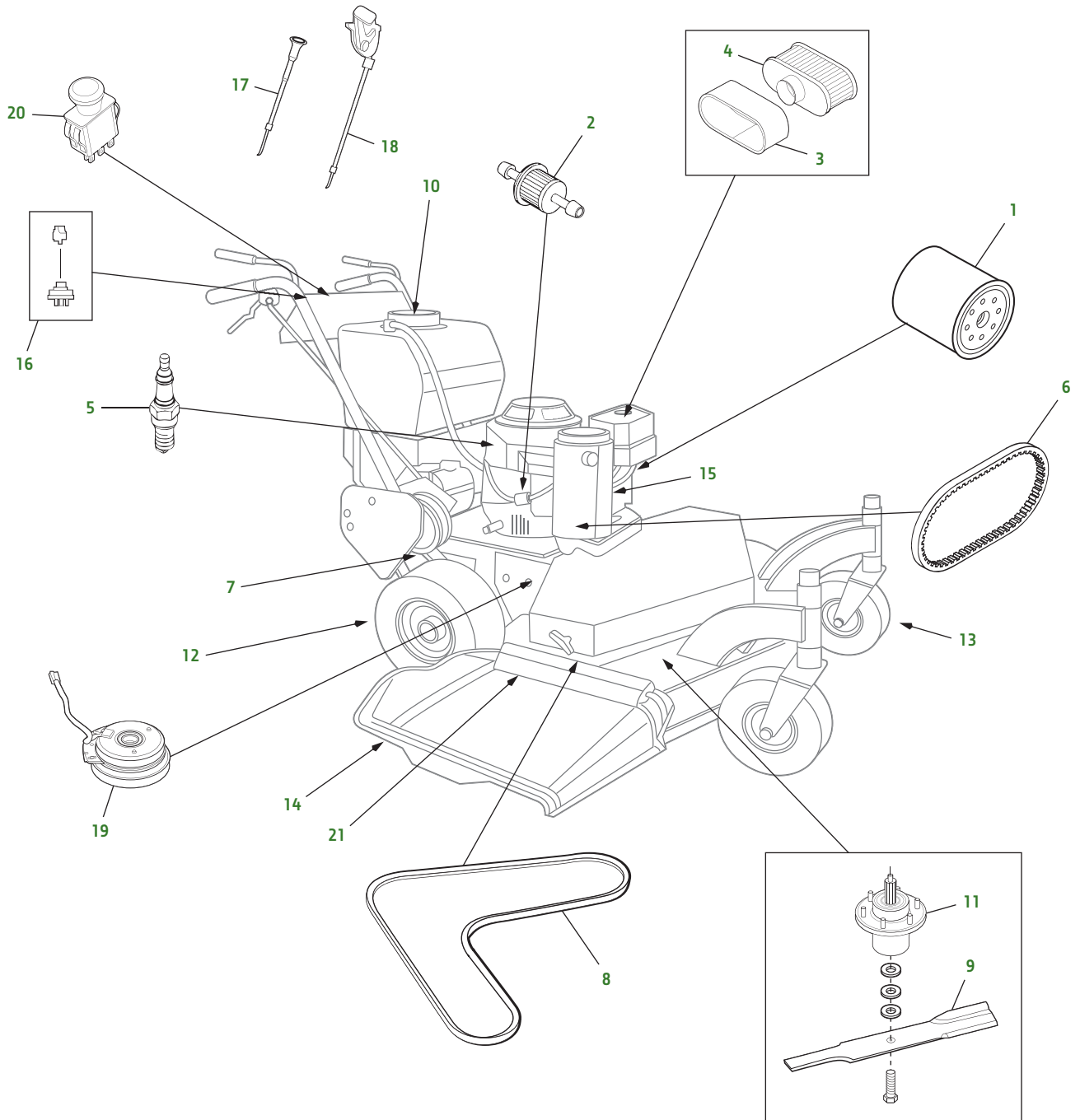


WG32A / WG36A / WG48A

Commercial Walk Behind



WG32A / WG36A / WG48A

Key	Part No.....	Description	Key	Part No.....	Description
1	AM125424	ENGINE OIL FILTER	11	TCA20480	SPINDLE - 32 in. & 36 in. (2), 48 in. (3)
2	AM116304	FUEL FILTER	12	TCA20766	TIRE & WHEEL ASSEMBLY - 6 X 4.5 - 36 in. & 48 in. (2)
3	MIU12554	AIR FILTER - FOAM		TCA20552	TIRE & WHEEL ASSEMBLY - 6 X 3.5 - 32 in. (2)
4	MIU12555	AIR FILTER - PAPER	13	TCA22217	TIRE & WHEEL ASSEMBLY - CASTER (2)
5	M805853	SPARK PLUG (2)	14	TCA16388	DISCHARGE CHUTE - INCLUDES LABELS
6	TCU29283	V-BELT - ENGINE	15	MIA12411	MUFFLER (S/N -050000)
7	TCU29752	BELT - TIRE & WHEEL DRIVE (2)		TCU36138	MUFFLER (S/N 050001-)
8	TCU29158	V-BELT - MOWER DECK - 32 in. (S/N -040000)		M136651	GASKET
	TCU33096	V-BELT - MOWER DECK - 32 in. (S/N 040001-)	16	AM38227	IGNITION SWITCH
	TCA20750	V-BELT - MOWER DECK - 36 in. (S/N -040000)		M40718	KEY
	TCU33096	V-BELT - MOWER DECK - 36 in. (S/N 040001-)	17	TCA20550	CABLE - CHOKE
	TCU29763	V-BELT - MOWER DECK - 48 in. (51.4 in. LONG) (S/N -040000)	18	TCA26178	CABLE - THROTTLE
	TCU29748	V-BELT - MOWER DECK - 48 in. (83 in. LONG) (S/N -040000)	19	TCA20484	CLUTCH
	TCU33100	V-BELT - MOWER DECK - 48 in. (S/N 040001-)	20	AUC10632	PTO SWITCH (S/N -040000)
9	TCU29299	BLADE - 32 in. (2), 48 in. (3)		TCA22710	PTO SWITCH (S/N 040001-)
	TCU29188	BLADE - 36 in. (2)	21	TCB11738	MULCH KIT - 32 in.
	TCU29868	BLADE - MULCH - 32 in. (2), 48 in. (3)		TCB11739	MULCH KIT - 36 in.
	TCU29869	BLADE - MULCH - 36 in. (2)		TCB11740	MULCH KIT - 48 in.
10	TCU30102	FILLER CAP (S/N -050000)			
	TCU35983	FILLER CAP (S/N 050001-)			

Parts Needed in First 250 Hours of Operation

Qty	Part No.	Item	Capacity	Interval In Hours
3	AM125424	Engine Oil Filter		10/100/200
6	TY22029	Turf-Gard™ 10W30 Engine Oil	1.7L (1.8 qt)	10/100/200
1	AM116304	Fuel Filter		200
	TY6341	Multi-Purpose SD Polyurea Grease (14 oz)		As Needed

Capacities

Engine Oil (with Filter)..... 1.7 L (1.8 qt)
 Grease Gun TY26518