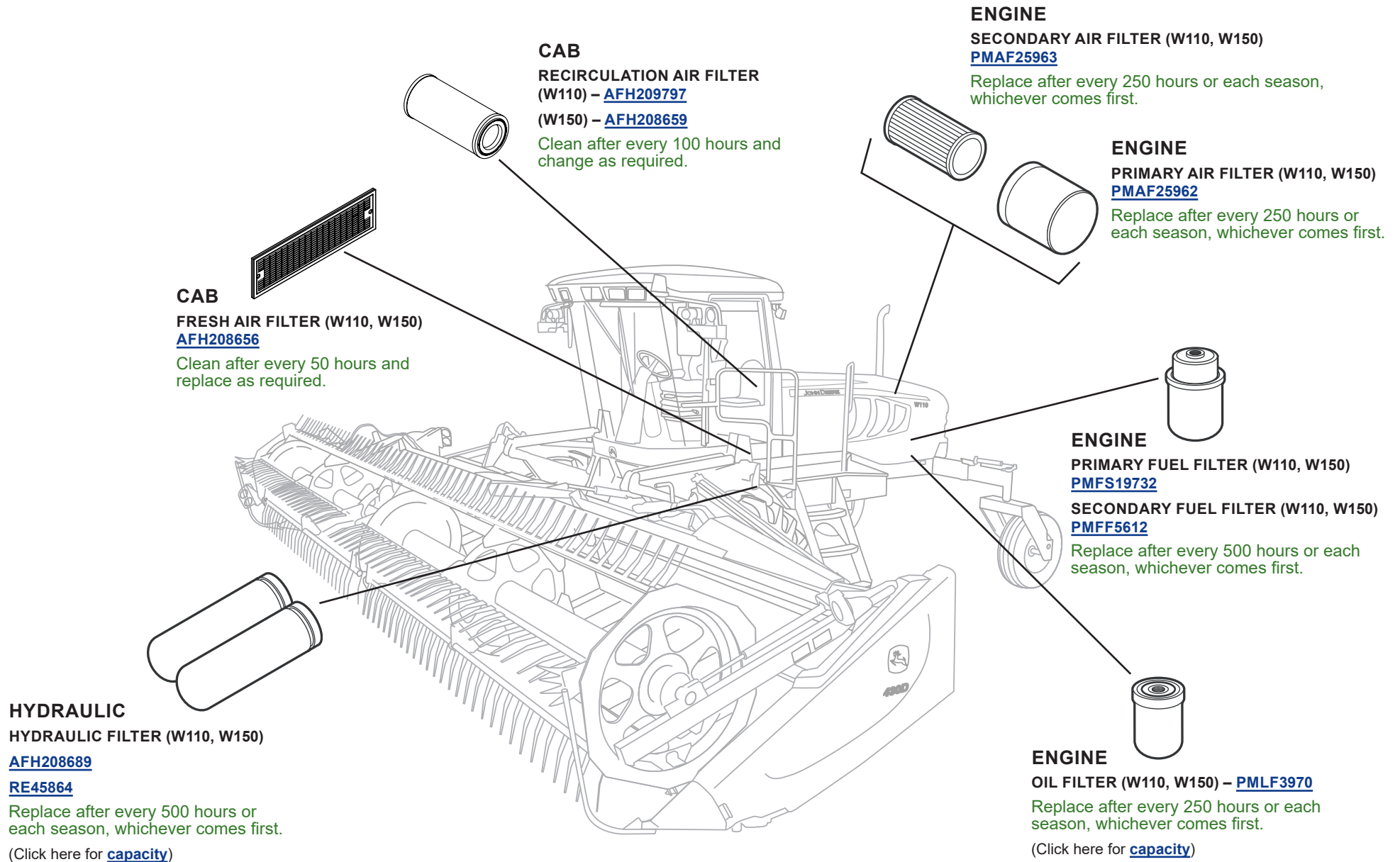


# FILTER OVERVIEW WITH SERVICE INTERVALS AND CAPACITIES

## W110/W150 Windrowers



# CAPACITIES

## W110/W150 Windrowers

### CAPACITIES (Approximate):

#### Fuel Tank:

W110-W150 ..... 367 L (97 gal)

#### Cooling System:

##### Cool-Gard™ II

W110 ..... 25 L (6.6 gal)

W150 ..... 24 L (6.3 gal)

#### Engine Oil with Filter:

##### Plus-50™ II

W110-W150 ..... 11.9 L (3.14 gal)

#### Hydraulic System (Reservoir):

##### Hy-Gard™

W110 ..... 44 L (11.62 gal)

W150 ..... 65 L (17.2 gal)

#### Final Drives Each:

GL-5 85W-140, Before Initial Change

GL-5 Fully Synthetic Gear Lubricant 75W-90, After Initial Change

W110-W150 ..... 1.4 L (0.36 gal)

#### Pump Drive Gear Case:

GL-5 Fully Synthetic Gear Lubricant 75W-90

W110-W150 ..... 2.1 L (0.55 gal)

[Return to Filter Overview](#)

