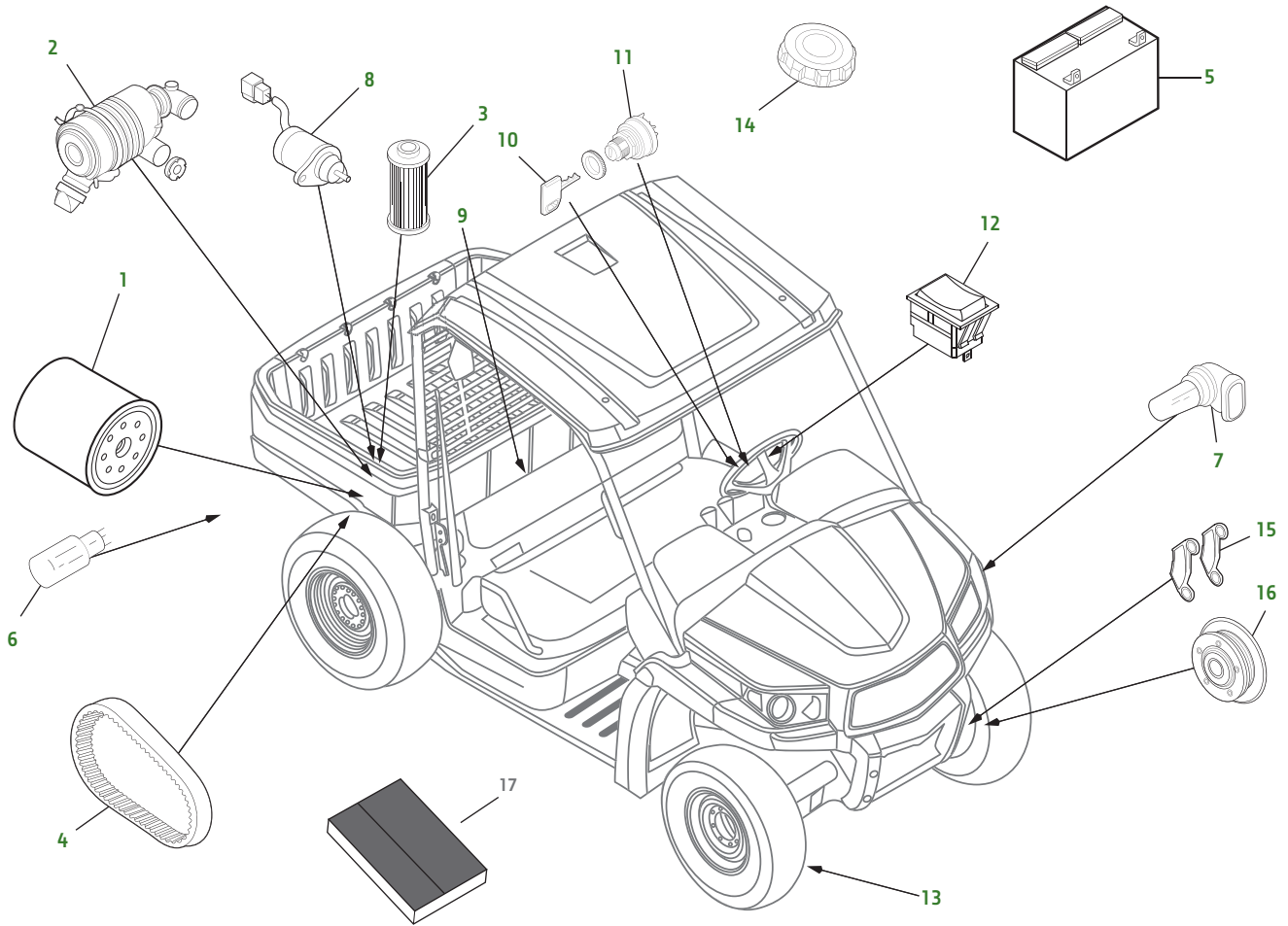


# Gator XUV865E, XUV865M, XUV865R 4X4



## Gator XUV865E, XUV865M, XUV865R 4X4

| Key | Part No.                  | Description                    | Key | Part No.                 | Description                       |
|-----|---------------------------|--------------------------------|-----|--------------------------|-----------------------------------|
| 1   | <a href="#">M806418</a>   | OIL FILTER                     | 10  | <a href="#">AUC12681</a> | KEY                               |
| 2   | <a href="#">M113621</a>   | AIR FILTER ELEMENT - PRIMARY   | 11  | <a href="#">TCA22740</a> | IGNITION SWITCH (S/N -020000)     |
|     | <a href="#">M123378</a>   | AIR FILTER ELEMENT - SECONDARY |     | <a href="#">AUC12631</a> | IGNITION SWITCH (S/N -020001)     |
| 3   | <a href="#">M801101</a>   | FUEL FILTER ELEMENT            | 12  | <a href="#">AM147340</a> | ROCKER SWITCH - HEADLIGHT         |
| 4   | <a href="#">M174096</a>   | BELT - DRIVE                   | 13  | <a href="#">M177842</a>  | TIRE - FRONT — 26 X 9-12 in       |
|     | <a href="#">MIU800679</a> | BELT - FAN, XUV865E, XUV865M   |     | <a href="#">M177843</a>  | TIRE - REAR — 26 X 11-12 in       |
|     | <a href="#">M177204</a>   | BELT - FAN, XUV865R            |     | <a href="#">M177846</a>  | TIRE - FRONT - 6 PLY 25 X 9-12 in |
| 5   | <a href="#">TY25881</a>   | BATTERY                        |     | <a href="#">M177847</a>  | TIRE - REAR - 6 PLY 25 X 11-12 in |
| 6   | <a href="#">R133302</a>   | BULB - BRAKE LIGHT             |     | <a href="#">M177844</a>  | TIRE - REAR — 27 X 9-14 in        |
| 7   | <a href="#">AXE16948</a>  | BULB HEADLIGHT - XUV835E/M     |     | <a href="#">M177845</a>  | TIRE - REAR — 27 X 11-14 in       |
|     | <a href="#">AM146908</a>  | BULB HEADLIGHT - LED XUV835R   | 14  | <a href="#">AM147815</a> | FILLER CAP                        |
| 8   | <a href="#">M806808</a>   | FUEL SHUTOFF SOLENOID          | 15  | <a href="#">AM147009</a> | BRAKE PAD - FRONT                 |
| 9   | <a href="#">AM146335</a>  | DRIVERS SEAT - YELLOW          |     | <a href="#">AM147010</a> | BRAKE PAD - REAR                  |
|     | <a href="#">AM146336</a>  | SEAT BOTTOM - YELLOW           | 16  | <a href="#">AM142949</a> | ROTOR                             |
|     | <a href="#">AM147196</a>  | SEAT BACK - YELLOW             | 17  | <a href="#">M177743</a>  | CABIN FILTER (HVAC)               |
|     | <a href="#">AM146640</a>  | DRIVERS SEAT - BLACK           | 18  | <a href="#">LG274</a>    | HOME MAINTENANCE KIT              |
|     | <a href="#">AM146641</a>  | SEAT BOTTOM - BLACK            |     |                          |                                   |
|     | <a href="#">AM147611</a>  | SEAT BACK - BLACK              |     |                          |                                   |
|     | <a href="#">AM138194</a>  | SEAT BUCKET - YELLOW           |     |                          |                                   |
|     | <a href="#">AM138195</a>  | SEAT BUCKET - BLACK            |     |                          |                                   |
|     | <a href="#">AM144196</a>  | SEAT - SPORT                   |     |                          |                                   |
|     | <a href="#">AM147708</a>  | DRIVERS SEAT - XUV865R         |     |                          |                                   |
|     | <a href="#">AM147707</a>  | SEAT BOTTOM - XUV865R          |     |                          |                                   |
|     | <a href="#">AM147704</a>  | SEAT BACK - XUV865R            |     |                          |                                   |

## Parts Needed in First 250 Hours of Operation

| Qty | Part No.                | Item                                     | Capacity       | Interval In Hours |
|-----|-------------------------|--|----------------|-------------------|
| 1   | <a href="#">M806418</a> | Engine Oil Filter                        |                | 200               |
| 2   | <a href="#">TY26674</a> | John Deere PLUS-50™ II 15W-40 Engine Oil | 1.7 L (1.8 qt) | 200               |
| 3   | <a href="#">TY24416</a> | Multi-Purpose HD Lithium Complex Grease  |                | As Needed         |
| 1   | <a href="#">M801101</a> | Fuel Filter                              |                | 200               |

## Capacities

|  |                  |
|--|------------------|
| Crankcase (with filter)                  | 1.7 L (1.8 qt)   |
| 4WD Front Differential                   | 0.66 L (0.7 qt)  |
| Transaxle                                | 4.1 L (4.3 qt)   |
| Cooling System (including recovery tank) | 4.9 L (5.2 qt)   |
| Brake                                    | 0.36 L (0.38 qt) |
| Park Brake                               | 0.05 L (0.05 qt) |