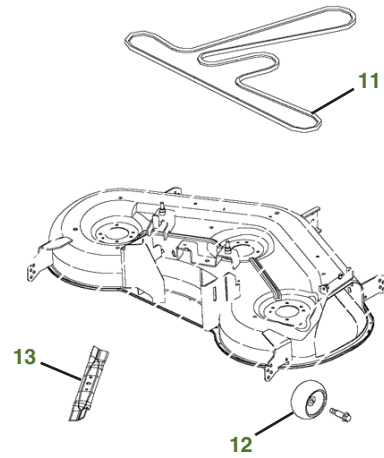
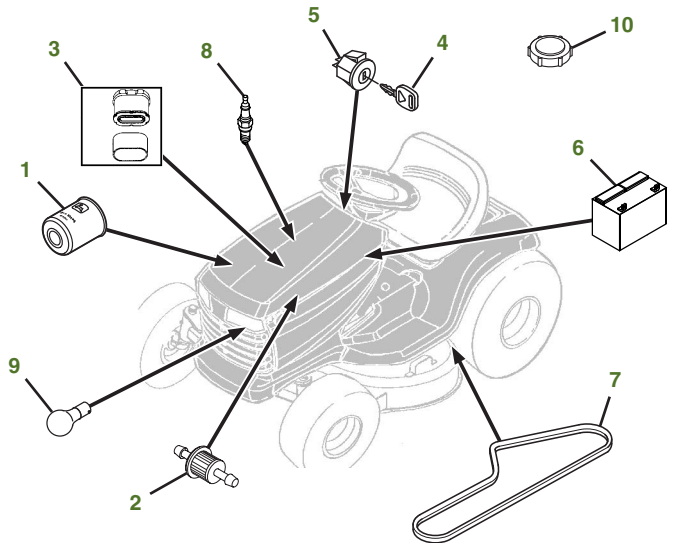


# MAINTENANCE REMINDER SHEET

## E180 with 54" Deck



Tractor S/N

Deck S/N

Key	Part No.	Description	Key	Part No.	Description
1	<a href="#">AUC12916</a>	John Deere Easy Change™ Oil System	8	<a href="#">MIU11020</a>	SPARK PLUG ENGINE MARK 44S977-0041-G1
2	<a href="#">AM116304</a>	FUEL FILTER-IN-LINE		<a href="#">UC19085</a>	SPARK PLUG ENGINE MARK 44S977-0044 -G1
3	<a href="#">MIU11515</a>	AIR FILTER-CARTRIDGE	9	<a href="#">AD2062R</a>	HEADLIGHT BULB
	<a href="#">MIU11517</a>	AIR FILTER-PRE CLEANER	10	<a href="#">AUC12860</a>	FUEL CAP
4	<a href="#">GY20680</a>	KEY	11	<a href="#">GX21395</a>	BELT-MOWER
5	<a href="#">GY20074</a>	IGNITION SWITCH	12	<a href="#">CX10168</a>	GAGE WHEEL
6	<a href="#">TY25221</a>	BATTERY	13	<a href="#">GY20684</a>	KIT-BLADE 54"
7	<a href="#">GX20006</a>	BELT-TRACTION DRIVE			

### Parts Needed in First 250 Hours of Operation

Qty	Part No	Item	Qty or Capacity	Change Interval In Hours
14	<a href="#">TY22029</a>	Engine Oil Turf-Gard™ 10W30	2.6 L(2.8 qt)	50/100/150/200/250
5	<a href="#">AUC12916</a>	John Deere Easy Change™ Oil System	1	50/100/150/200/250
5	<a href="#">MIU11515</a>	Air Filter-Cartridge	1	50/100/150/200/250
5	<a href="#">MIU11517</a>	Air Filter-Pre Cleaner	1	50/100/150/200/250
5	<a href="#">AM116304</a>	Fuel Filter-In-Line	1	50/100/150/200/250
10	<a href="#">MIU11020</a> <a href="#">UC19085</a>	Spark Plug Engine Mark 44S977-0041-G1 Spark Plug Engine Mark 44S977-0044-G1	2	50/100/150/200/250
2	<a href="#">TY24416</a>	John Deere Multi-Purpose HD Lithium Complex Grease		As Needed

### "As Needed" Parts

Qty	Part No	Item
1	<a href="#">AM130907</a>	Mower Deck Leveling Gauge
1	<a href="#">TY26518</a>	Grease Gun

### Home Maintenance Kit

Unit	Kit Number
E180	<a href="#">AUC13707</a>

CLICK PART NUMBER TO BUY