

# FILTER OVERVIEW WITH SERVICE INTERVALS AND CAPACITIES

## 9660 STS, 9760 STS and 9860 STS Series Combines

### ENGINE AIR FILTER

#### PRIMARY AIR FILTER (9660, 9760)

[AH148880](#) (9660) - Standard – Used Up To Combine Serial Number ( - 715400)

[AH164062](#) (9660, 9670) - High capacity – Used Up To Combine Serial Number ( - 715400)

[AH212294](#) (9660, 9670) – Used From Combine Serial Number(715401 - )

#### PRIMARY AIR FILTER (9860)

[AH170798](#) – Used Up To Combine Serial Number ( - 715600)

[AH212294](#) – Used From Combine Serial Number (715601 - )

Replace every 400 hours or service filters only when engine air filter light stays ON or change as required.

Note: Replace secondary filter also with primary filter.

### ENGINE OIL FILTER

#### OIL FILTER (9660, 9760)

[RE509672](#) – For Engine 6090HH005-RE528457.

For Engine 6081HH013-RG29021, 6081HH012-RG28898 From Engine Serial Number (200000 - )

#### OIL FILTER (9860)

[RE58935](#)

Replace after first 100 hours and then every 250 hours. Fill crankcase with seasonal viscosity grade oil or Torq-Gard Supreme™ (250 hours change interval). Change oil every 500 hours when using John Deere Plus-50™ II engine oil and a John Deere filter.

Note : Change oil every 100 hours if fuel contains more than 0.5 % sulfur.

### ENGINE FUEL FILTER

#### PRIMARY FUEL FILTER (9660, 9760)

[RE522687](#) – For Engine 6081HH026-RE529077, 6081HH027-RE529078.

For 6081HH013-RG29021 From Engine Serial Number (200000 - )

[RE522372](#) – For Engine 6081HH013-RG29021 From Engine Serial Number (200000 - )

For Engine 6081HH012-RG28898 Up To Engine Serial Number ( -232462 )

[RE531703](#) – For Engine 6081HH012-RG28898 From Engine Serial Number (232463- )

#### PRIMARY AND FINAL FUEL FILTER (9660, 9760)

[RE525523](#) – For Engine 6090HH005-RE528457

Replace every 500 hours.

#### PRIMARY FUEL FILTER (9860)

[RE507284](#)

Replace every 400 hours.

### ENGINE FUEL FILTER

#### PRIMARY FUEL FILTER (9660, 9760)

[R502778](#) – For Engine 6081HH013-RG29021 From Engine Serial Number (200000 - )

For Engine 6081HH012-RG28898 Up To Engine Serial Number ( -232462)

[RE522688](#) – For Engine 6081HH012-RG28898 From Engine Serial Number (232463- )

For Engine 6081HH013-RG29021 From Engine Serial Number (20000- )

For Engine 6081HH027-RE529078, 6081HH026-RE52907

Replace every 500 hours.

### ENGINE AIR FILTER

#### SECONDARY AIR FILTER (9660, 9760)

[RE63932](#) (9660) – Standard

Used Up To Combine Serial Number ( - 715400)

[AH164063](#) (9660, 9670) – High capacity

Used Up To Combine Serial Number ( - 715400)

[AH212295](#) (9660, 9670)

Used From Combine Serial Number(715401 - )

#### SECONDARY AIR FILTER (9860)

[AH174196](#)

Used Up To Combine Serial Number ( - 715600)

[AH212295](#) (9660, 9670)

Used From Combine Serial Number (715601 - )

Change secondary filter only with primary filter.

### CAB

#### AIR FILTER, HEAVY-DUTY [AH168783](#)

#### AIR FILTER, STANDARD [AH115833](#)

Clean or replace every 50 hours and as required.

### CAB FILTER

#### RECIRCULATION AIR FILTER

[AH115836](#)

9660, 9760 - Used Up To Combine Serial Number ( - 720300)

9860 - Used Up To Combine Serial Number ( -720500)

[H220870](#)

9660, 9760 - Used From Combine Serial Number (720301- )

9860 - Used From Combine Serial Number (720501- )

Clean or replace every 200 hours and as required.

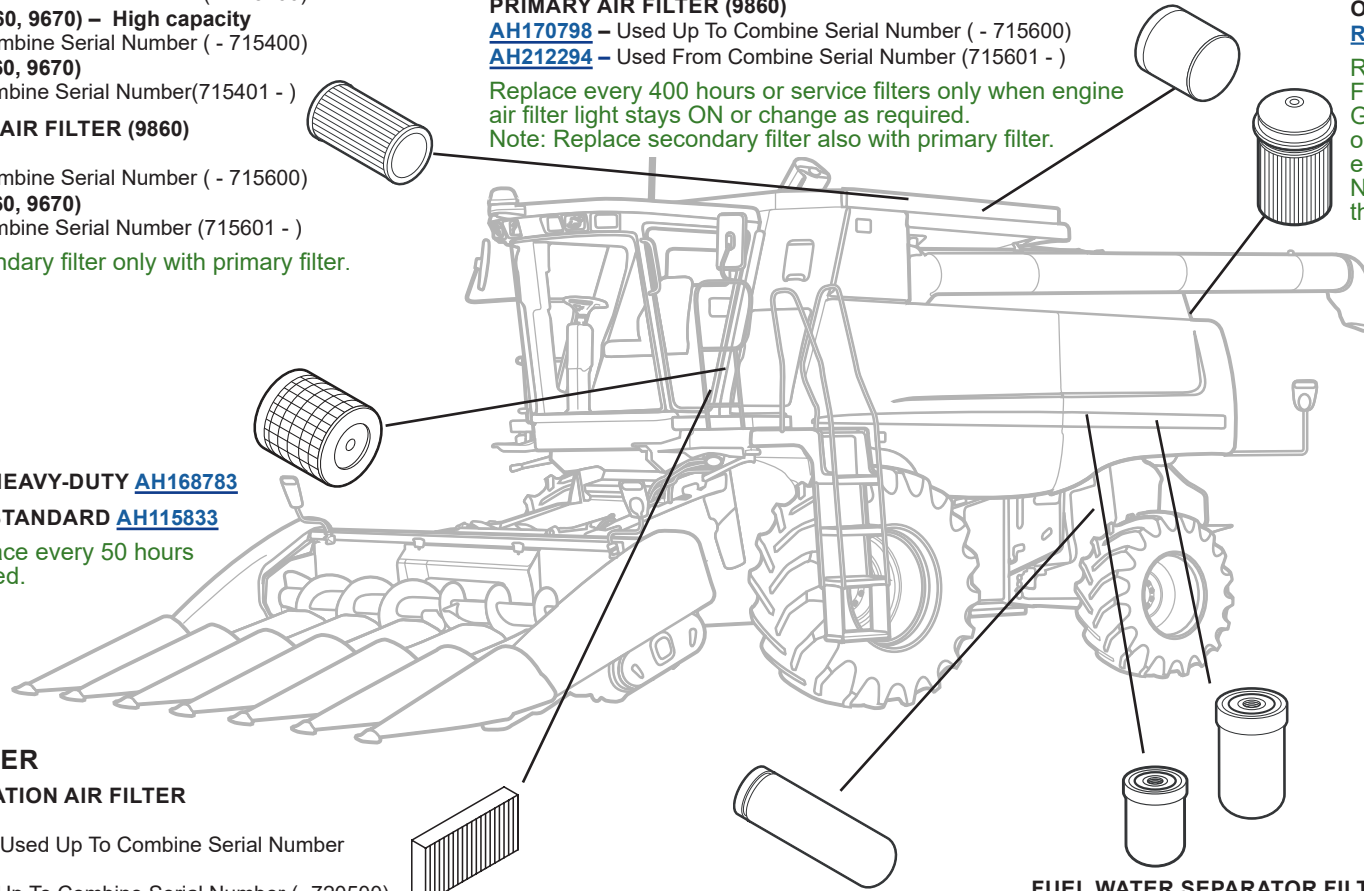
### HYDROSTATIC PUMP / ENGINE GEARCASE / MAIN HYDRAULIC FILTER

#### OIL FILTER – [AH128449](#)

Replace every 400 hours.

Note: Replace all three filters at a time.

(Click here for [capacity](#))



**JOHN DEERE**

Genuine Parts and Service

# CAPACITIES

## 9660 STS, 9760 STS and 9860 STS Series Combines

### CAPACITIES (Approximate):

#### Fuel Tank:

9660, 9760, 9860.....945 L (249.64 gal)

#### Cooling System with Heater:

##### Cool-Gard™

9660 (705501 - 715400 ), 9760 (710501- 715500 ).....45 L (11.88 gal)

9660 (715401- ) and 9760 (715501- ).....53.3 L (14.08 gal)

9860 ( -715600).....55 L (14.52 gal)

9860 (715601- ).....67.7 L (17.88 gal)

#### Engine Crankcase with Filter:

##### Torq-Gard Supreme™ or Plus-50™ II

9660 (705501 - 715400 ), 9760 (710501- 715500 ).....29.5 L (7.79 gal)

9660 (715401- ) and 9760 (715501- ) (9.0 L Engine).....29 L (7.66 gal)

9860 (715401- ) and (9760 (715501- ))(8.1 L Engine).....29.5 L (7.79 gal)

9860.....42 L (11.09 gal)

#### Transmission:

##### GL-5

9660, 9760 and 9860.....9.6 L (2.53 gal)

#### Final Drives:

##### GL-5

9660, 9760 and 9860.....8 L (2.11 gal)

#### Feeder House Reverser Gearcase without Cooler:

##### GL-5

9660, 9760 and 9860.....2.3 L (0.60 gal)

#### Feeder House Reverser High Capacity with Cooler:

##### GL-5

9660 (705501- 715400), 9760 (710501- 715500).....3.5 L (0.92 gal)

9660 (715401-), 9860 ( -715600).....3.5 L (0.92 gal)

#### Feeder House Reverser Extra Heavy Duty Gear Case with Cooler:

##### GL-5

9660 (715401- ), 9760 (715501- ), 9860.....4.9 L (1.29 gal)

#### Feeder House Reverser Extra Heavy Duty Gear Case without Cooler (Premium Small Grain):

##### GL-5

9860.....3.6 L (0.95 gal)

#### Feeder House Reverser Standard Gear Case:

##### GL-5

9860 (705701- ) .....0.9 L (0.23 gal)

#### Countershaft Drive Gearcase:

##### GL-5

9660, 9760 and 9860 .....1.2 L (0.31 gal)

#### Loading Auger Gearcase:

##### GL-5

9660, 9760 and 9860 .....3.8 L (1 gal)

#### Two Speed Separator Drive Gearcase:

##### GL-5

9660, 9760 and 9860 .....4.7 L (1.24 gal)

#### Engine Gearcase with Transfer:

##### Low Viscosity Hy-Gard™

9660, 9760 and 9860 .....21.3 L (5.62 gal)

#### Hydraulic / Hydrostatic Reservoir:

##### Low Viscosity Hy-Gard™

9660 (705501- 715400 ), 9760 (710501- 715500 ) and 9860 (-715600).....34 L (8.98 gal)

9660 (715401- ), 9760 (715501- ) and 9860 (715601- ) .....35 L (9.24 gal)

[Return to Filter Overview](#)



**JOHN DEERE**  
Genuine Parts and Service