

FILTER OVERVIEW WITH SERVICE INTERVALS AND CAPACITIES

9660 STS, 9760 STS and 9860 STS Series Combines

ENGINE AIR FILTER

SECONDARY AIR FILTER (9660, 9760)

RE63932 (9660) – STANDRAD
Used Up To Combine Serial Number (- 715400)
AH164063 (9660, 9670) – HI CAPACITY
Used Up To Combine Serial Number (- 715400)
AH212295 (9660, 9670)
Used From Combine Serial Number(715401 -)

SECONDARY AIR FILTER (9860)

AH174196
Used Up To Combine Serial Number (- 715600)
AH212295 (9660, 9670)
Used From Combine Serial Number (715601 -)

Change secondary filter only with primary filter.

CAB

AIR FILTER, HEAVY-DUTY **AH168783**

AIR FILTER, STANDARD **AH115833**

Clean or replace every 50 hours and as required.

CAB FILTER

RECIRCULATION AIR FILTER

AH115836
9660, 9760 - Used Up To Combine Serial Number (- 720300)
9860 - Used Up To Combine Serial Number (-720500)
H220870
9660, 9760 - Used From Combine Serial Number (720301-)
9860 - Used From Combine Serial Number (720501-)

Clean or replace every 200 hours and as required.

ENGINE AIR FILTER

PRIMARY AIR FILTER (9660, 9760)

AH148880 (9660) - Standard – Used Up To Combine Serial Number (- 715400)
AH164062 (9660, 9670) - Hi capacity – Used Up To Combine Serial Number (- 715400)
AH212294 (9660, 9670) – Used From Combine Serial Number(715401 -)

PRIMARY AIR FILTER (9860)

AH170798 – Used Up To Combine Serial Number (- 715600)
AH212294 – Used From Combine Serial Number (715601 -)

Replace every 400 hours or Service filters only when engine air filter light stays ON or change as required.
Note: Replace Secondary Filter also with Primary Filter

ENGINE OIL FILTER

OIL FILTER (9660, 9760)

RE509672 – For Engine 6090HH005-RE528457.
For Engine 6081HH013-RG29021, 6081HH012-RG28898
From Engine Serial Number (200000 -)

OIL FILTER (9860)

RE58935

Replace after first 100 hours and then every 250 hours. Fill crank- case with seasonal viscosity grade oil or Torq-Gard Supreme™ (250 hours change interval). If using Plus-50™ oil and a John Deere filter, the service interval can be extended by 50 percent. Example: 250 hours extends to 375 hours.
Note : Change oil every 100 hours if fuel contains more than 0.5 % sulfur.

ENGINE FUEL FILTER

PRIMARY FUEL FILTER (9660, 9760)

RE522687 – For Engine 6081HH026-RE529077, 6081HH027-RE529078.
For 6081HH013-RG29021 From Engine Serial Number (200000 -)

RE522372 – For Engine 6081HH013-RG29021 From Engine Serial Number (200000 -)
For Engine 6081HH012-RG28898 Up To Engine Serial Number (-232462)

RE531703 – For Engine 6081HH012-RG28898 From Engine Serial Number (232463-)

PRIMARY AND FINAL FUEL FILTER (9660, 9760)

RE525523 – For Engine 6090HH005-RE528457

Replace every 500 hours.

PRIMARY FUEL FILTER (9860)

RE507284

Replace every 400 hours.

ENGINE FUEL FILTER

PRIMARY FUEL FILTER (9660, 9760)

R502778 – For Engine 6081HH013-RG29021 From Engine Serial Number (200000 -)
For Engine 6081HH012-RG28898 Up To Engine Serial Number (-232462)

RE522688 – For Engine 6081HH012-RG2889 From Engine Serial Number (232463-)
For Engine 6081HH013-RG29021 From Engine Serial Number (20000-)
For Engine 6081HH027-RE529078, 6081HH026-RE52907

Replace every 500 hours.

Replace every 500 hours.

HYDROSTATIC PUMP / ENGINE GEARCASE / MAIN HYDRAULIC FILTER

OIL FILTER – **AH128449**

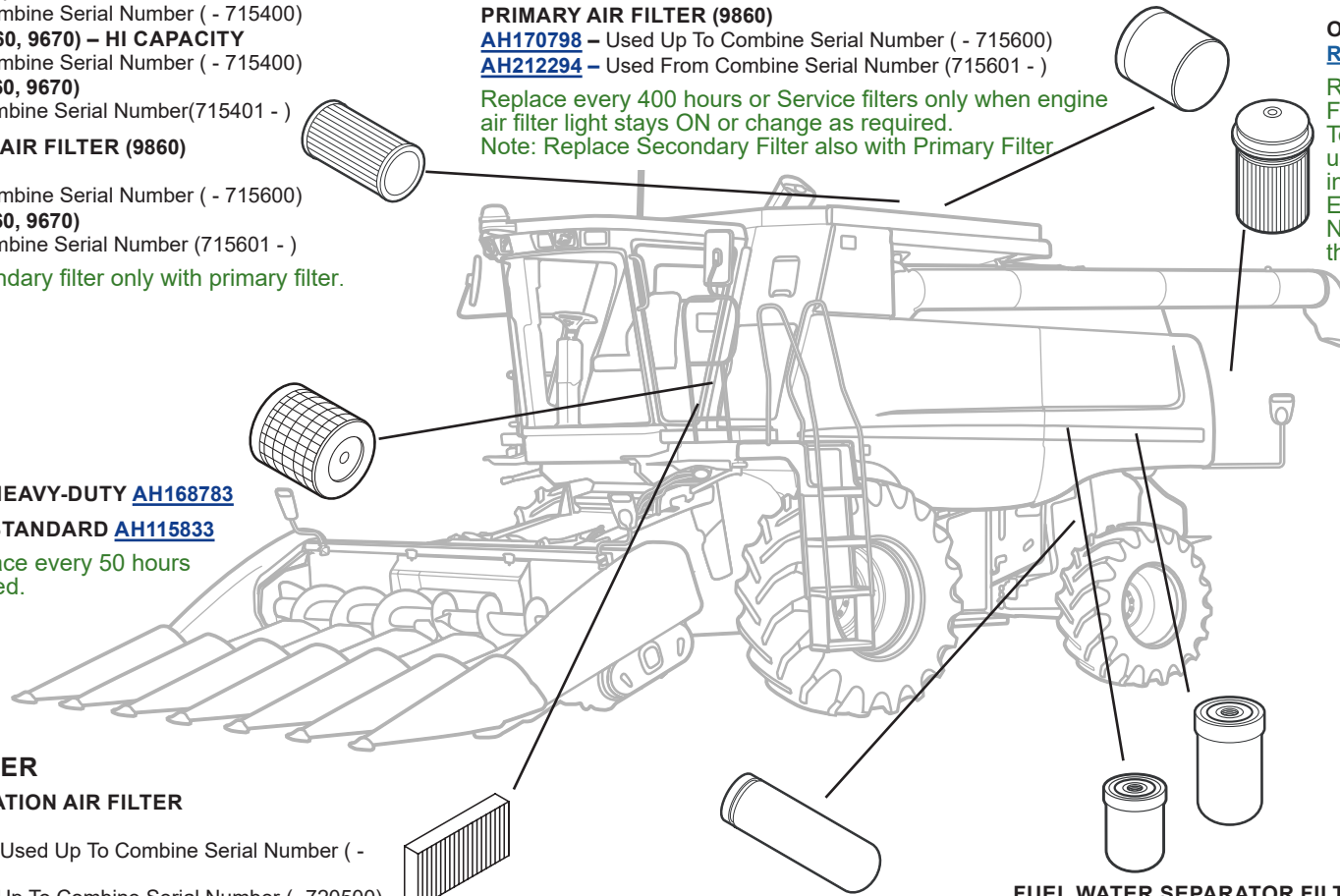
Replace every 400 hours.
Note: Replace all three filters at a time.

(Click here for [capacity](#))

FUEL WATER SEPARATOR FILTER, STANDARD

R502778 – 9660, 9760 - Used From Combine Serial Number (715401 -)
9860 - Used From Combine Serial Number (705798 -)

Replace after first 50 hours and then every 500 hours.



JOHN DEERE
Genuine Parts and Service

CAPACITIES

9660 STS, 9760 STS and 9860 STS Series Combines

CAPACITIES (Approximate):

Fuel Tank:

9660, 9760, 9860.....945 L (249.64 gal)

Cooling System With Heater:

9660 (705501 - 715400), 9760 (710501- 715500).....45 L (11.88 gal)

9660 (715401-) and 9760 (715501-).....53.3 L (14.08 gal)

9860 (-715600).....55 L (14.52 gal)

9860 (715601-).....67.7 L (17.88 gal)

Engine Crankcase With Filter:

9660 (705501 - 715400), 9760 (710501- 715500).....29.5 L (7.79 gal)

9660 (715401-) and 9760 (715501-) (9.0 L Engine).....29 L (7.66 gal)

9860 (715401-) and (9760 (715501-))(8.1 L Engine).....29.5 L (7.79 gal)

9860.....42 L (11.09 gal)

Transmission:

9660, 9760 and 9860.....9.6 L (2.53 gal)

Final Drives:

9660, 9760 and 9860.....8 L (2.11 gal)

Feeder House Reverser Gearcase without Cooler:

9660, 9760 and 9860.....2.3 L (0.60 gal)

Feeder House Reverser High Capacity with Cooler:

9660 (705501- 715400), 9760 (710501- 715500).....3.5 L (0.92 gal)

9660 (715401-), 9860 (-715600).....3.5 L (0.92 gal)

Feeder House Reverser Extra Heavy Duty Gear Case With Cooler:

9660 (715401-), 9760 (715501-), 9860.....4.9 L (1.29 gal)

Feeder House Reverser Extra Heavy Duty Gear Case Without Cooler (Premium Small Grain):

9860.....3.6 L (0.95 gal)

Feeder House Reverser Standard Gear Case:

9860 (705701-)0.9 L (0.23 gal)

Countershaft Drive Gearcase:

9660, 9760 and 98601.2 L (0.31 gal)

Loading Auger Gearcase:

9660, 9760 and 98603.8 L (1 gal)

Two Speed Separator Drive Gearcase:

9660, 9760 and 98604.7 L (1.24 gal)

Engine Gearcase with Transfer:

9660, 9760 and 986021.3 L (5.62 gal)

Hydraulic, Hydrostatic Reservoir:

9660 (705501- 715400), 9760 (710501- 715500) and 9860 (-715600).....34 L (8.98 gal)

9660 (715401-), 9860 (715601-) and 9760 (715501-)35 L (9.24 gal)

[Return to Filter Overview](#)

