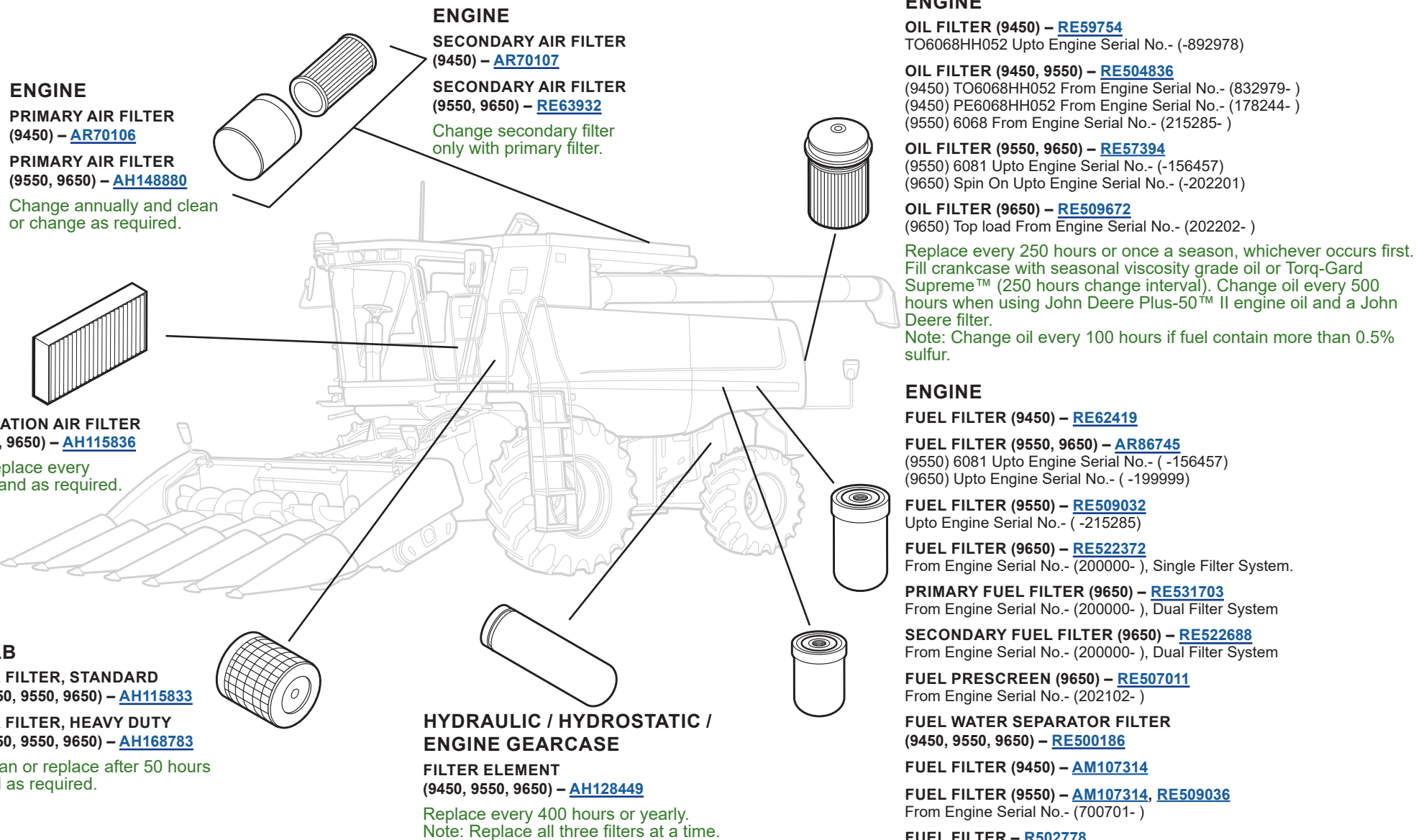


# FILTER OVERVIEW WITH SERVICE INTERVALS AND CAPACITIES

## 9450, 9550, 9650 Walker Series Combines



**ENGINE**  
**PRIMARY AIR FILTER**  
 (9450) – [AR70106](#)  
**PRIMARY AIR FILTER**  
 (9550, 9650) – [AH148880](#)

Change annually and clean or change as required.

**ENGINE**  
**SECONDARY AIR FILTER**  
 (9450) – [AR70107](#)  
**SECONDARY AIR FILTER**  
 (9550, 9650) – [RE63932](#)

Change secondary filter only with primary filter.

### ENGINE

**OIL FILTER (9450) – [RE59754](#)**  
 TO6068HH052 Upto Engine Serial No.- (-892978)

**OIL FILTER (9450, 9550) – [RE504836](#)**  
 (9450) TO6068HH052 From Engine Serial No.- (832979- )  
 (9450) PE6068HH052 From Engine Serial No.- (178244- )  
 (9550) 6068 From Engine Serial No.- (215285- )

**OIL FILTER (9550, 9650) – [RE57394](#)**  
 (9550) 6081 Upto Engine Serial No.- (-156457)  
 (9650) Spin On Upto Engine Serial No.- (-202201)

**OIL FILTER (9650) – [RE509672](#)**  
 (9650) Top load From Engine Serial No.- (202202- )

Replace every 250 hours or once a season, whichever occurs first. Fill crankcase with seasonal viscosity grade oil or Torq-Gard Supreme™ (250 hours change interval). Change oil every 500 hours when using John Deere Plus-50™ II engine oil and a John Deere filter.  
 Note: Change oil every 100 hours if fuel contain more than 0.5% sulfur.

### ENGINE

**FUEL FILTER (9450) – [RE62419](#)**

**FUEL FILTER (9550, 9650) – [AR86745](#)**  
 (9550) 6081 Upto Engine Serial No.- (-156457)  
 (9650) Upto Engine Serial No.- (-199999)

**FUEL FILTER (9550) – [RE509032](#)**  
 Upto Engine Serial No.- (-215285)

**FUEL FILTER (9650) – [RE522372](#)**  
 From Engine Serial No.- (200000- ), Single Filter System.

**PRIMARY FUEL FILTER (9650) – [RE531703](#)**  
 From Engine Serial No.- (200000- ), Dual Filter System

**SECONDARY FUEL FILTER (9650) – [RE522688](#)**  
 From Engine Serial No.- (200000- ), Dual Filter System

**FUEL PRESCREEN (9650) – [RE507011](#)**  
 From Engine Serial No.- (202102- )

**FUEL WATER SEPARATOR FILTER**  
 (9450, 9550, 9650) – [RE500186](#)

**FUEL FILTER (9450) – [AM107314](#)**

**FUEL FILTER (9550) – [AM107314](#), [RE509036](#)**  
 From Engine Serial No.- (700701- )

**FUEL FILTER – [R502778](#)**  
 Engine Serial No.- (20000-232462)

**FUEL FILTER (9650) – [R502778](#)**  
 From Engine Serial No.- (695407- ) Also for 695394, 695395, 695401, 695402, 695405

Replace every 500 hours and as required.

**CAB**  
**RECIRCULATION AIR FILTER**  
 (9450, 9550, 9650) – [AH115836](#)

Clean or replace every 200 hours and as required.

**CAB**  
**AIR FILTER, STANDARD**  
 (9450, 9550, 9650) – [AH115833](#)

**AIR FILTER, HEAVY DUTY**  
 (9450, 9550, 9650) – [AH168783](#)

Clean or replace after 50 hours and as required.

**HYDRAULIC / HYDROSTATIC / ENGINE GEARCASE**

**FILTER ELEMENT**  
 (9450, 9550, 9650) – [AH128449](#)

Replace every 400 hours or yearly.  
 Note: Replace all three filters at a time.



# CAPACITIES

## 9450, 9550, 9650 Walker Series Combines

### CAPACITIES (Approximate):

#### Fuel Tank:

9450, 9550, 9650..... 565 L (150 gal)

#### Cooling System with Heater:

##### Cool-Gard™

9450..... 36 L (9.5 gal)

9550 ( -695200), 9650 ( -695300) ..... 38 L (10.03 gal)

9550 (700201 - ) ..... 40 L (10.6 gal)

#### Engine Crankcase with Filter:

##### Torq-Gard Supreme™ or Plus-50™ II

9450..... 18.9 L (5 gal)

9550 ( -695200), 9650 ..... 28.5 L (7.5 gal)

9550 (700201 - ) ..... 32 L (8.5 gal)

#### Transmission:

##### GL-5

9450, 9550, 9650..... 9.6 L (2.5 gal)

#### Final Drives (Each):

##### GL-5

9450, 9550..... 8.5 L (2.2 gal)

9650 Regular Duty Single Reduction ..... 8.5 L (2.2 gal)

9650 Heavy Duty Single Reduction..... 3.8 L (1 gal)

#### Feeder House Reverser Gearcase:

##### GL-5

9450 ( -695100), 9550 ( -695200), 9650 ( -695300)  
..... 0.9 L (0.23 gal)

#### Feeder House Reverser Gearcase without Cooler:

##### GL-5

9450 (700101 - ) 9550 (700201 - ) and 9650 (700301 - )  
..... 2.3 L (0.6 gal)

#### Feeder House Reverser High-Capacity with Cooler:

##### GL-5

9550-9650 ..... 3.5 L (0.9 gal)

#### Primary Countershaft Drive Gearcase:

##### GL-5

9450, 9550, 9650..... 1.2 L (0.3 gal)

#### Straw Walker Drive Gearcase:

##### John Deere Corn Head Grease

9450, 9550, 9650..... 400 cc (14 oz)

#### Dual-Range Cylinder Drive Gearcase:

##### GL-5

9450, 9550, 9650..... 1.9 L (0.5 gal)

#### Engine Gearcase:

##### Low Viscosity Hy-Gard™

9450, 9550, 9650..... 16 L (4.2 gal)

#### Loading Auger Gearcase:

##### GL-5

9450, 9550, 9650..... 3.8 L (1 gal)

#### Hydraulic / Hydrostatic Reservoir:

##### Low Viscosity Hy-Gard™

9450, 9550, 9650..... 34 L (9 gal)

[Return to Filter Overview](#)

