

FILTER OVERVIEW WITH SERVICE INTERVALS AND CAPACITIES

9030 Series Track Tractors - 9430T, 9530T, 9630T

ENGINE

PRIMARY AIR FILTER – [RE261960](#)

Replace annually or as indicated.

(Interval may vary according to operating conditions.)

ENGINE

SECONDARY AIR FILTER – [RE230985](#)

Replace annually or every second replacement of primary filter.

ENGINE

OIL FILTER – [RE572785](#)

Initial oil and filter change at 100 hours and then after every 250 hours.

Scheduled interval of 250 hours can be extended to 375 hours if John Deere Plus-50 oil and John Deere filter is used.

(Click here for [capacity](#))

ENGINE

PRIMARY FUEL FILTER – [RE532952](#)

Replace after 100 hours, then after every 250 hours or as required, whichever occurs first.

(Interval may vary according to operating conditions.)

HYDRAULICS

HYDRAULIC OIL FILTER – [RE174130](#)

Replace after 1500 hours, as required or as indicated.

(Interval may vary according to operating conditions.)

(Click here for [capacity](#))

HYDRAULICS

AIR, HYDRAULIC RESERVOIR – [AT101565](#)

Replace after every 750 hours.

(Interval may vary according to operating conditions.)

(Click here for [capacity](#))

ENGINE

STEERING FILTER – [RE69054](#)

Replace after 1500 hours.

(Interval may vary according to operating conditions.)

(Click here for [capacity](#))

ENGINE

MOTOR SEAL DRAIN FILTER – [AL221066](#)

Change annually or as required.

(Click here for [capacity](#))

ENGINE

FUEL TANK VENT FILTER

[RE52504](#)

Replace every after 1000 hours.

(Interval may vary according to operating conditions.)

TRANSMISSION FILTER – [RE174130](#)

Replace after 100 hours, then after every 750 hours or as required, whichever occurs first.

(Click here for [capacity](#))

CAB

RECIRCULATION AIR FILTER – [RE187966](#)

Clean after every 250 hours or as required.

Replace annually and as required.

(Interval may vary according to operating conditions.)

CAB

ACTIVATED CARBON RECIRCULATION FILTER – [RE199682](#)

Do NOT clean. Replace annually or as required.

(Interval may vary according to operating conditions.)

CAB

FRESH AIR FILTER, HEAVY-DUTY – [RE67829](#)

AIR FILTER, STANDARD – [RE24619](#)

Clean after every 250 hours and replace annually.

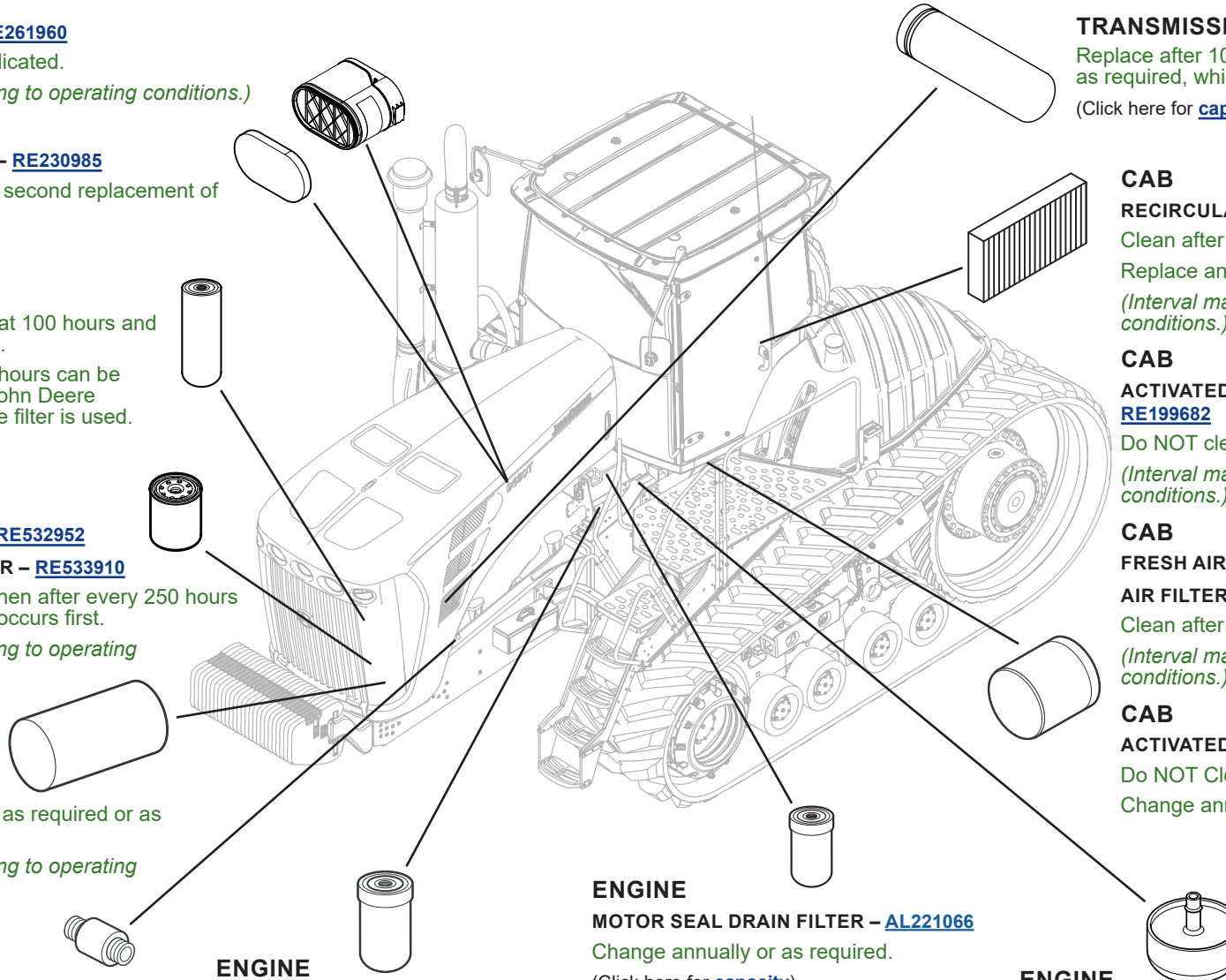
(Interval may vary according to operating conditions.)

CAB

ACTIVATED CARBON AIR FILTER – [RE199681](#)

Do NOT Clean.

Change annually, after 500 hours, or as required.



JOHN DEERE

Genuine Parts and Service

https://www.deere.com/en_US/parts/parts_by_industry/ag/fmi/filter_maintenance_information.page

CAPACITIES

9030 Series Track Tractors - 9430T, 9530T, 9630T

CAPACITIES (Approximate):

Fuel Tank:

..... 1249 L (330 gal)

Cooling System including Overflow Tank:

Cool-Gard™ II

..... 53 L (14 gal)

Crankcase including Filter:

Plus-50™

9430T 40 L (10.5 gal)

9530T-9630T 56 L (14.8 gal)

Transmission/Axle-PST:

Hy-Gard™

Axles Only 178 L (47 gal)

Transmission with Axle 227 L (60 gal)

With PTO 230 L (61 gal)

Hydraulic System:

Hy-Gard™

Without Hitch 102 L (27 gal)

With Hitch 104 L (27.5 gal)

[Return to Filter Overview](#)

