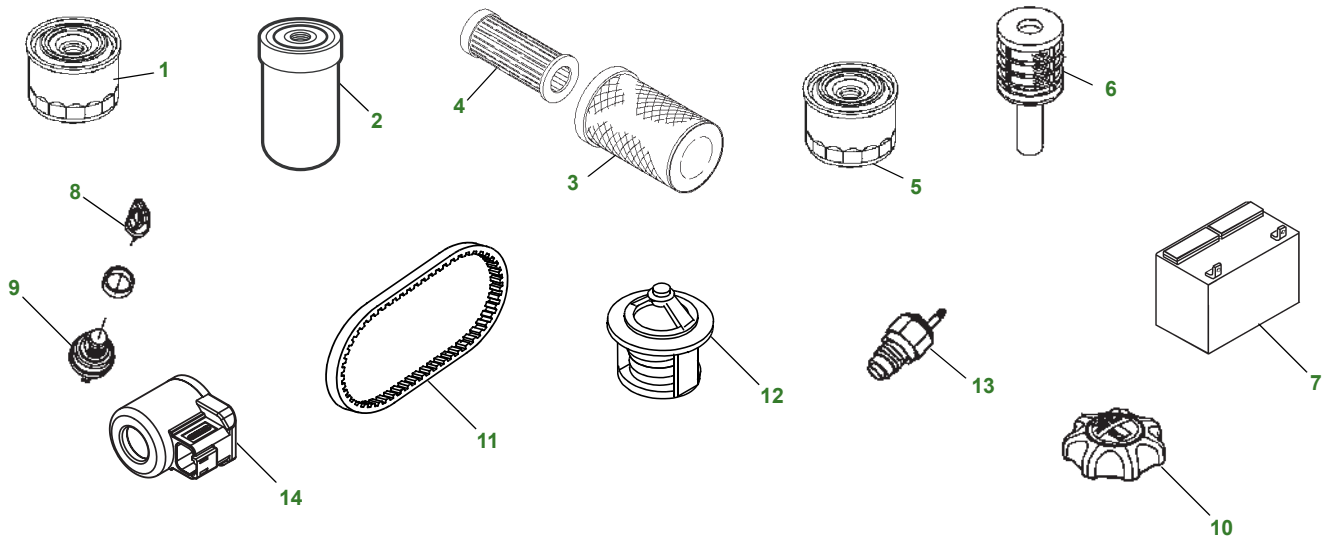


8000A E-Cut™ Hybrid Fairway Mower



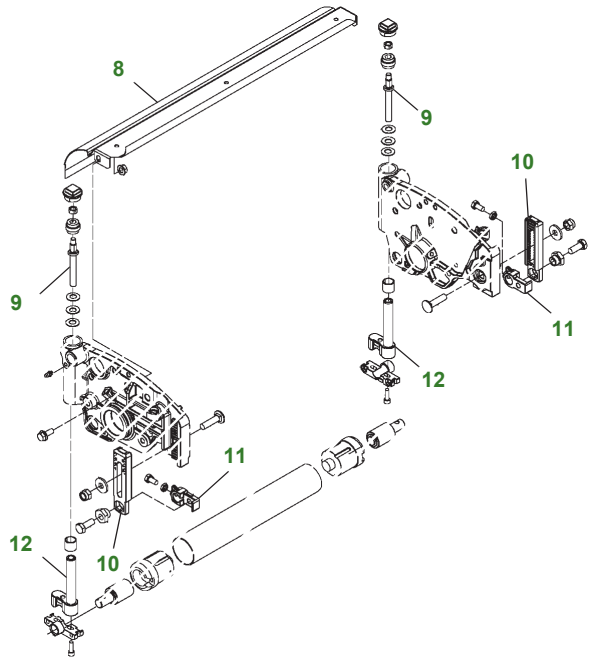
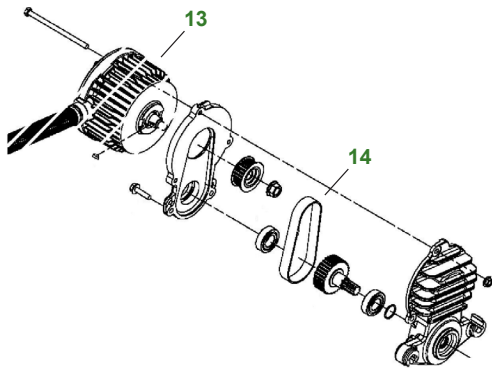
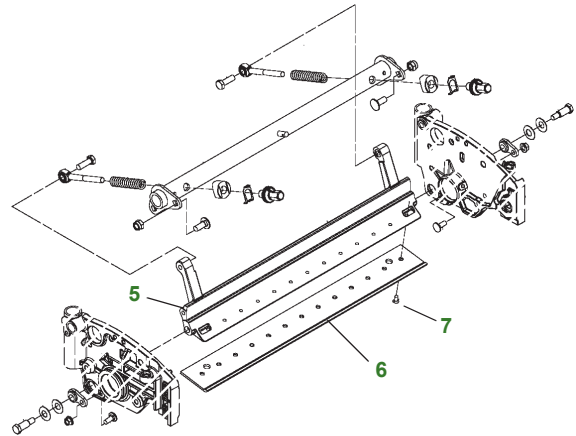
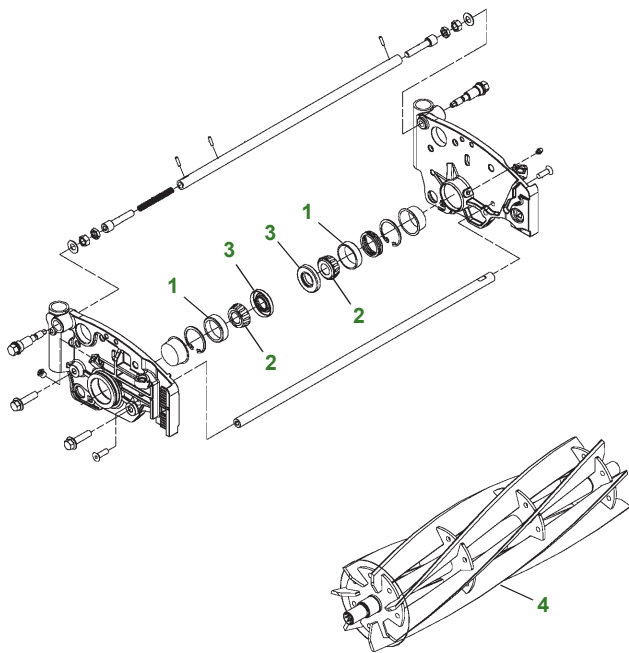
Key	Part No.	Description	Key	Part No.	Description
1	M806419	ENGINE OIL FILTER	9	TCA22740	SWITCH (S/N -040000)
2	RE69054	HYDRAULIC OIL FILTER		AUC15805	SWITCH (S/N 040001-)
3	RE68048	AIR FILTER - PRIMARY	10	TCA24601	FILLER CAP
4	RE68049	AIR FILTER - SECONDARY	11	TCU38089	BELT - FAN
5	MIU800645	FUEL FILTER - NON TIER 4		TCU30780	BELT - FAN - TIER 4
	MIU803127	FUEL FILTER - TIER 4	12	M811034	THERMOSTAT
6	M811032	FUEL SEPARATOR ELEMENT - NON TIER 4	13	CH15516	WATER TEMP SWITCH (NON TIER 4)
	MIU802421	FUEL SEPARATOR ELEMENT - TIER 4		MIU801119	WATER TEMP SENSOR (TIER 4)
7	TY25876	BATTERY	14	AXE27435	SELENOID VALVE COIL - BRAKE / HYDRAULIC
8	AUC12681	KEY			

Parts Needed in First 250 hours of Operation

Qty	Part No.	Item	Capacity	Interval In Hours
2	M806419	Engine Oil Filter		250
6	TY26674	Plus-50™ II 15W-40 Engine Oil	5.7 L (6 qt)	250
1	RE69054	Hydraulic Oil Filter		50
3	TY25083	John Deere Special Purpose Golf & Turf Cutting Unit Grease (Cutting Unit and Cutting Unit Attachments)		As Needed
3	TY6341	John Deere Multi-Purpose SD Polyurea Grease (Machine components, lift arms and rollers)		As Needed

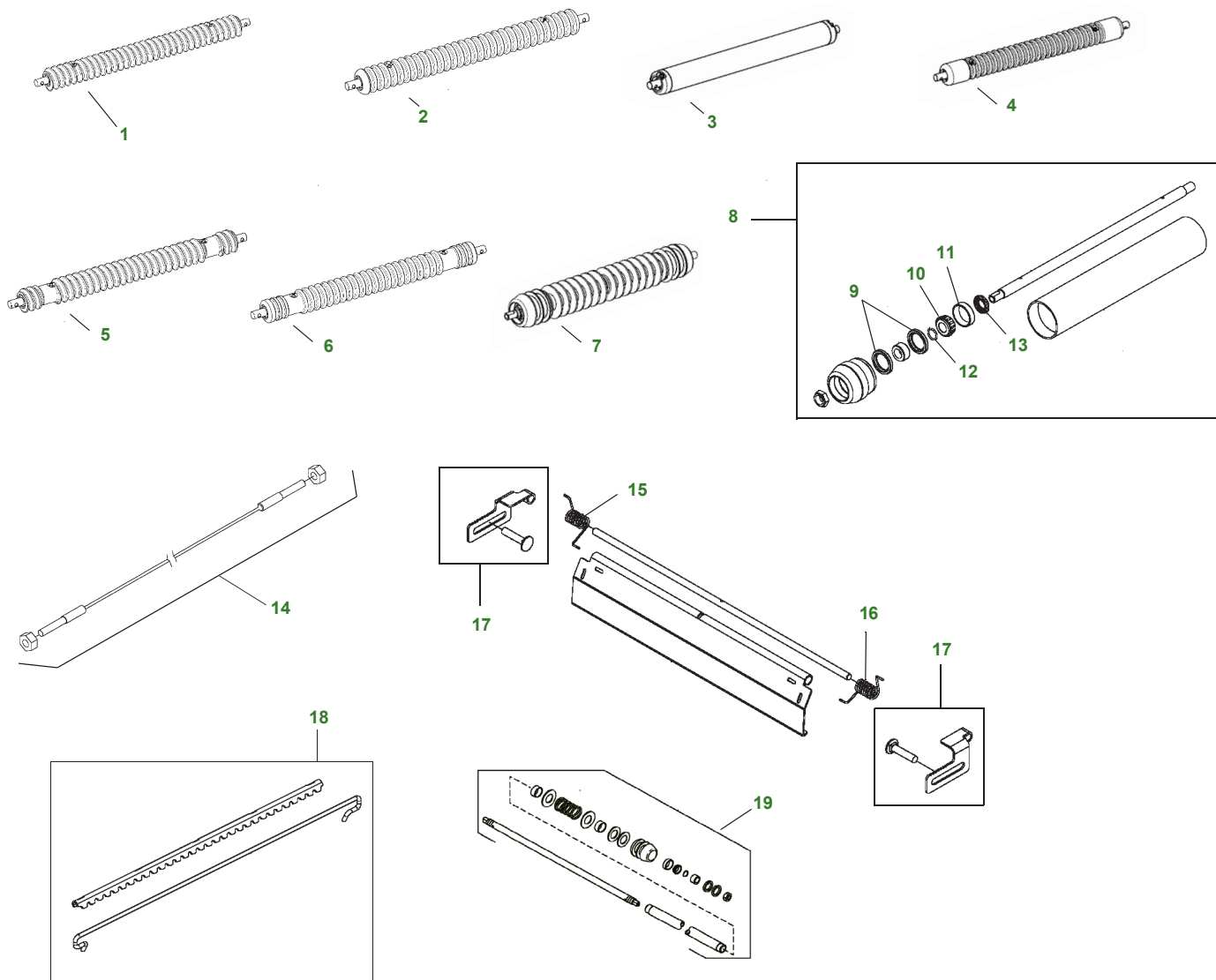
*Refer to Operators Manual for service intervals if using BioDiesel Fuel and Bio Hy-Gard.

8000A E-Cut™ Hybrid Reel Cutting Unit



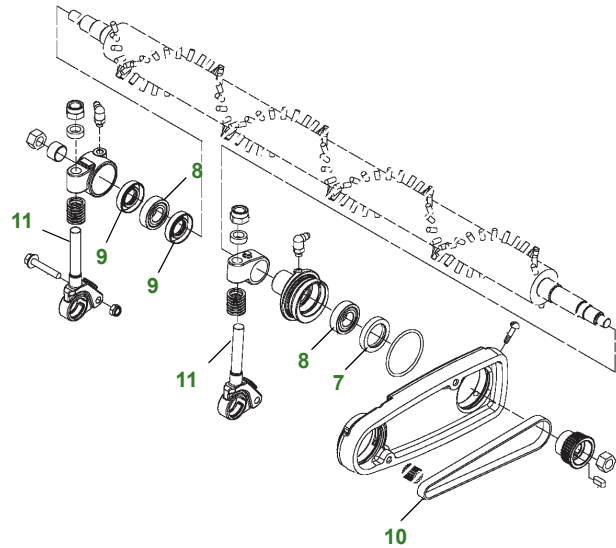
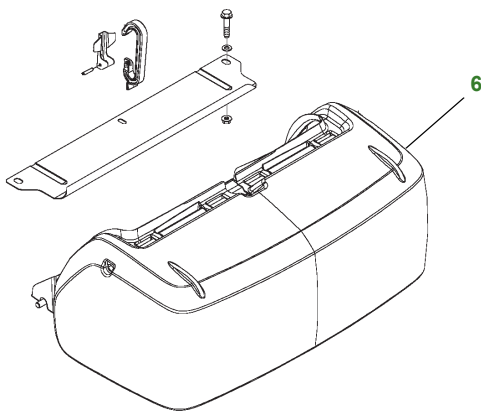
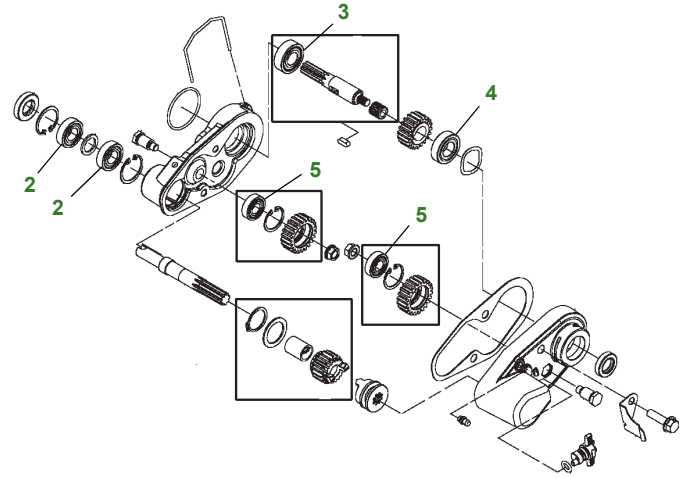
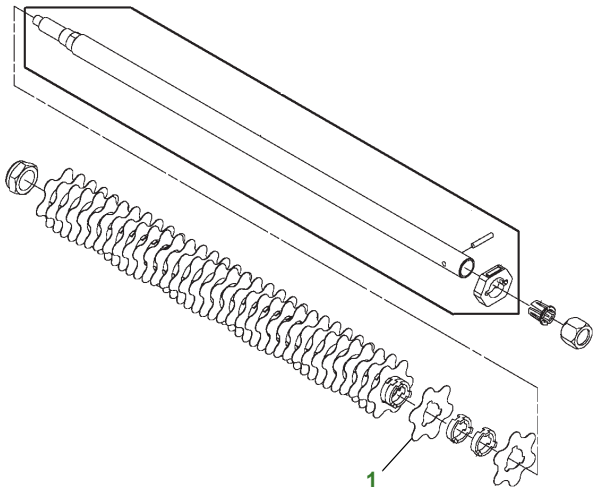
Key	Part No.	Description	Key	Part No.	Description
1	JD8226	BEARING CUP	7	21M7194	SCREW
2	JD8188	BEARING CONE	8	TCA18643	SHIELD
3	ET14566	SEAL	9	TCU24328	ADJUSTER
4	TCA19348	REEL - 7-BLADE	10	UC16108	BRACKET
	TCA19349	REEL - 11-BLADE	11	UC18211	BRACKET RH (IF USING FTC / GTC)
	TCA23622	REEL - 14-BLADE			BRACKET LH (IF NO FTC / GTC)
5	TCU35967	SHOE		UC16109	BRACKET LH (IF USING FTC / GTC)
6	TCU31422	BEDKNIFE - FAIRWAY - HIGH CUT- 7.6 mm			BRACKET RH (IF NO FTC / GTC)
	MT4846	BEDKNIFE - 2.5 mm TOURNAMENT	12	AUC13512	ADJUSTER
	UC18867	BEDKNIFE - FAIRWAY - 4.8 mm	13	AUC10826	CUTTING UNIT MOTOR - 60 in. WIRING HARNESS
	UC19156	BEDKNIFE - LOW-CUT - 2 mm	14	TCU33535	SYNCHRONOUS BELT
	TCU36878	BEDKNIFE - HARDENED LESS AGGRESSIVE LOW-CUT			

8000A E-Cut™ Hybrid Cutting Unit Rollers



Key	Part No.	Description	Key	Part No.	Description
1	BM22789	ROLLER - SPIRAL GROOVED (2 in.)	10	JD8188	BEARING CONE
2	BM22868	ROLLER - GROOVED FRONT (2 in.)	11	JD8226	BEARING CUP
3	TCA19656	ROLLER - HOLLOW SMOOTH (2 in.)	12	U46731	O-RING
	AMT2981	ROLLER - MACHINED SMOOTH SOLID (2 in.)	13	MT739	SEAL
4	AMT2979	ROLLER - MACHINED GROOVED SOLID - WITH SOLID END CAPS (2 in.)	14	BM23015	CABLE (SMOOTH ROLLER SCRAPER)
5	BM23567	ROLLER - MACHINED SPIRAL (2 in.)	15	TCU27037	TORSION SPRING - LH
6	BTC10281	ROLLER - MACHINED GROOVED (2 in.)	16	TCU27036	TORSION SPRING - RH
7	BM25316	ROLLER - GROOVED DISK (3 in.)	17	TCA19597	KIT - MOUNTING
8	TCA19509	ROLLER - SMOOTH (3 in.)	18	TCA19585	SCRAPER - GROOVED 18 in. X 2 in.
9	ET15755	SEAL	19	BM25316	ROLLER - GROOVED DISK (3 in.)

8000A E-Cut™ Hybrid FTC,Rear Brush and Grass Catcher



Key	Part No.	Description
1	MT2624KNIFE
2	TCU24834BALL BEARING
3	M802355BEARING
4	JD8653BALL BEARING
5	ET16027BALL BEARING
6	BTC10716GRASS CATCHER - LOW PROFILE

Key	Part No.	Description
7	TCU24983SEAL
8	TCU24834BALL BEARING USE W/ BM22527 UC14112BALL BEARING USE W/ BTC10767
9	MT6828SEAL
10	TCU32422SYNCHRONOUS BELT
11	TCU24826BRACKET