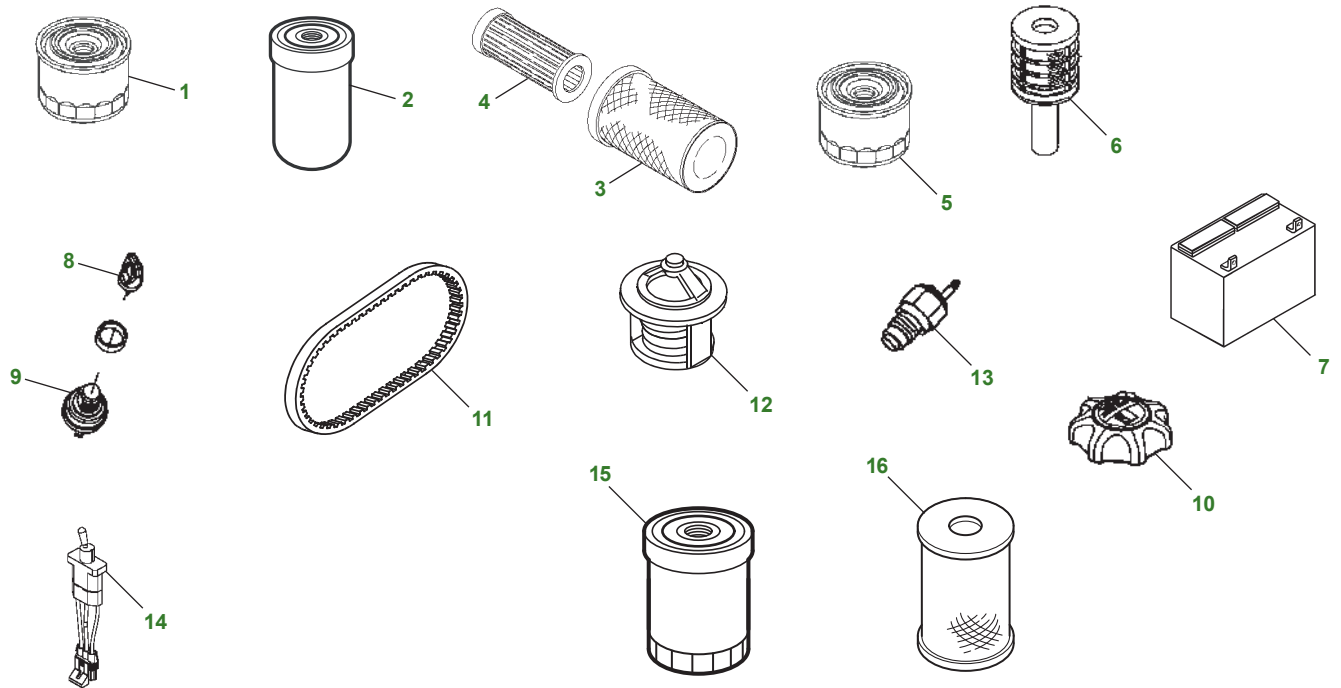


7500A E-Cut™ Hybrid Fairway Mower



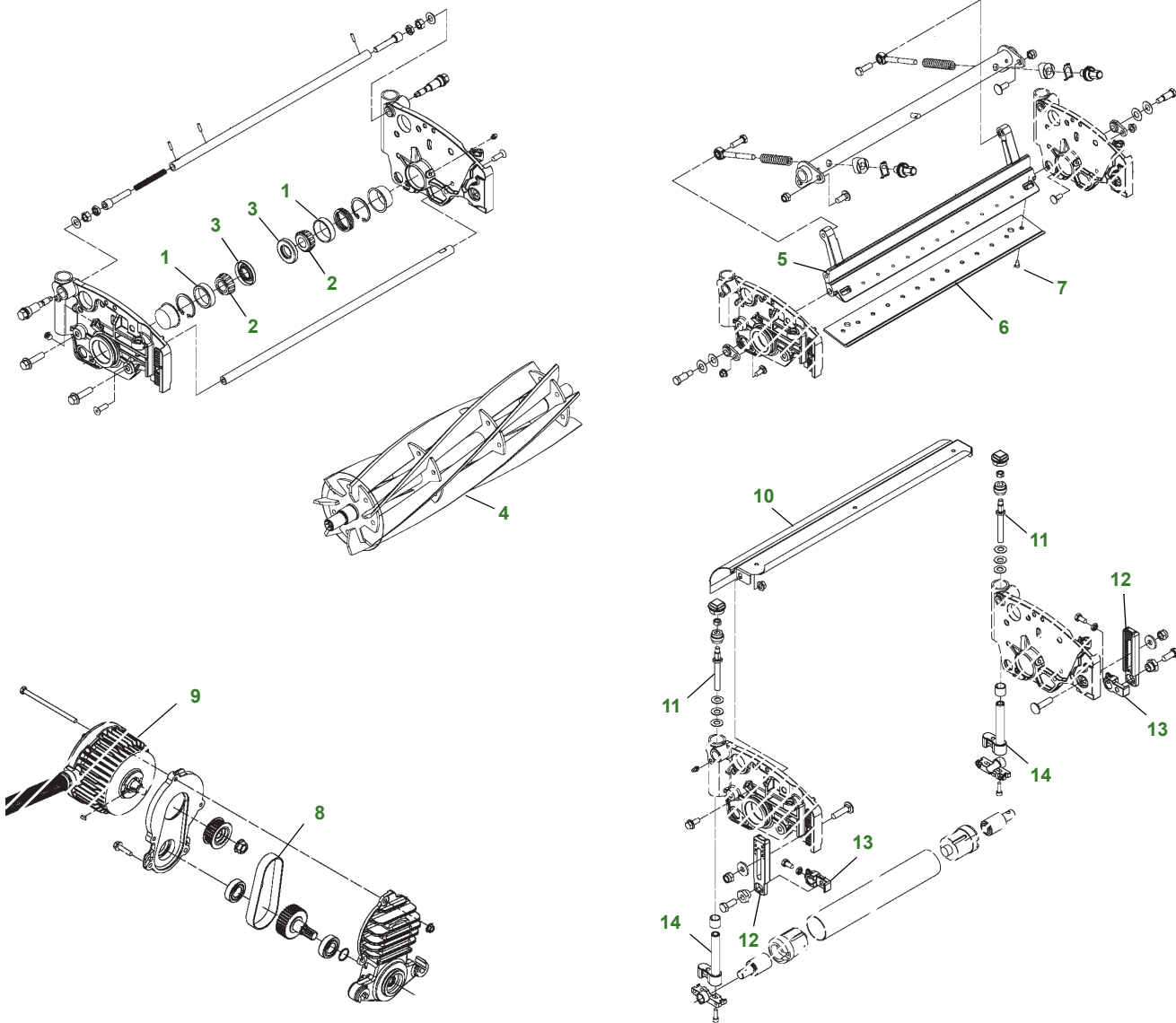
Key	Part No.	Description	Key	Part No.	Description
1	M806419	ENGINE OIL FILTER	11	TCU38089	BELT - FAN
2	RE69054	HYDRAULIC OIL FILTER		TCU30780	BELT - FAN - TIER 4
3	RE68048	AIR FILTER - PRIMARY	12	M811034	THERMOSTAT
4	RE68049	AIR FILTER - SECONDARY	13	CH15516	WATER TEMP SWITCH - NON TIER 4
5	MIU800645	FUEL FILTER - NON TIER 4		MIU801119	WATER TEMP SENSOR - TIER 4
6	M811032	FUEL SEPARATOR - NON TIER 4	14	AXE27435	SELENOID VALVE COIL - BRAKE / HYDRAULIC
7	TY25876	BATTERY	15	MIU803127	FUEL FILTER - TIER 4
8	AUC12681	KEY	16	MIU802421	FUEL SEPARATOR ELEMENT - TIER 4
9	TCA22740	SWITCH (S/N -040000)			
	AUC15805	SWITCH (S/N 040001-)			
10	TCA24601	FILLER CAP			

Parts Needed in First 250 hours of Operation

Qty	Part No.	Item	Capacity	Interval In Hours
2	M806419	Engine Oil Filter		250
6	TY26674	Plus-50™ II 15W-40 Engine Oil	5.3 L (5.6 qt)	250
1	RE69054	Hydraulic Filter		50
3	TY25083	Golf and Turf Cutting Unit Grease (Cutting Unit and Cutting Unit Attachments)		As Needed
3	TY6341	Multi Purpose SD Polyurea Grease (Machine and Lift Arms)		As Needed

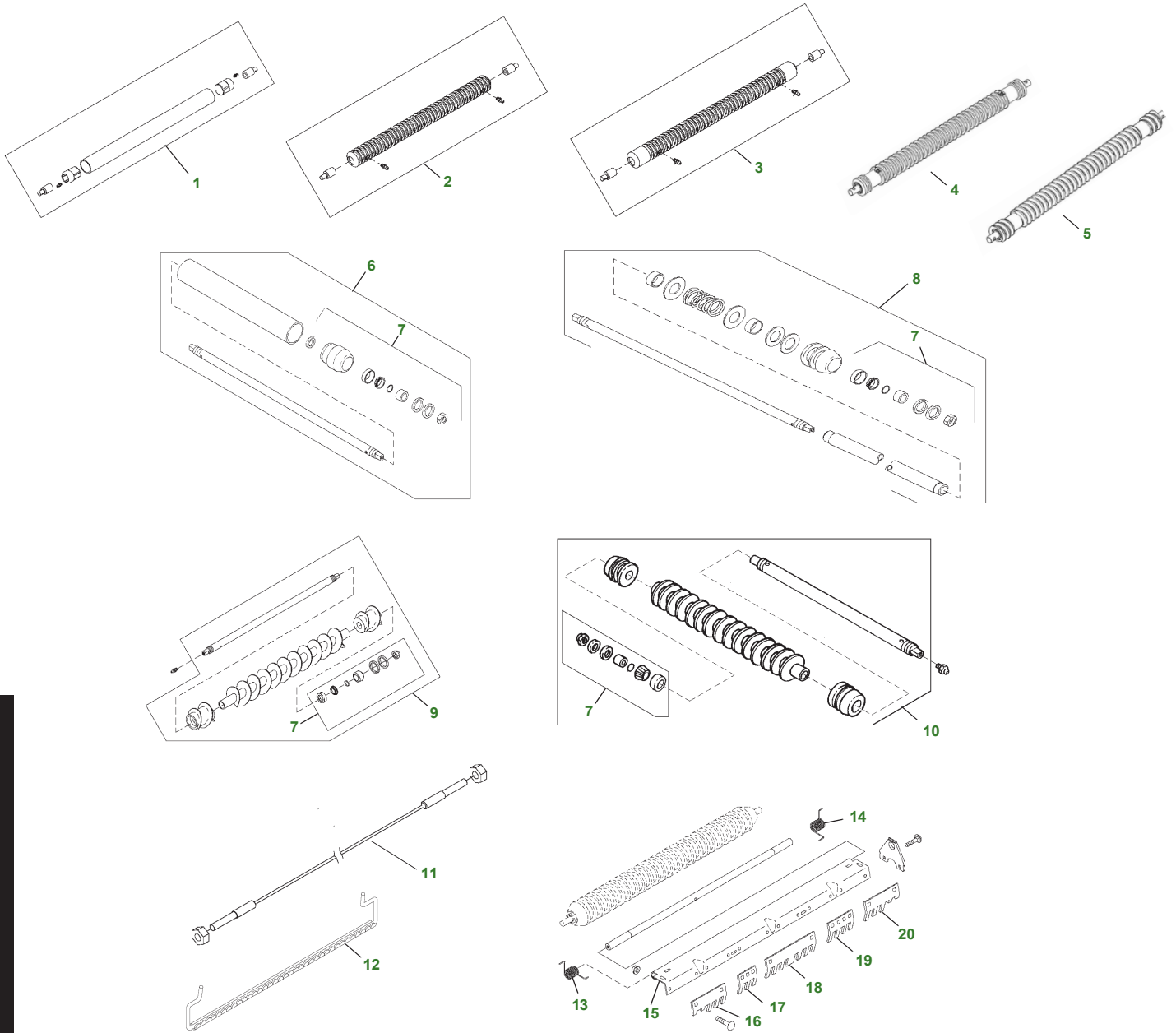
*Refer to Operators Manual for service intervals if using BioDiesel Fuel and Bio Hy-Gard.

7500A E-Cut™ Hybrid Reel Cutting Unit



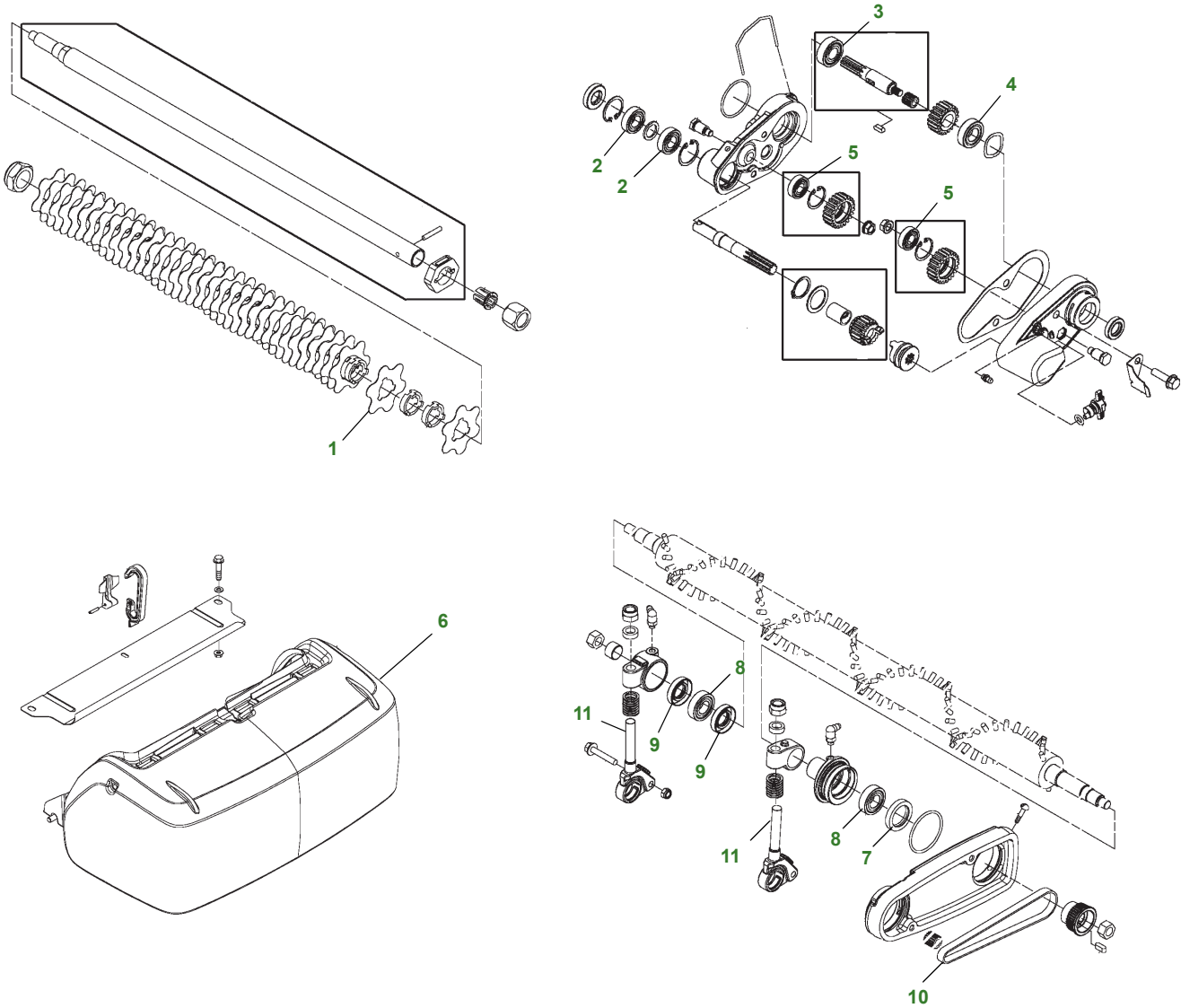
Key	Part No.	Description	Key	Part No.	Description
1	JD8226BEARING CUP	7	UC19154BEDKNIFE LOW-CUT -11-BLADE
2	JD8188BEARING CONE	8	21M7194SCREW
3	ET14566SEAL	9	TCU33535SYNCHRONOUS BELT
4	TCA19350REEL - 7-BLADE	10	AUC10826CUTTING UNIT MOTOR - 60 in.
	TCA19351REEL - 11-BLADE		HARNES
	TCA23621REEL - 14-BLADE	11	TCA19624SHIELD
5	TCU35968SHOE	12	TCU24328ADJUSTER
6	ET17767BEDKNIFE - FAIRWAY - HI-CUT	13	UC16108BRACKET
	UC18865BEDKNIFE - FAIRWAY - LOW-CUT		UC18211BRACKET RH (IF USING FTC / GTC)
	ET11066BEDKNIFE - 3.0 mm W/ HARDENED		BRACKET LH (IF NO FTC / GTC)
	ET17534BEDKNIFE - TOURNAMENT		UC16109BRACKET LH (IF USING FTC / GTC)
	UC18873BEDKNIFE - STANDARD		BRACKET RH (IF NO FTC / GTC)
	TCU36165BEDKNIFE - HARDENED LESS AGGRESSIVE	14	AUC13512ADJUSTER
		LOW-CUT			

7500A E-Cut™ Hybrid Cutting Unit Rollers



Key	Part No.	Description	Key	Part No.	Description
1	BM18480	ROLLER - SMOOTH TUBE (2 in.)	9	BM19817	ROLLER - CONTINUOUS SPIRAL (3 in.)
	BM18711	ROLLER - SMOOTH SOLID (2 in.)	10	AMT1286	ROLLER - SPIRAL W/GROOVED END CAPS (3 in.)
2	BM19821	ROLLER - MACHINED SPIRAL (2 in.)	11	BM22995	SCRAPER - SMOOTH ROLLER
	BE23416	ROLLER - GROOVED (22.5 in.)	12	TCA19547	SCRAPER - GROOVED (22 X 2 in.)
	BM18481	ROLLER - GROOVED (23.25 in.)	13	ET17629	TORSION SPRING - LH
3	BM18712	ROLLER - EXTENDED GROOVED (2 in.)	14	ET17630	TORSION SPRING - RH
4	BTC10267	ROLLER - MACHINED GROOVED - ATTACHMENT	15	MT2369	SCRAPER
5	BM23566	ROLLER - SPIRAL GROOVED	16	MT5159	SCRAPER - LH END
6	AMT2967	ROLLER - SMOOTH (3 in.)	17	MT2342	SCRAPER - 3 TOOTH
7	AET10632	SEAL KIT	18	MT2340	SCRAPER - CENTER
8	BM25317	ROLLER - DISK (3 in.)	19	MT2341	SCRAPER - 4 TOOTH
			20	MT5158	SCRAPER - RH END

7500A E-Cut™ Hybrid FTC, Rear Brush and Grass Catcher



Key	Part No.	Description	Key	Part No.	Description
1	MT2624	KNIFE	7	TCU24983	SEAL
2	TCU24834	BALL BEARING	8	TCU24834	BALL BEARING USE W/ BM22527
3	M802355	BALL BEARING		UC14112	BALL BEARING USE W/ BTC10767
4	JD8653	BALL BEARING	9	MT6828	SEAL
5	ET16027	BALL BEARING	10	TCU32422	SYNCHRONOUS BELT
6	BTC10718	GRASS CATCHER - LOW PROFILE	11	TCU24826	BRACKET
	BTC10719	GRASS CATCHER - HIGH PROFILE			