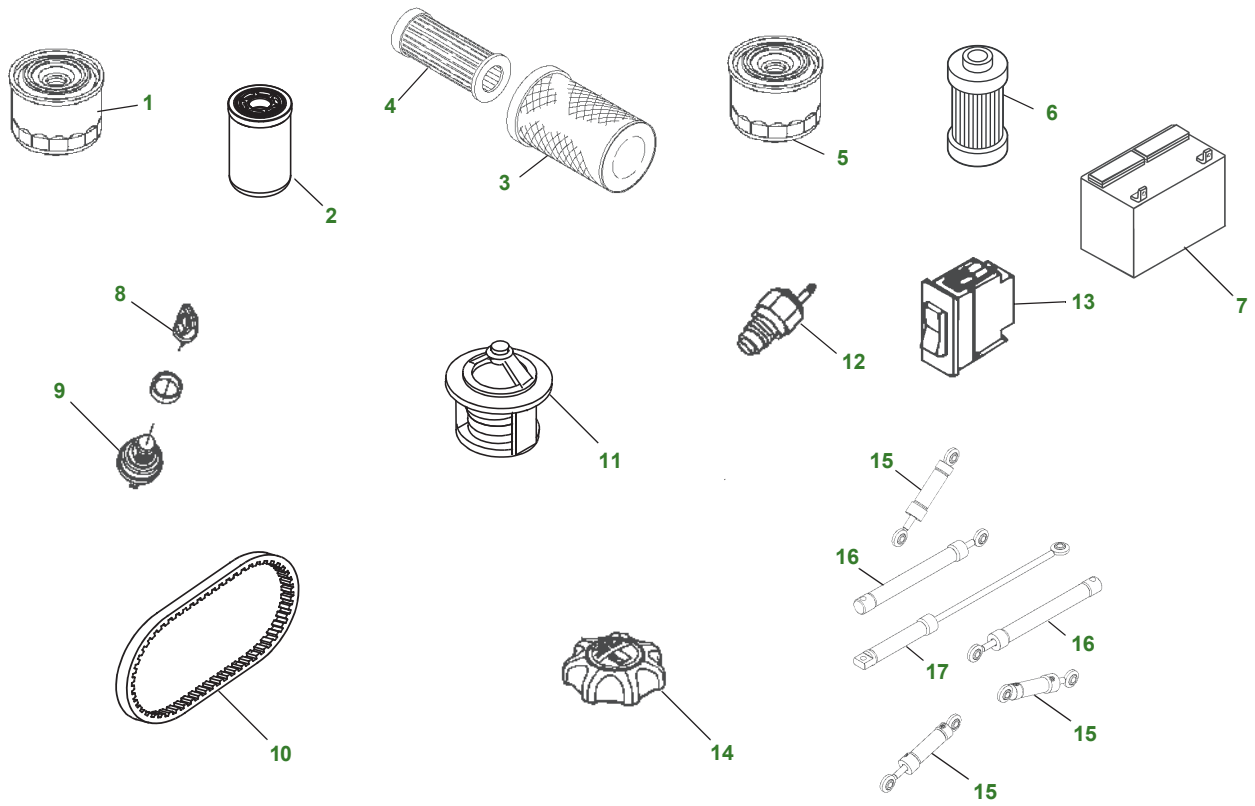


7200A PrecisionCut™ Trim and Surrounds Mower



Rough Intermediates and Surrounds

Key	Part No.	Description	Key	Part No.	Description
1	M806418	ENGINE OIL FILTER	11	M811895	THERMOSTAT (71 deg Celsius or 160 deg Fahrenheit)
2	LVU14258	HYDRAULIC OIL FILTER		M812140	THERMOSTAT (OPTIONAL - 82 deg Celsius or 180 deg Fahrenheit)
3	M131802	AIR FILTER ELEMENT - PRIMARY	12	CH15516	WATER TEMP SWITCH
4	M131803	AIR FILTER ELEMENT - SECONDARY	13	AM117324	HEADLIGHT SWITCH
5	MIU800645	FUEL FILTER	14	TCA24601	FUEL CAP
6	M811032	FUEL SEPARATOR ELEMENT	15	TCA24128	HYDRAULIC CYLINDER - LIFT
7	TY25876	BATTERY	16	TCA17627	HYDRAULIC CYLINDER - IMPLEMENT SHIFT
8	AUC12681	KEY	17	TCA18638	HYDRAULIC CYLINDER - WIDTH OF CUT
9	TCA22740	SWITCH (S/N -040000)			
	AUC15805	SWITCH (S/N 040001-)			
10	TCU38089	BELT - FAN			
	M82461	BELT - WATER PUMP			

7200A PrecisionCut™ Trim and Surrounds Mower (Continued)

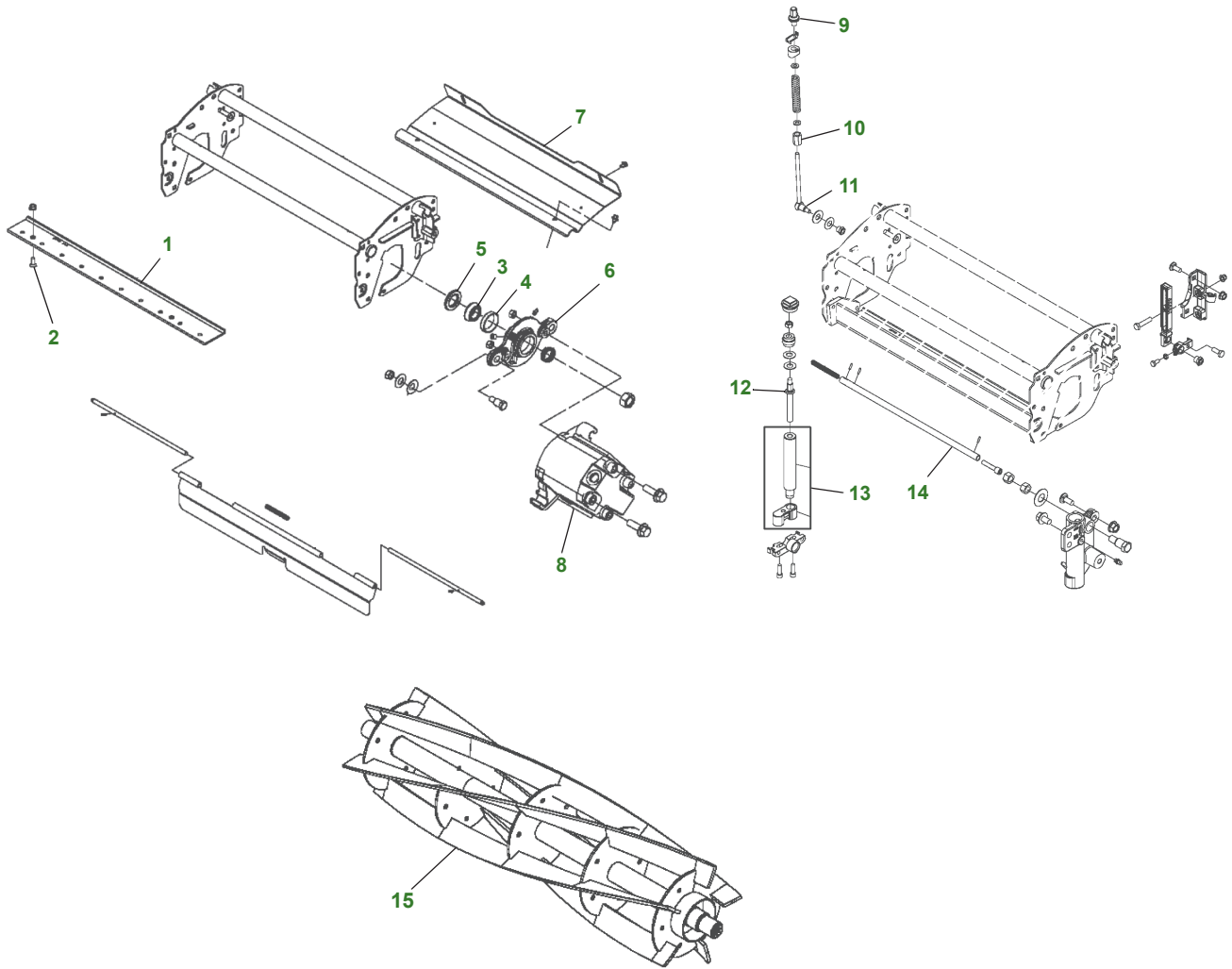
Parts Needed in First 250 hours of Operation

Qty	Part No.	Item	Capacity	Interval In Hours
2	M806418	Engine Oil Filter		250
4	TY26674	Plus-50™ II 15W-40 Engine Oil	3.4 L (3.6 qt)	250
1	LVU14258	Hydraulic Oil Filter		50
3	TY25083	John Deere Special Purpose Golf & Turf Cutting Unit Grease (Cutting Unit and Cutting Unit Attachments)		As Needed
1	TY6341	John Deere Multi-Purpose SD Polyurea Grease (Machine components, lift arms and rollers)		As Needed
3	TY6333	John Deere Special Purpose HD Moly		As Needed

*Refer to Operators Manual for service intervals if using BioDiesel Fuel and Bio Hy-Gard.

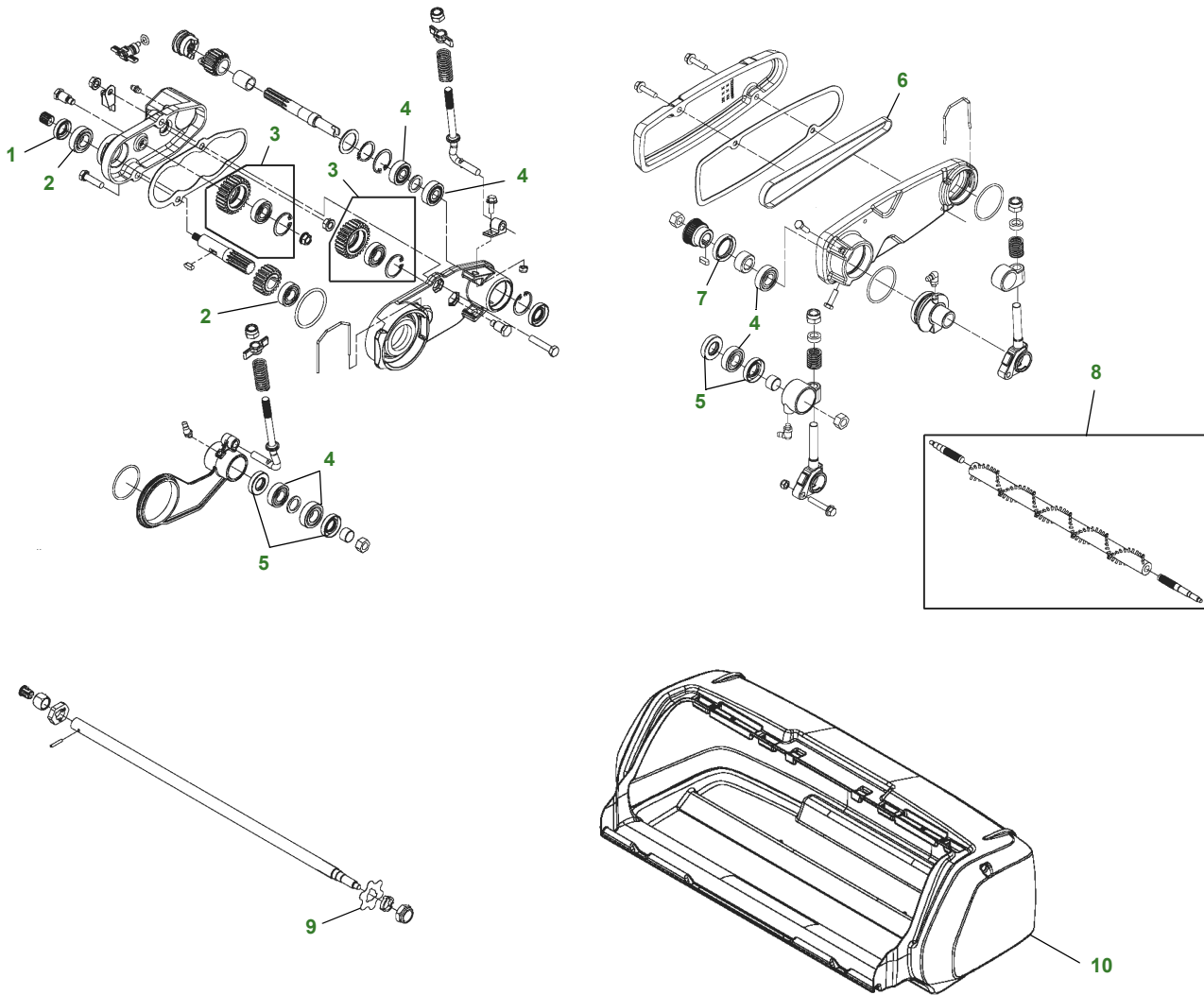
7200A PrecisionCut™ Reel Cutting Unit

Rough Intermediates and Surrounds



Key	Part No.	Description	Key	Part No.	Description	
1	ET17752BEDKNIFE - STANDARD - 26 in.	8	TCA22472CUTTING UNIT MOTOR	
	TCU34070BEDKNIFE - LESS AGGRESSIVE HARDENED INSERT - 26 in.		TCA19115CUTTING UNIT MOTOR SEAL KIT	
	MT6949BEDKNIFE - TOURNAMENT - 26 in.		9	UC16137ADJUSTER
	MT1973BEDKNIFE - STANDARD - 30 in.		10	TCU26315ADJUSTER
	UC11472BEDKNIFE -TOURNAMENT - 30 in.		11	TCU25317ADJUSTER
2	19M7573SCREW - M8 - (12)	12	TCU26123ADJUSTER	
3	JD8933BEARING CONE	13	AUC13597ADJUSTER	
4	JD8253BEARING CUP	14	TCU29056TUBE - 26 in.	
5	TCU25266SEAL		TCU26741TUBE - 30 in.	
6	UC13937BEARING HOUSING W/O BEARINGS - LH	15	TCA19355 REEL - 5-BLADE - 26 in. - USE W/BM22465	
	UC13941BEARING HOUSING W/O BEARINGS - RH		TCA19357 REEL - 5-BLADE - 30 in. - USE W/BM22467	
	UC13942BUSHING		TCA19356 REEL - 8-BLADE - 26 in. - USE W/BM22466	
	TCA19174SHIELD - 26 in.		TCA19358 REEL - 8-BLADE - 30 in. - USE W/BM22468	
7	TCA19175SHIELD - 30 in.				

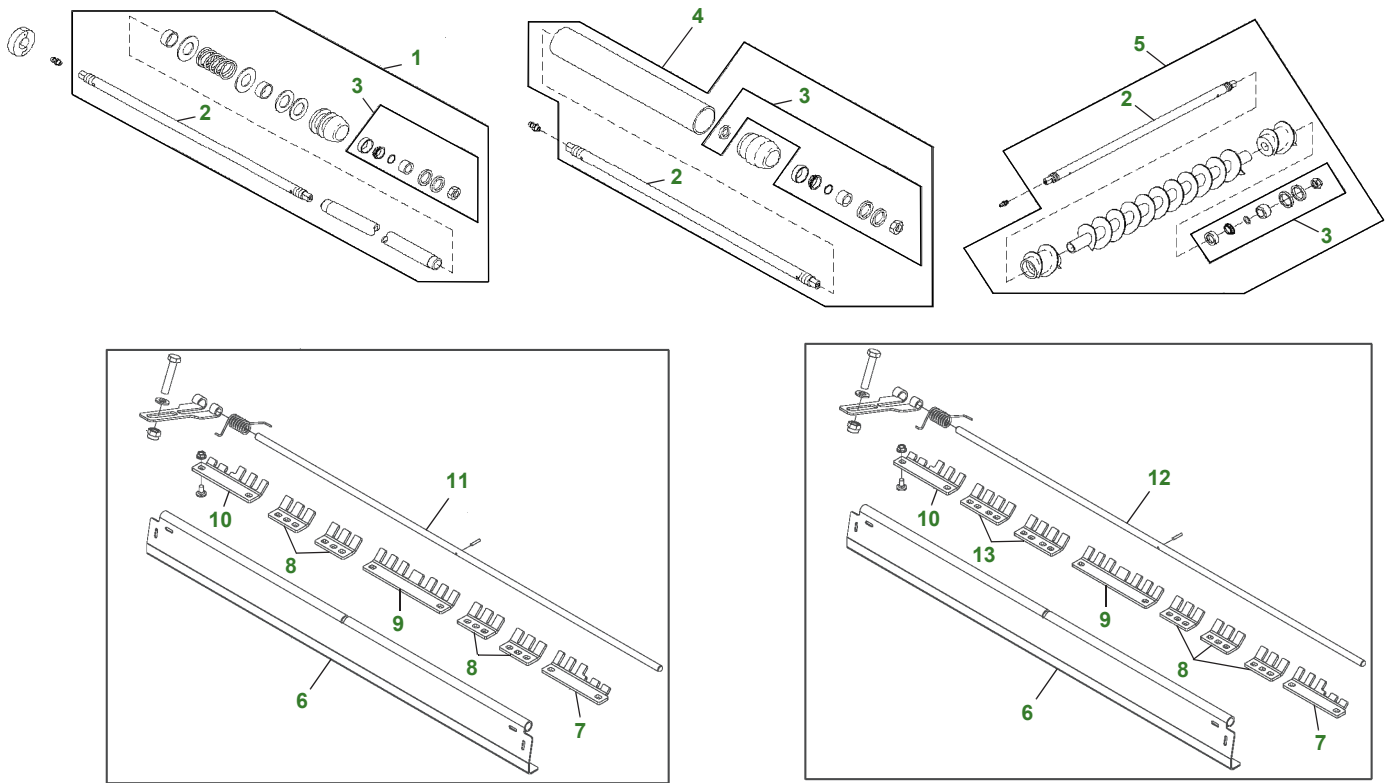
7200A PrecisionCut™ Cutting Unit, FTC, Rear Brush and Grass Catcher



Rough Intermediates and Surrounds

Key	Part No.	Description	Key	Part No.	Description
1	MT2622	SEAL	6	TCU32423	SYNCHRONOUS BELT
2	JD8653	BALL BEARING	7	TCU24983	SEAL
3	TCA17898	IDLER GEAR	8	TCA18668	REAR BRUSH KIT
4	TCU24834	BALL BEARING	9	MT2624	KNIFE
5	MT6828	SEAL	10	TCA18835	GRASS CATCHER

7200A PrecisionCut™ Cutting Unit Rollers and Scrapers



Rough Intermediates and Surrounds

Key	Part No.	Description	Key	Part No.	Description
1	BM25318.....	ROLLER - GROOVED - 26 in.	6	TCU27070.....	SCRAPER - 30 in.
	BM25319.....	ROLLER - GROOVED - 30 in.		TCU27069.....	SCRAPER - 26 in.
2	ET17514.....	SHAFT - 26 in.	7	MT5159.....	SCRAPER (RH)
	MT1986.....	SHAFT - 30 in.	8	MT2342.....	SCRAPER (4) - 26 in.
3	AET10632	SEAL KIT		MT2342.....	SCRAPER (3) - 30 in.
4	BM17671.....	ROLLER - SMOOTH - 26 in.	9	MT2340.....	SCRAPER
	BM18439.....	ROLLER - SMOOTH - 30 in.	10	MT5158.....	SCRAPER (LH)
5	BM19818.....	ROLLER - SPIRAL - 26 in.	11	ET17758.....	ROD - 26 in.
	BM19819.....	ROLLER - SPIRAL - 30 in.	12	MT1982	ROD - 30 in.
	AMT1287.....	ROLLER - SPIRAL GROOVED END CAPS - 26 in.	13	MT2341.....	SCRAPER (2) - 30 in.
	AMT1288.....	ROLLER - SPIRAL GROOVED END CAPS - 30 in.			