

FILTER OVERVIEW WITH SERVICE INTERVALS AND CAPACITIES

50 & 55 Series 6 Cylinder Utility Tractors – 2950, 3150, 2955, 3055, 3155, 3255

CAB

RECIRCULATION AIR FILTER [R65450](#)

Replace as required.

CAB

RECIRCULATION AIR FILTER [L38598](#)

Replace as required.

ENGINE

FUEL FILTER [AR50041](#)

(2955)

Replace after every 1200 hours.

(2950, 3150, 3055, 3155, 3255)
Replace after every 600 hours.

HYDRAULIC/TRANSMISSION

RETURN FLOW FILTER

[AL77061](#) (LGTH = 151.6 mm)

[AL56469](#) (LGTH = 178.5 mm)

[RE34958](#) (LGTH = 240 mm)

Replace after first 50 hours, then after first 600 hours and every 600 hours thereafter. Change Oil Filter as well.

HYDRAULIC/TRANSMISSION

OIL FILTER [AR75603](#)

Replace after first 50 hours, then after first 600 hours and every 600 hours thereafter. Change Return Flow Filter as well.

HYDROSTATIC STEERING

OIL FILTER [AL31413](#)

Replace after every 1200 hours.

ENGINE

PRIMARY AIR FILTER

(2950, 3150) [AL30394](#)

(2955, 3055, 3155) [AZ20623](#)

(3255) [AZ30757](#)

Clean as required. Replace Primary Air Filter if air cleaner indicator light continues to glow.

ENGINE

SECONDARY AIR FILTER

(2950, 3150) [AL30395](#)

(2955, 3055, 3155, 3255) [AL67195](#)

Never clean. Replace at every third change of Primary Air Filter.

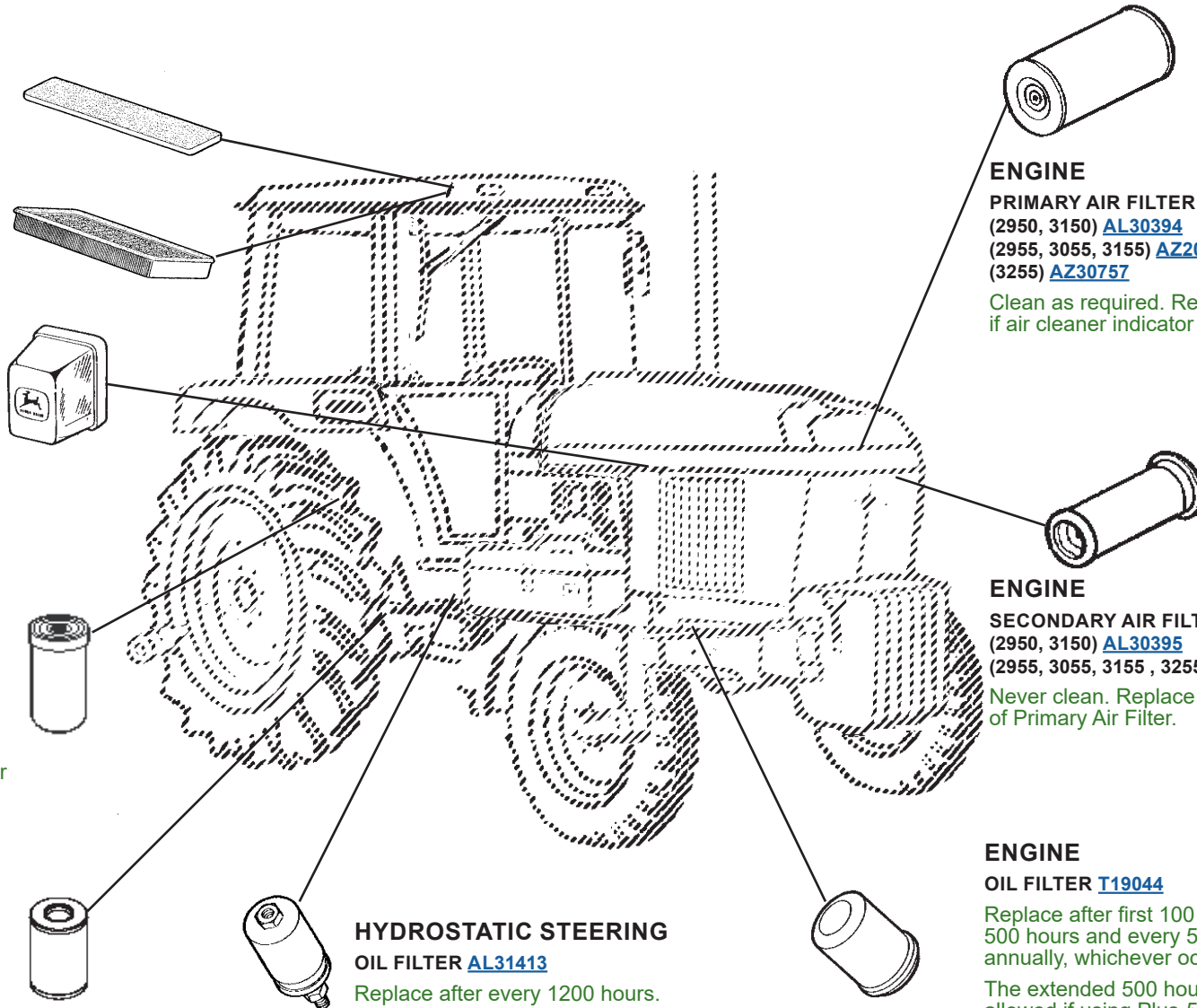
ENGINE

OIL FILTER [T19044](#)

Replace after first 100 hours, then after first 500 hours and every 500 hours thereafter or annually, whichever occurs first.

The extended 500 hour interval is only allowed if using Plus-50™ II oil, JD OEM Oil Filter and diesel fuel with sulfur content less than 15mg/kg (15 ppm).

Change Oil and Filter after every 250 hours, if conditions are not met.



CAPACITIES

50 & 55 Series 6 Cylinder Utility Tractors – 2950, 3150, 2955, 3055, 3155, 3255

CAPACITIES (Approximate):

Fuel Tank:

2950.....	122 L (32.2 gal)
3150.....	134 L (35.4 gal)
3150 (Additional Tank).....	52 L (13.7 gal)
2955, 3055.....	121 L (32.0 gal)
3155.....	173 L (45.7 gal)
3255.....	170 L (44.9 gal)

Cooling System:

2955, 3055, 3255 (with SOUND-GARD Body).....	17 L (4.5 gal)
2955, 3055, 3255 (without SOUND-GARD Body).....	19 L (5.0 gal)
2950, 3150, 3255.....	19 L (5.0 gal)

Crankcase:

Plus-50™

.....	11.5 L (3.0 gal)
-------	------------------

Front axle housing:

Hy-Gard™

Front axle housing

2950, 3150, 3055, 3155, 3255.....	7 L (1.8 gal)
2955.....	6.5 L (1.7 gal)

Final Drive, per side

2950, 3150, 3055, 3155, 3255.....	0.75 L (0.2 gal)
2955.....	1 L (0.26 gal)

Transmission/Hydraulic System:

Hy-Gard™

2950	60 L (15.75 gal)
3150	47 L (12.4 gal)
2955, 3055, 3255	
with MFWD.....	53 L (14.0 gal)
without MFWD.....	50 L (13.2 gal)
3155	
without MFWD.....	48 L (12.6 gal)
with Front PTO.....	50 L (13.2 gal)

[Return to Filter Overview](#)

