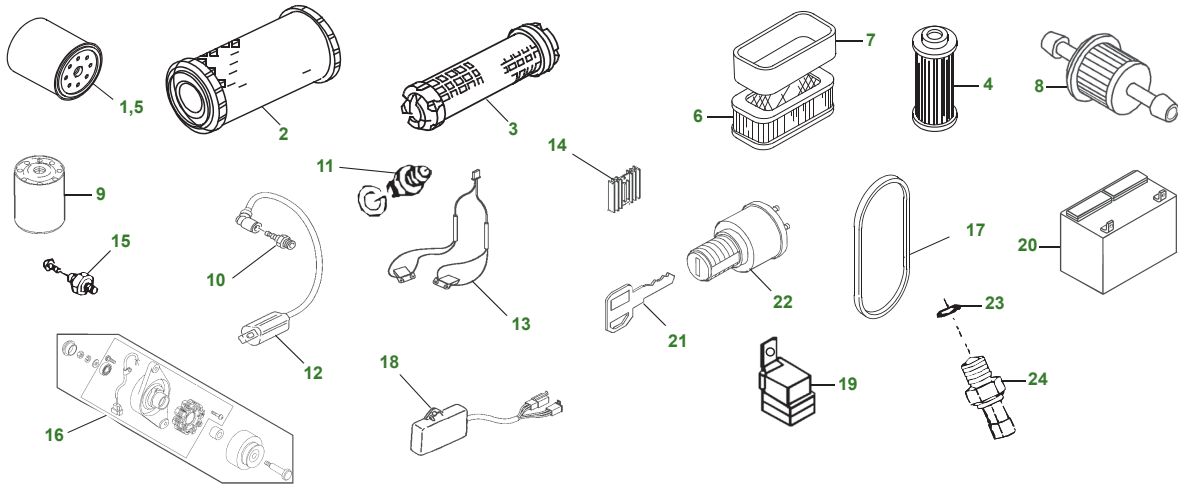


2500B PrecisonCut™ / 2500E E-Cut™ Hybrid Riding Greens Mowers



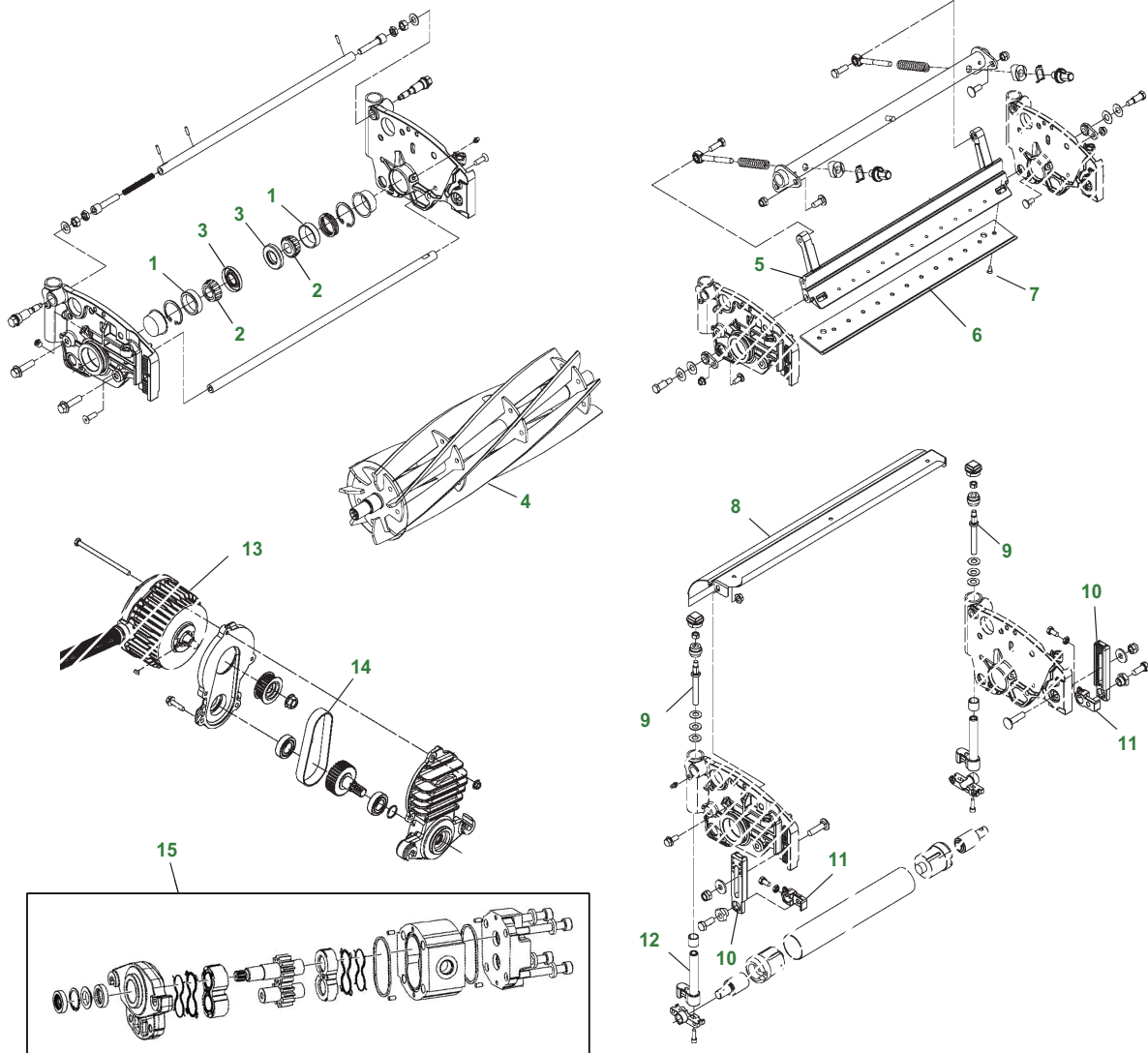
Key	Part No.	Description	Key	Part No.	Description
GAS/DIESEL					
1	M806418OIL FILTER - DIESEL	16	AM879144ALTERNATOR
2	M113621AIR FILTER - PRIMARY - DIESEL	17	M97340BELT - ALTERNATOR - 2500B GAS
3	M123378AIR FILTER - SECONDARY - DIESEL	R81271BELT - ALT - 2500B DIESEL (S/N -020000)	
4	M801101FUEL FILTER - DIESEL	LVU11659BELT - ALT - 2500B DIESEL (S/N 020001-)	
5	AM107423OIL FILTER - GAS	TCU21861BELT - ALT - 2500E HYBRID GAS (S/N -050000)	
6	MIU11376AIR FILTER - SECONDARY - PAPER - GAS	TCU28728BELT - ALT - 2500E HYBRID GAS (S/N 050001-)	
7	M76076AIR FILTER - PRIMARY - FOAM - GAS	TCU21286BELT - ALT - 2500E HYBRID DIESEL (S/N -020000)	
8	AM116304FUEL FILTER - GAS	TCU24175BELT - ALT - 2500E HYBRID DIESEL (S/N 020001-)	
9	AM102723HYDRAULIC FILTER	18	AM105574IGNITOR
10	M805853SPARK PLUG	19	AM123716RELAY
	MIU13128SPARK PLUG (ENGINE MARKED FD620D-LS22)	20	TY25876BATTERY
11	CH15516WATER TEMP SWITCH - DIESEL	21	AUC12681KEY
	AM108952WATER TEMP SWITCH - GAS	22	TCA22740SWITCH
12	AM120732COIL	23	51M7042O-RING
13	AUC15118COIL - PULSER	24	RE46534SWITCH - MOW/LIFT
14	AUC12632REGULATOR			
15	M809526OIL PRESSURE SWITCH - DIESEL			

Parts Needed in First 200 hours of Operation

Qty	Part No.	Item	Capacity	Interval In Hours
GAS MODELS				
3	AM107423	Engine Oil Filter		50/100/200
7	TY22029	TURF-GARD™ 10W-30 Engine Oil	2.1 L (2.2 qt)	50/100/200
1	AM102723	Hydraulic Filter		50
3	TY22062	Hy-Gard™ Trans Oil - J20C	28.2 L (7.6 gal)	50
3	TY24416	John Deere Multi-Purpose Hd Lithium Complex Grease		As Needed
DIESEL MODELS				
2	M806418	Engine Oil Filter		250
3	TY26669	Plus-50™ II 10W-30 Engine Oil	2.2 L (2.3 qt)	250
1	AM102723	Hydraulic Filter		50
3	TY22062	Hy-Gard™ Trans Oil - J20C	28.2 L (7.6 gal)	50
3	TY24416	John Deere Multi-Purpose Hd Lithium Complex Grease		As Needed

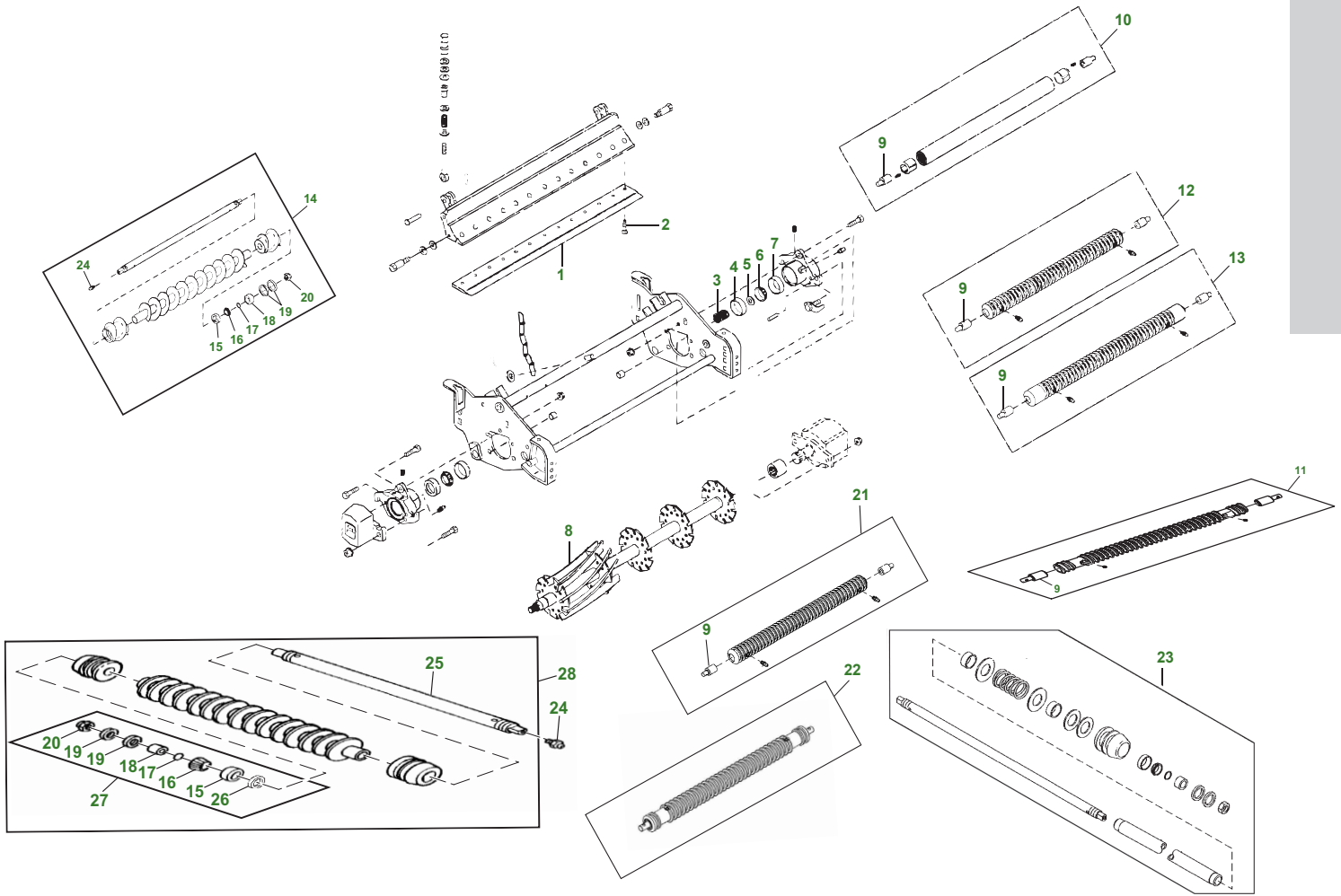
*Refer to Operators Manual for service intervals if using BioDiesel Fuel and Bio Hy-Gard.

2500B / 2500E Hybrid 22 in. QA5 Cutting Unit



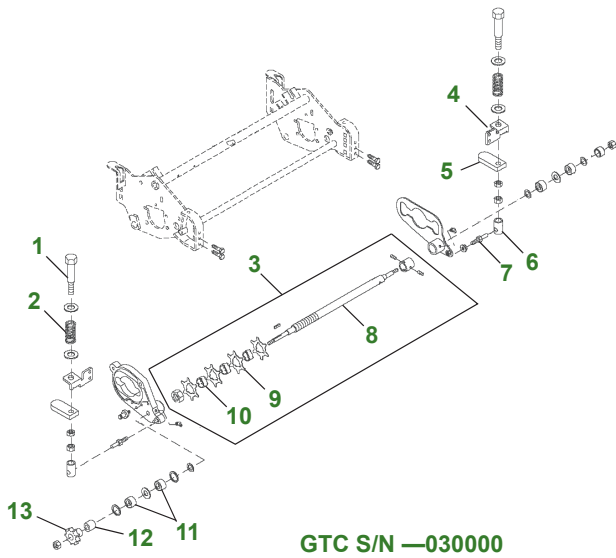
Key	Part No.	Description	Key	Part No.	Description
1	JD8226BEARING CUP		TCU36165BEDKNIFE - HARDENED LESS
2	JD8188BEARING CONE			AGGRESSIVE LOW-CUT
3	ET14566SEAL	7	21M7194SCREW
4	TCA19350REEL - 7-BLADE	8	TCA19624SHIELD
	TCA19351REEL - 11-BLADE	9	TCU24328ADJUSTER
	TCA23621REEL - 14-BLADE	10	UC16108BRACKET
5	TCU35968SHOE	11	UC16109BRACKET RH
6	UC18873BEDKNIFE - STANDARD		UC18211BRACKET LH
	ET17534BEDKNIFE - TOURNAMENT	12	AUC13512ADJUSTER
	UC18865BEDKNIFE - FAIRWAY LOW-CUT - 7-BLADE	13	AUC10827MOTOR - 2500E
	ET17767BEDKNIFE - FAIRWAY - HI-CUT	14	TCU33535SYNCHRONOUS BELT - 2500E
	UC19154BEDKNIFE - LOW-CUT - 11-BLADE	15	TCA22470HYDRAULIC MOTOR - 2500B
	ET11066BEDKNIFE - 3.0 mm W/HARDENED INSERT			

2500B / 2500E Hybrid 22 in. Rollers and Cutting Unit

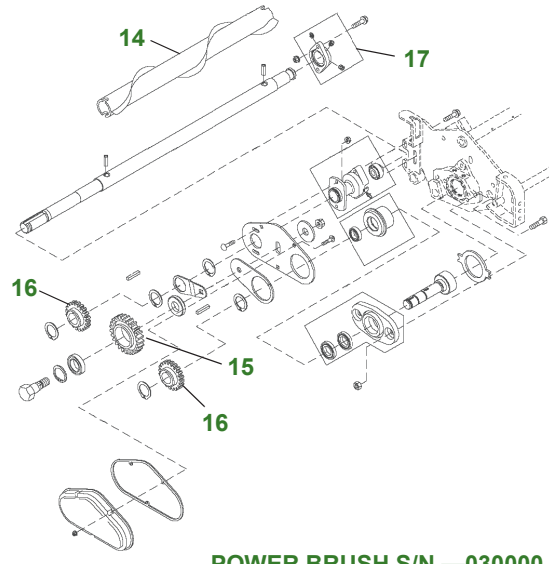


Key	Part No.	Description	Key	Part No.	Description
1	UC18873	BEDKNIFE - STANDARD	BM18481	MACHINED GROOVED SOLID FRONT ROLLER - 2 X 23.5 in.	
	ET17767	BEDKNIFE - FAIRWAY - HI-CUT	BE23416	MACHINED GROOVED SOLID FRONT ROLLER - 2 in. - ATTACHMENT	
	ET17534	BEDKNIFE - TOURNAMENT	13	BM18712	MACHINED GROOVED SOLID FRONT ROLLER WITH SOLID END CAPS - 2 in.
	UC18865	BEDKNIFE - FAIRWAY - LOW-CUT - 7-BLADE	14	BM19817	SPIRAL ROLLER WITH SPIRAL END CAPS - 3 in.
	ET11066	BEDKNIFE - 3.0 mm W/HARDENED INSERT	15	JD8226	BEARING CUP
	UC19154	BEDKNIFE - LOW-CUT - 11-BLADE	16	JD8188	BEARING CONE
	TCU36165	BEDKNIFE - HARDENED LESS AGGRESSIVE LOW-CUT	17	U46731	O-RING
2	21M7194	SCREW	18	ET15726	SLEEVE
3	ET14592	SPRING	19	ET15755	SEAL
4	ET14566	SEAL	20	N101345	LOCK NUT
5	ET16704	RETAINER	21	BM19821	MACHINED SPIRAL ROLLER - 2 in. - ATTACHMENT
6	JD8188	BEARING CONE	22	BTC10267	MACHINED GROOVED ROLLER - 2 in.
7	JD8226	BEARING CUP	23	BM25317	GROOVED DISK ROLLER - 3 in.
8	AMT2883	REEL - 7-BLADE		BM26408	GROOVED DISK ROLLER - 2.5 in.
	AMT2885	REEL - 11-BLADE	24	JD7759	LUBRICATION FITTING
9	TCA22836	BALL BEARING	25	ET17515	ROLLER SHAFT
10	BM18480	HOLLOW SMOOTH ROLLER - 2 in. (FOR USE ON GREENS)	26	MT739	SEAL
	BM18711	MACHINED SMOOTH SOLID FRONT ROLLER - 2 in.	27	AET10632	SEAL KIT
	BM24202	HOLLOW SMOOTH ROLLER - 2 in. (FOR USE ON FAIRWAYS)	28	AMT1286	SPIRAL ROLLER WITH GROOVED END CAPS - 3 in
11	BM23566	ROLLER - MACHINED SPIRAL - 2 in.			
12	BE23416	MACHINED GROOVED SOLID FRONT ROLLER - 2 X 22.5 in.			

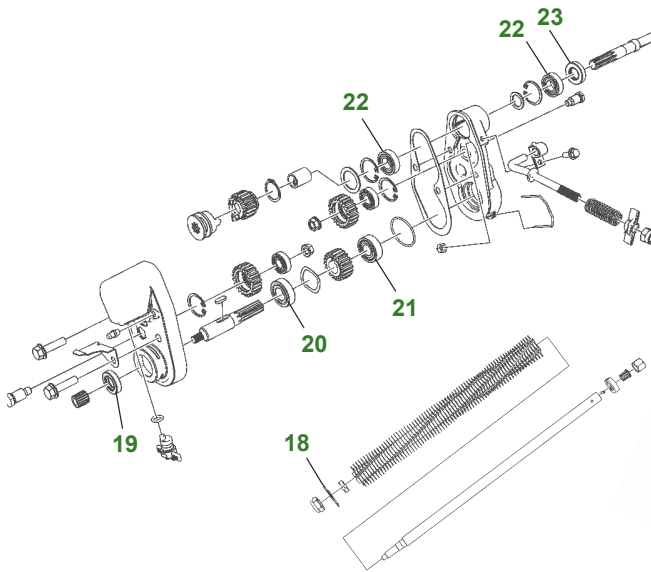
2500B / 2500E Hybrid 22 in. GTC & Power Brush



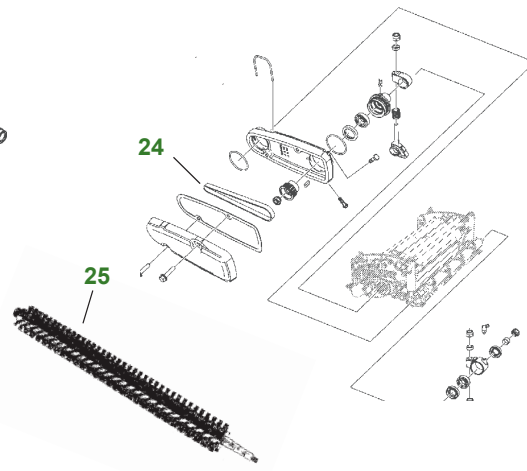
GTC S/N —030000



POWER BRUSH S/N —030000



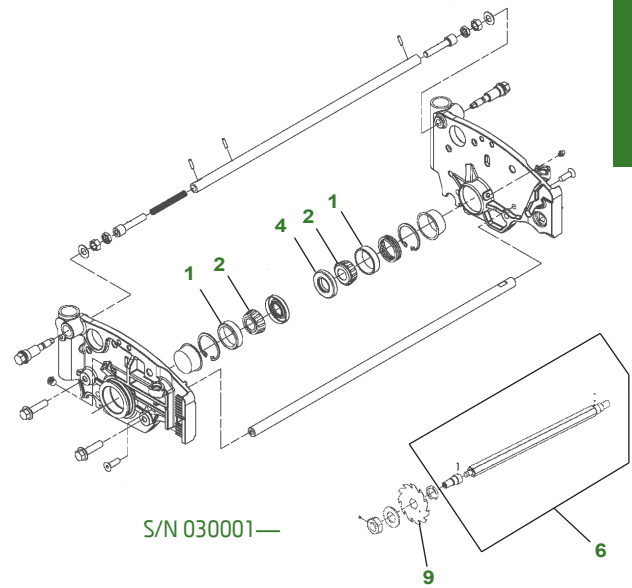
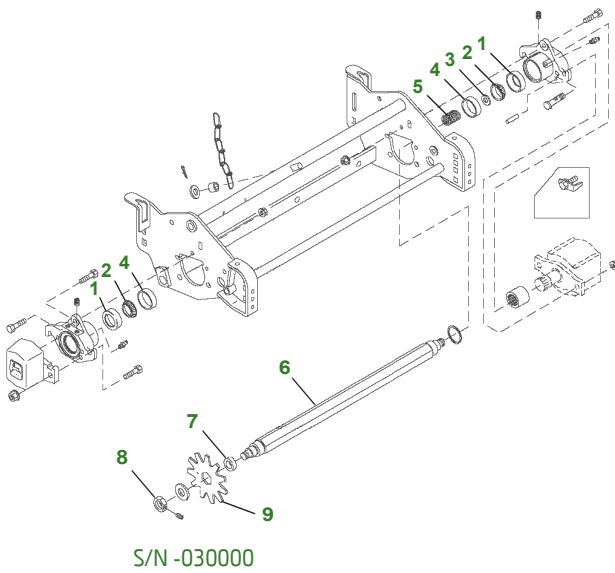
GTC S/N 030001—



POWER BRUSH S/N 030001—

Key	Part No.	Description	Key	Part No.	Description
1	ET16849BOLT	14	AMT2710BRUSH
2	Y3082BNSPRING	15	AMT1650GEAR - IDLER
3	AMT2936ROLL	16	MT2552GEAR - BRUSH DRIVER
4	MT6649SUPPORT	17	AMT1643BALL BEARING
5	ET16848STRAP	18	ET14707BEDKNIFE - GREENS TENDER CONDITIONER
6	ET16750 ADJUSTER		MT2624BEDKNIFE - FAIRWAY TENDER CONDITIONER
7	ET16753 STUD	19	MT2622SEAL
8	MT4633SHAFT	20	JD8653BALL BEARING
9	ET14707 KNIFE - GREENS TENDER CONDITIONER (2.36 in.)	21	M802355BALL BEARING
	MT7266KNIFE - GREENS TENDER CONDITIONER (2.13 in.)	22	TCU24834BALL BEARING
10	MT7280SPACER	23	MT6828SEAL
11	ET16026BALL BEARING	24	TCU32422SYNCHRONOUS BELT
12	ET17658SPACER	25	BTC10775DENSE TURF ROTARY TURF BRUSH
13	ET11039SPUR GEAR			

2500B / 2500E Hybrid 22 in. Vertical Cutting Unit



Key	Part No.	Description	Key	Part No.	Description
1	JD8226BEARING CUP	7	ET17713WASHER
2	JD8188BEARING CONE	8	ET17053NUT
3	ET16704WASHER	9	AMT2703KNIFE - (S/N -030000)
4	ET14566SEAL		TCU26776KNIFE - (S/N 030001-)
5	ET14592SPRING			
6	ET17715SHAFT - (S/N -030000)			
	TCA19344SHAFT - (S/N 030001-)			