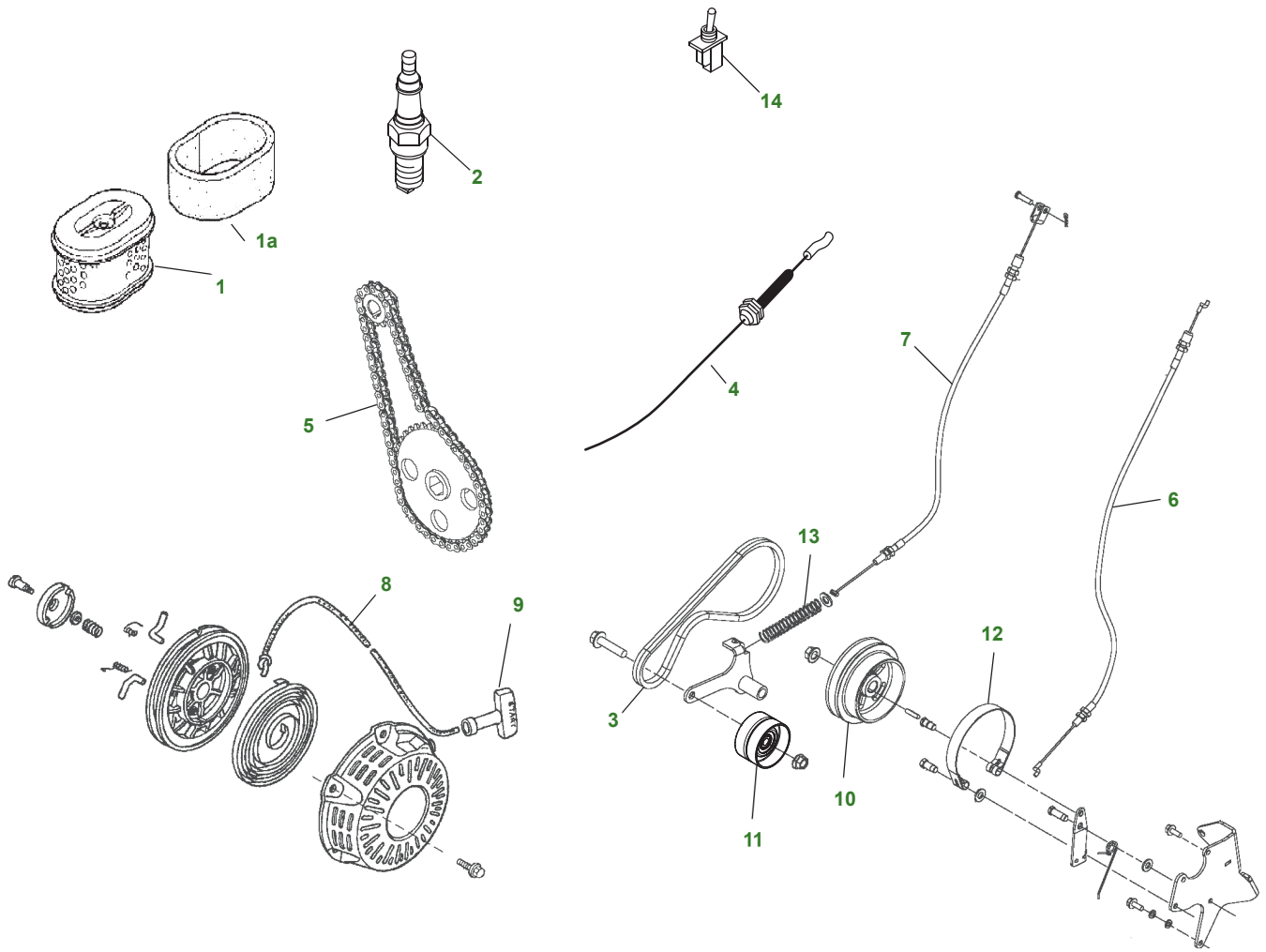


220 E-Cut™ Hybrid Greens Mowers



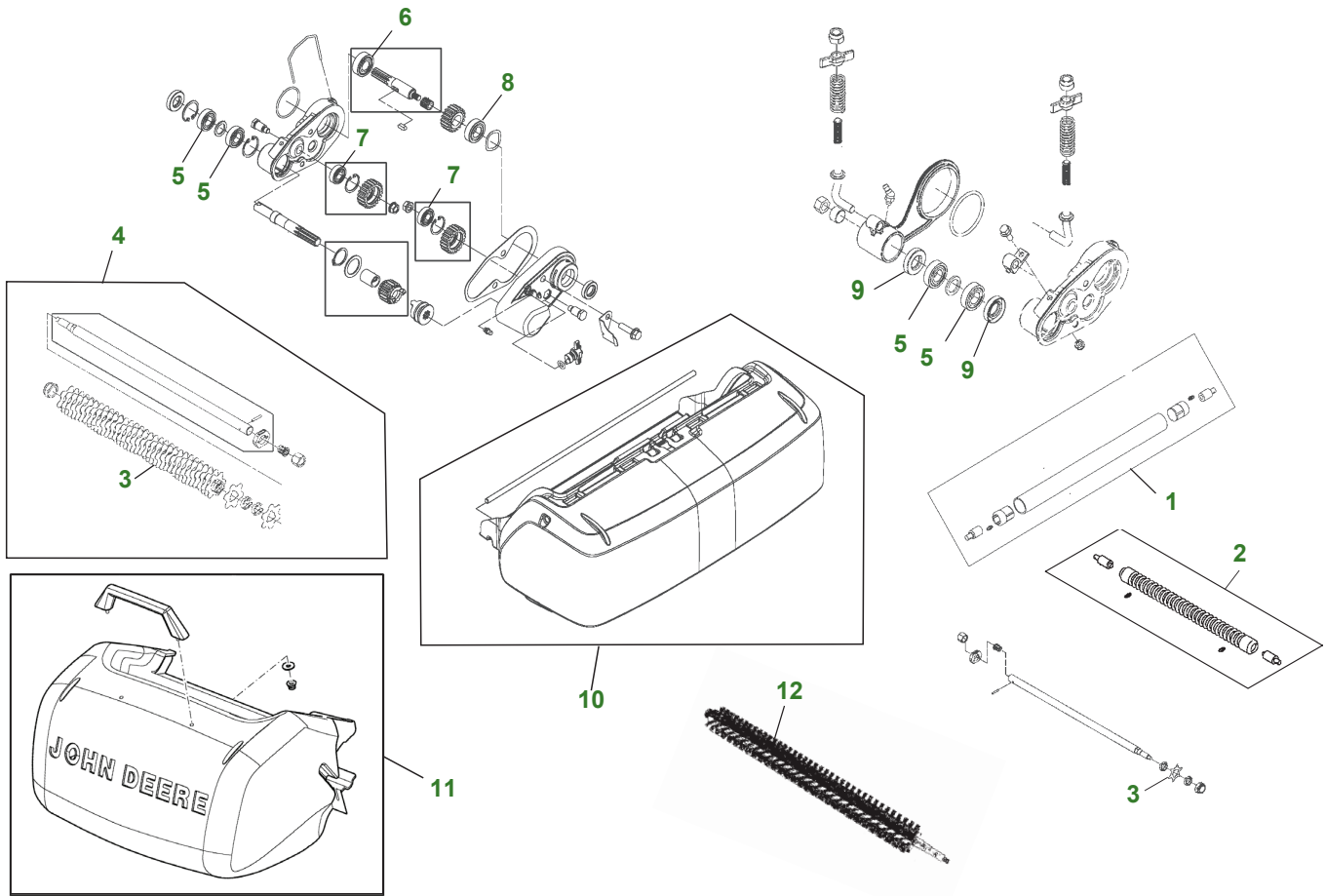
Key	Part No.	Description	Key	Part No.	Description
1	AM123909	AIR FILTER - SECONDARY	8	M128286	ROPE
1a	MIU11464	AIR FILTER - PRIMARY	9	M128285	HANDLE S/N (- 040000)
2	M128206	SPARK PLUG		MIU13872	HANDLE S/N (040001 -)
3	TCU25209	BELT - DRIVE	10	TCU24801	PULLEY
4	AMT1680	PUSH PULL CABLE - THROTTLE	11	AMT758	BELT IDLER
5	TCA16595	CHAIN DRIVE	12	AMT820	BRAKE BAND
6	TCA18547	BRAKE CABLE	13	MT1200	COMPRESSION SPRING
7	TCA18548	CLUTCH CABLE	14	AT106154	TOGGLE SWITCH

Parts Needed in First 250 hours of Operation

Qty	Part No.	Item	Capacity	Interval In Hours
6	TY22029	TURF-GARD™ 10W-30 Engine Oil	0.6 L (0.63 qt)	20/50/100/150/200/250
1	TY6354	Hy-Gard™ Trans Oil	0.14 L (0.3 qt)	50
1	TY6341	Multi Purpose SD Polyurea Grease (Machine components, lift arms and rollers)		As Needed
3	TY25083	John Deere Special Purpose Golf & Turf Cutting Unit Grease (Cutting Unit and Cutting Unit Attachments)		As Needed

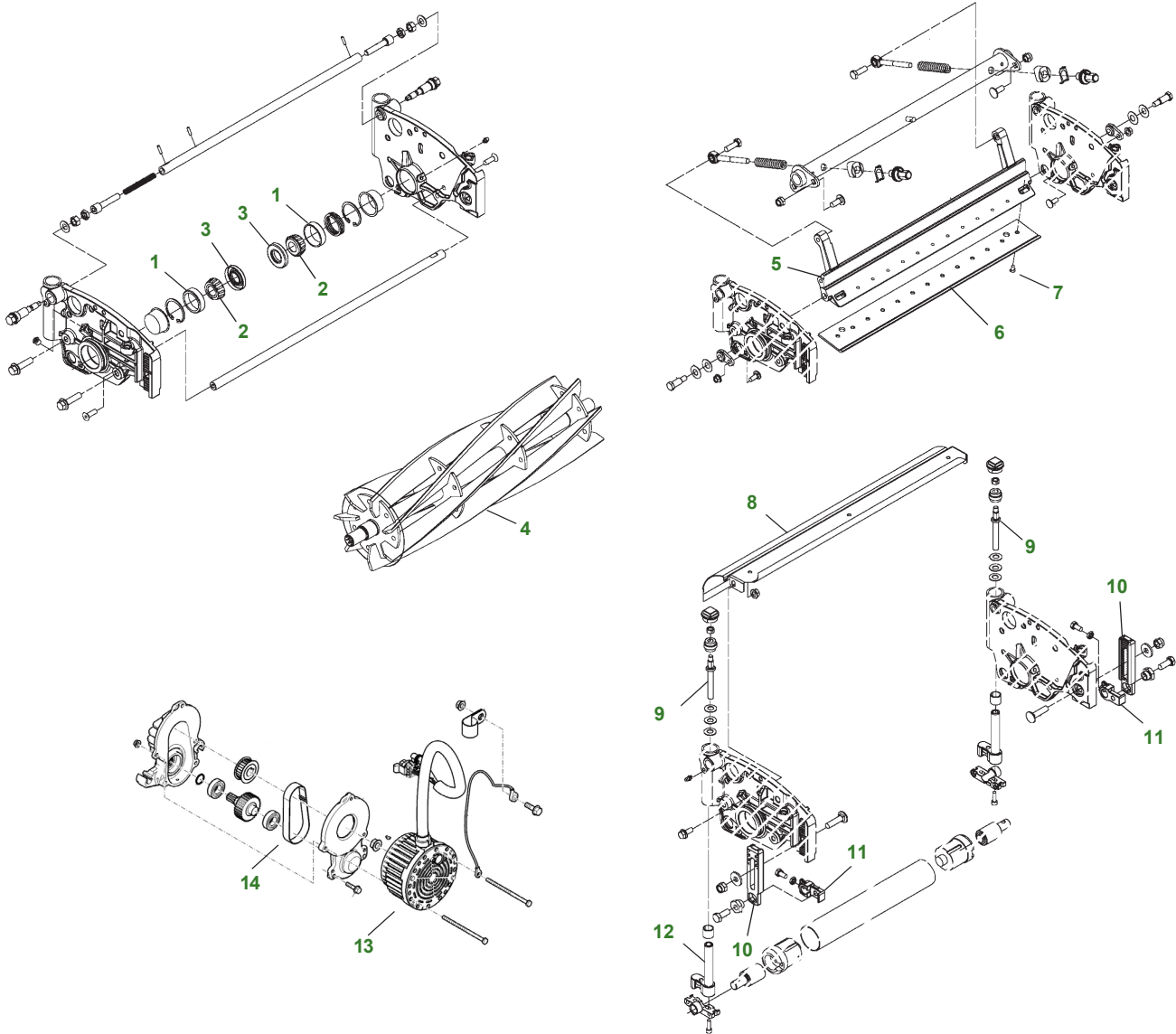
*Refer to Operators Manual for service intervals if using Bio Hy-Gard.

220 E-Cut™ Hybrid FTC and GTC



Key	Part No.	Description	Key	Part No.	Description
ROLLER					
1	BM18480	ROLLER - SMOOTH	6	M802355	BALL BEARING
	BM18711	ROLLER - SMOOTH - SOLID	7	ET16027	BALL BEARING
2	BM18712	ROLLER - MACHINE GROOVED SOLID END CAPS	8	JD8653	BALL BEARING
3	ET14707	KNIFE - GREENS TENDER CONDITIONER	9	MT6828	SEAL
4	BTC10778	CONDITIONER - GREENS TENDER	10	BTC10718	GRASS CATCHER - LOW PROFILE
5	TCU24834	BALL BEARING	11	BTC10726	GRASS CATCHER - DIRECT MOUNT
			12	BM22761	DT ROTARY TURF BRUSH

220 E-Cut™ Hybrid Cutting Unit



Key	Part No.	Description	Key	Part No.	Description
1	JD8226BEARING CUP	7	21M7194SCREW
2	JD8188BEARING CONE	8	TCA19624REEL SHIELD
3	ET14566SEAL	9	TCU24328ADJUSTER
4	TCA19350REEL - 7-BLADE	10	UC16108BRACKET
	TCA19351REEL - 11-BLADE	11	UC18211BRACKET RH (IF USING FTC / GTC)
	TCA23621REEL - 14-BLADE (S/N 050001 -)		BRACKET LH (IF NO FTC / GTC)
5	TCU35968SHOE		BRACKET LH (IF USING FTC / GTC)
6	ET17767BEDKNIFE - FAIRWAY HIGH-CUT		BRACKET RH (IF NO FTC / GTC)
	UC18865BEDKNIFE - FAIRWAY LOW-CUT	12	AUC13512ADJUSTER
	ET11066BEDKNIFE - GREENS	13	AUC10827MOTOR
		W/HARDENED INSERT	14	TCU33535SYNCHRONOUS BELT
	ET17534BEDKNIFE - TOURNAMENT			
	UC19154BEDKNIFE - LOW-CUT			
	UC18873BEDKNIFE - STANDARD			
	TCU36165BEDKNIFE - HARDENED LESS			