

REPLACEMENT PARTS GUIDE

E110 100 Series Tractor

ENGINE



SPARK PLUG
[MIU11020](#)

Yearly / Every 50 Hrs.



OIL FILTER
[AM125424](#)

Yearly / Every 50 Hrs.



ENGINE OIL
[TY22029](#) (Turf-Gard 10W-30)-1.4 L (1.5 qt)

Yearly / Every 50 Hrs.



AIR FILTER
[MIU11511](#)

Yearly / Every 50 Hrs.



JOHN DEERE MULTI-PURPOSE HD LITHIUM COMPLEX GREASE
[TY24416](#)



GREASE GUN
[TY26518](#)

Change As Required.



FUEL FILTER
[AM116304](#)

Yearly / Every 50 Hrs.



HOME MAINTENANCE KIT
[LG262](#)

Yearly / Every 50 Hrs.



TRACTION DRIVE BELT
[UC30568](#) (LGTH = 2258 mm, TK = 9.1 mm,
WIDTH = 12.7 mm)

ELECTRICAL



KEY
[GY20680](#)



HEAD LIGHT BULB
[AD2062R](#) (27 W)



IGNITION SWITCH
[GY20074](#)



BATTERY
[TY25221B](#) (12 V) (FOR CANADA AND USA)
[MCYP340PE](#) (12 V) (NOT FOR CANADA AND USA)

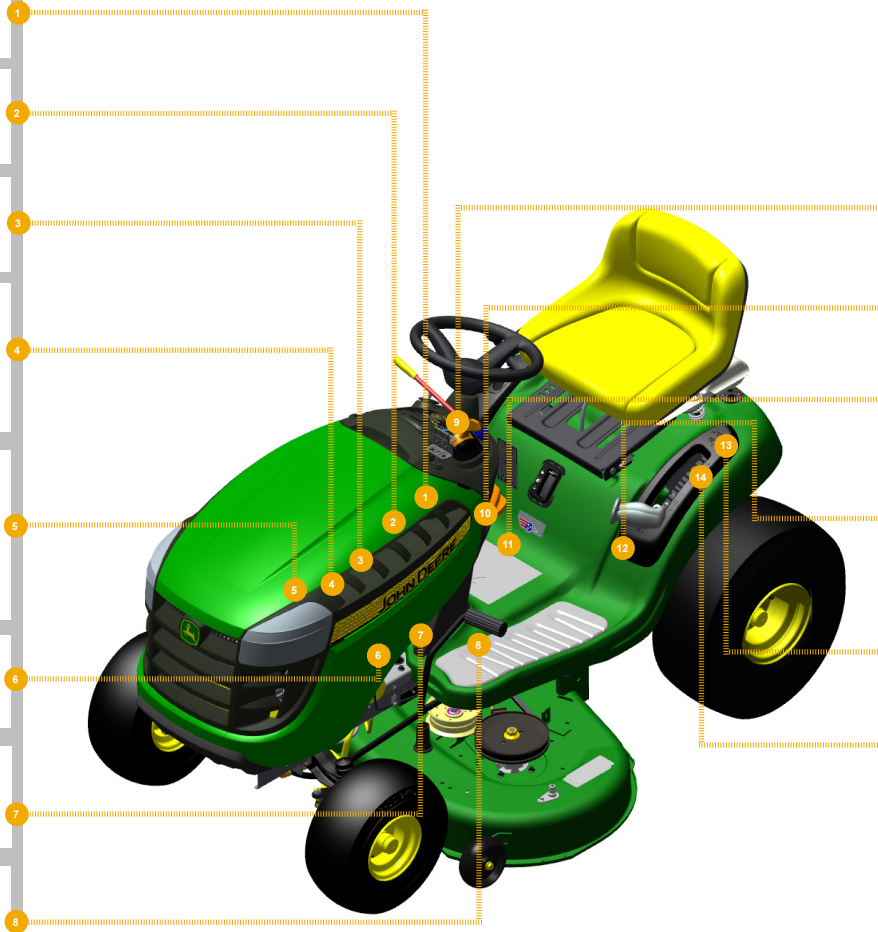
FUEL & AIR



FILLER CAP
[AUC18428](#)



MUFFLER
[GY22156](#)




REPLACEMENT PARTS GUIDE

E110 with 42 inch Convertible Deck

MOWER BLADE

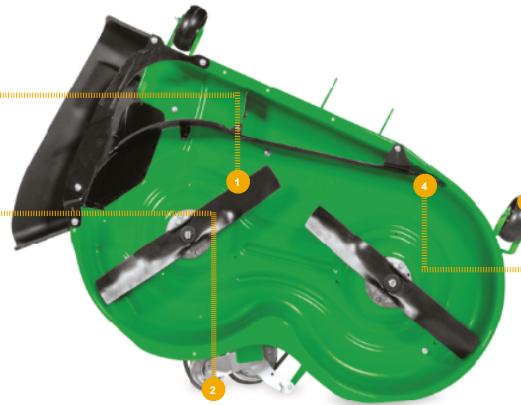
 [UC21583](#)

V BELT

 [UC32283](#) (LGTH = 2635 mm, TK = 10.9 mm, WIDTH = 14.4mm)

MOWER DECK LEVELING GAUGE

 [AM130907](#)



GAGE WHEELS

 [GX10168](#)

MULCH BLADE

 [AM141033](#)