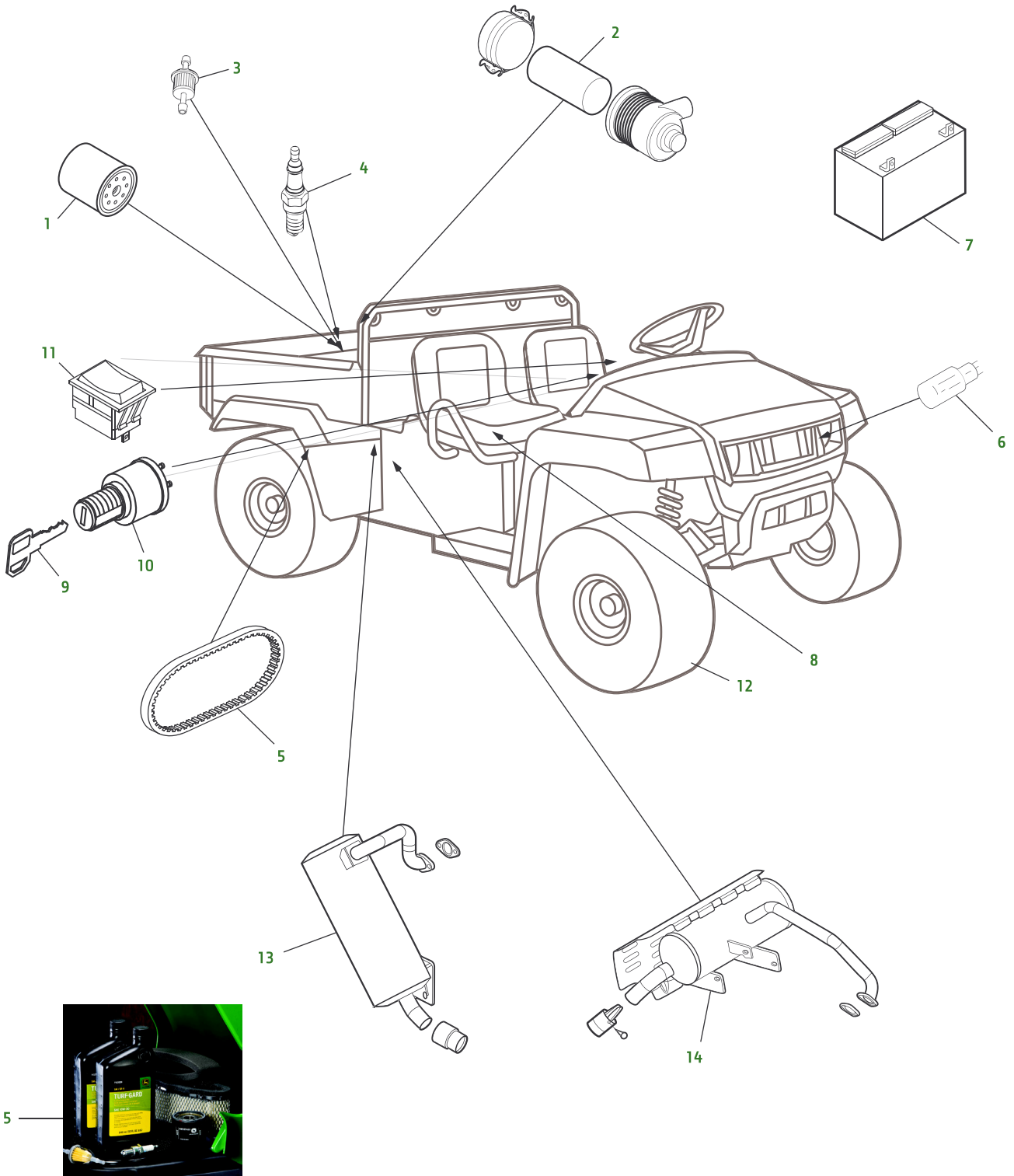


Gator TS / TX



Key	Part No.	Description	Key	Part No.	Description
1	AM107423	OIL FILTER - ENGINE		M170535	TIRE - FRONT - XTREME - TX — 22 X 9.5-10 in. †
2	M113621	AIR FILTER		M178665	TIRE - REAR - ALL PURPOSE - TX — 24 X 10.5-10 in. †
3	AM116304	FUEL FILTER		M170537	TIRE - REAR - ALL PURPOSE - TX — 24 X 10.5-10 in. †
4	M138938	SPARK PLUG - TX		M178663	TIRE - REAR - TURF - TX — 24 X 12-10 in. †
	M138938	SPARK PLUG - TS (EXCEPT FOR FE350D-AS25 ENGINE)		M170539	TIRE - REAR - TURF - TX — 24 X 12-10 in. †
	M802138	SPARK PLUG - TS (FOR FE350D-AS25 ENGINE ONLY)		M178667	TIRE - REAR - AT489 - TX — 24 X 12-10 in. †
5	M174026	BELT - DRIVE	13	M170538	TIRE - REAR - XTREME - TX — 22 X 12-10 in. †
6	AM118013	BULB - HEADLIGHT		AM133410	MUFFLER - TS (S/N -030000)
7	TY25221	BATTERY - DRY		AM140010	MUFFLER - TS (S/N 030001 - 100000)
8	AM133476	SEAT - TS		AM144897	MUFFLER - TS (S/N 100001-)
	VG11696	SEAT - TX (S/N -100000)		M73271	GASKET - TS (S/N -050000)
	AM140211	SEAT - TX (S/N 100001-)		MIU11973	GASKET - TS (S/N 050001-)
9	AM131841	KEY		AM103386	ARRESTOR - TS (S/N -100000)
10	TCA22740	SWITCH - IGNITION		M158299	ARRESTOR - TS (S/N 100001-)
11	AM117324	SWITCH - LIGHT	14	VGA11004	MUFFLER - TX (S/N -050000)
12	M138664	TIRE - FRONT - TS — 22.5 X 10-8 in. †		AM136710	MUFFLER - TX (S/N 050001-)
	M170693	TIRE - FRONT - ALL PURPOSE - TS — 22.5 X 10-8 in. †		M136651	GASKET - TX
	M170694	TIRE - FRONT - TURF - TS — 22.5 X 10-8 in. †		AM108146	ARRESTOR - TX
	R90798	TIRE - FRONT - All Terrain - TS — 22.5 X 10-8 in. †	15	LG248	HOME MAINTENANCE KIT - TS (S/N -100000)
	M170695	TIRE - FRONT - KNOBBY - TS — 22.5 X 10-8 in. †		LG258	HOME MAINTENANCE KIT - TX (S/N -040000)
	M170696	TIRE - REAR - ALL PURPOSE - TS — 25 X 13-9 in. †		LG259	HOME MAINTENANCE KIT - TS (S/N 100001-), TX (S/N 040001-)
	M170696	TIRE - REAR - ALL PURPOSE - TS — 25 X 13-9 in. †			
	M171009	TIRE - REAR - TURF - TS — 25 X 12-9 in. †			
	R90796	TIRE - REAR - All Terrain - TS — 25 X 12-9 in. †			
	M170697	TIRE - REAR - KNOBBY - TS — 25 X 12-9 in. †			
	M151109	TIRE - FRONT - ALL PURPOSE - TX — 22 X 9.5-10 in. †			
	M170534	TIRE - FRONT - ALL PURPOSE - TX — 22 X 9.5-10 in. †			
	M152020	TIRE - FRONT - TURF - TX — 22 X 9.5-10 in. †			
	M169780	TIRE - FRONT - TURF - TX — 22 X 9.5-10 in. †			
	M152019	TIRE - FRONT - AT489 - TX — 22 X 9.5-10 in. †			

† CARLISLE TIRES

‡ WANDA TIRES

Parts Needed in First 250 Hours of Operation

Qty	Part No.	Item	Capacity	Interval In Hours
3 - TX 6 - TS	AM107423	Engine Oil Filter		8/100/200 - TX 8/50/100/150/200/250 - TS
12 - TS 6 - TX	TY22029	Engine Oil Turf-Gard™ 10W30	TS (S/N -100000) 1.2 L (1.26 qt) TS (S/N 100001-) 1.3 L (1.37 qt) TX 1.7 L (1.8 qt)	8/50/100/150/200/250-TS 8/100/200-TX
1	M113621	Air Filter		200
1	AM116304	Fuel Filter		200
1	M138938	Spark Plug TX		200
	M138938	Spark Plug - TS (except for FE350D-AS25 engine)		200
	M802138	Spark Plug - TS (for FE350D-AS25 engine only)		200
1	TY24416	Multi-Purpose HD Lithium Complex Grease		As Needed

Frequently Used Items

Qty	Part No.	Item
1	AM131841	Key - Ignition
1	VGA10167	Filler Cap
1	M174026	Belt - Drive
1	TY26518	Grease Gun