

# Recall Alert

## U.S. Consumer Product Safety Commission

Office of Information and Public Affairs

Washington, D.C. 20207

---

June 18, 2007

Alert #07-558

### Briggs & Stratton Snow Thrower Engines Recalled Due to Fire Hazard

The following product safety recall was conducted by the firm in cooperation with the CPSC. Consumers should stop using the product immediately unless otherwise instructed.

**Name of Product:** Briggs & Stratton OHV Snow Thrower Engines

**Units:** About 480,000

**Manufacturer:** Briggs & Stratton Corp., of Wauwatosa, Wis.

**Hazard:** When the engines are primed, excess fuel can overflow into the carburetor and ignite, posing fire and burn hazards to consumers.

**Incidents/Injuries:** Briggs & Stratton has received 48 reports of fire. There have been no reports of injury. The firm has received one report of minor property damage.

**Description:** The recall includes snow equipment with Briggs & Stratton OHV engines that have model numbers beginning with 12, 15, 20, or 21, and a date of manufacture (DOM) code between 000601xx and 070301xx. The engines were installed on the following brand snow throwers: Ariens, Canadiana, Craftsman, Frontier Equipment, Husqvarna, Poulan Pro, Simplicity and Snapper. The engine model number and DOM information are located on the cylinder shield or rocker cover. Call for more information about determining if your snow thrower engine is included in the recall.

**Sold at:** Various snow thrower dealers nationwide from June 2000 through February 2007 for between \$630 and \$2,350 for the snow thrower.

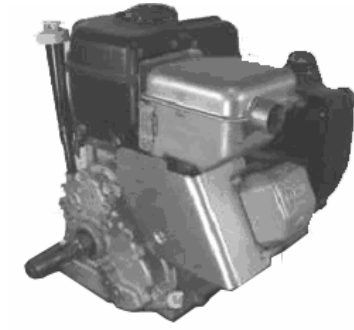
**Manufactured in:** United States

**Remedy:** Consumers should immediately stop using the snow throwers. Call or contact the firms listed below to arrange for the free repair.

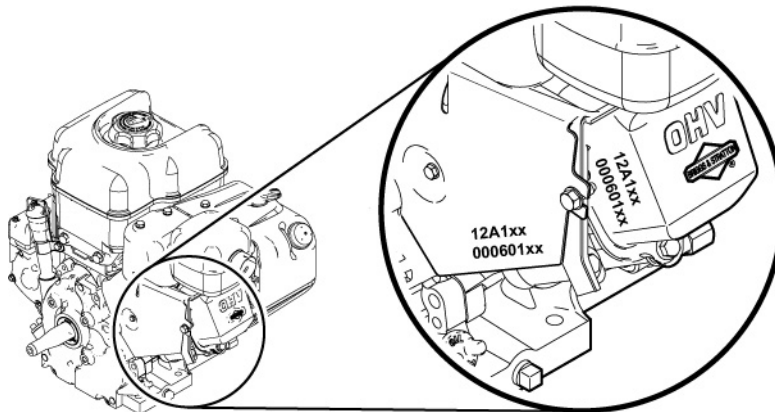
**Customer Contact:** For more information, consumers can contact Briggs & Stratton toll-free at (866) 478-7855 between 8 a.m. and 5 p.m. CT Monday through Friday, or visit the company's Website at [www.briggsandstratton.com](http://www.briggsandstratton.com). Dealers can be found by using the Dealer Locator at Briggs & Stratton's Website. Consumers with Craftsman brand snow throwers should call Sears toll-free at (877) 659-7017 between 7 a.m. and 9 p.m. CT Monday through Saturday.

**Note:** *Keep fuel or equipment with fuel in tank away from furnaces, stoves, water heaters or other appliances that have a pilot light or other ignition source, because they can ignite vapors.*

-more-



## ENGINE MODEL NUMBER LOCATIONS OF AFFECTED BRIGGS & STRATTON ENGINES



*BRIGGS & STRATTON model numbers shown for example purposes only*

[Send the link for this page to a friend!](#) The U.S. Consumer Product Safety Commission is charged with protecting the public from unreasonable risks of serious injury or death from more than 15,000 types of consumer products under the agency's jurisdiction. Deaths, injuries and property damage from consumer product incidents cost the nation more than \$700 billion annually. The CPSC is committed to protecting consumers and families from products that pose a fire, electrical, chemical, or mechanical hazard or can injure children. The CPSC's work to ensure the safety of consumer products - such as toys, cribs, power tools, cigarette lighters, and household chemicals - contributed significantly to the 30 percent decline in the rate of deaths and injuries associated with consumer products over the past 30 years.

To report a dangerous product or a product-related injury, call CPSC's hotline at (800) 638-2772 or CPSC's teletypewriter at (800) 638-8270, or visit CPSC's web site at [www.cpsc.gov/talk.html](http://www.cpsc.gov/talk.html). To join a CPSC email subscription list, please go to [www.cpsc.gov/cpsclist.asp](http://www.cpsc.gov/cpsclist.asp). Consumers can obtain this release and recall information at CPSC's Web site at [www.cpsc.gov](http://www.cpsc.gov).