



PTO Mower - SB1106 SB1107

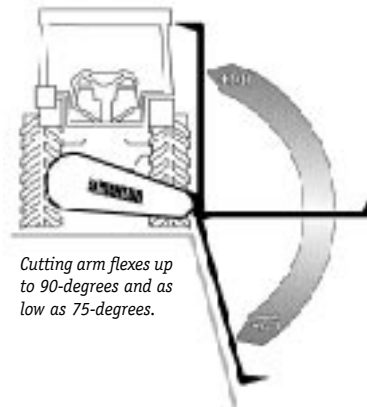


Frontier Sickle-bar Mowers allow the cutter bar and guard to oscillate independently, providing dual-action cutting effects. Cutting arm cuts at ground level, flexing up to 90 degrees, and as low as -75 degrees to handle the most challenging ground conditions.

Bolt-on cutter bar knives can be removed and replaced individually. Adjustable skid shoes on cutter bar make it easy to control working height. Both models are equipped with a hydraulic lifting cylinder. A safety mechanism protects the cutter bar from the impact of obstacles.

Manually offset the mower to keep cutter bar at outside edge of tractor tire. A mowing guide located at end of cutter bar allows you to cut a clear path for your next tractor pass.

SB1106 SB1107



Cutting arm flexes up to 90-degrees and as low as 75-degrees.

specifications

Model	SB1106	SB1107
Working width	69 in.	81 in.
Cutting height	1 - 3 ft.	1 - 3 ft.
Tractor hp. (min.)	25	25
Tractor hp. (max)	55	55
Mowing speed	6.2 - 7.5 mph	6.2 - 7.5 mph
Weight	492 lb.	506 lb.
Drive	Belt	Belt
Tractor PTO speed	540 rpm	540 rpm
Hitch	Cat. 1	Cat. 1
Offset capability	Yes	Yes
Skid shoes	Adjustable	Adjustable
Park stand	Yes	Yes
iMatch compatible	Yes	Yes



This literature has been compiled for worldwide circulation. While general information, pictures and descriptions are provided, some illustration and text may include finance, credit, insurance, product options and accessories NOT AVAILABLE in all regions. PLEASE CONTACT YOUR LOCAL DEALER FOR DETAILS. Frontier Equipment reserves the right to change specifications, design and price of products described in this literature without notice.

Cod. MH00226206 - Litho in Italy (04-11)

FRONTIER
EQUIPMENT