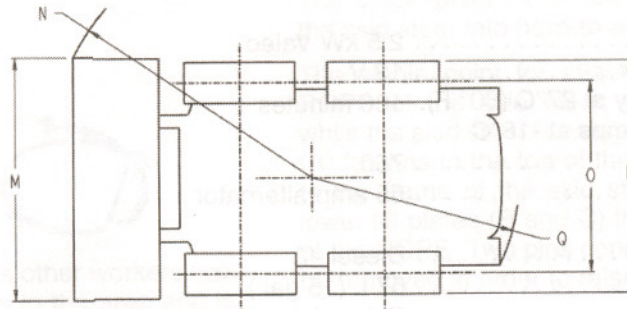
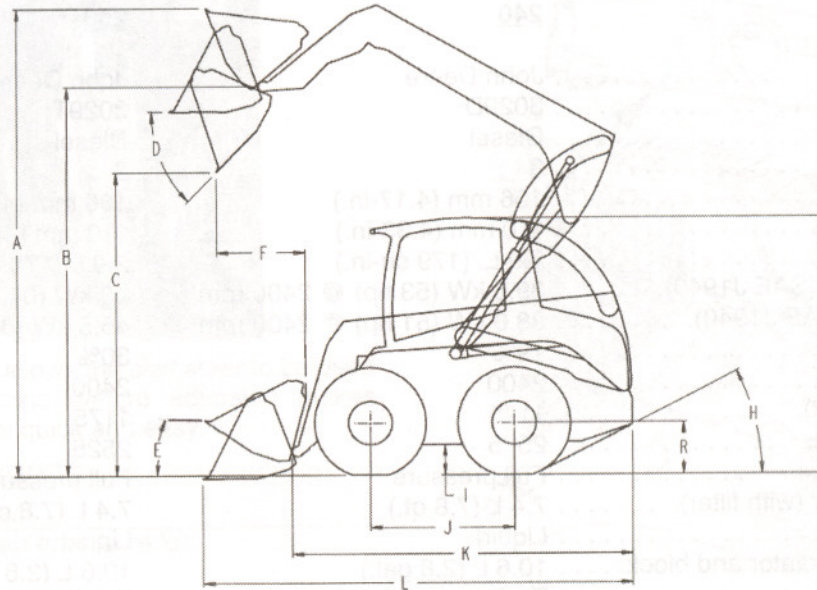


SPECIFICATIONS

	<u>240</u>	<u>250</u>
Engine:		
Make	John Deere	John Deere
Model	3029D	3029T
Type	Diesel	Diesel
Cylinders	3	3
Bore	106 mm (4.17-in.)	106 mm (4.17-in.)
Stroke	110 mm (4.33-in.)	110 mm (4.33-in.)
Displacement	2.9 L (179 cu-in.)	2.9 L (179 cu-in.)
Gross horsepower (SAE J1940)	39.5 kW (53 hp) @ 2400 rpm	48 kW (64.4 hp) @ 2400 rpm
Net horsepower (SAE J1940)	38.0 kW (51 hp) @ 2400 rpm	45.5 kW (61 hp) @ 2400 rpm
Torque rise	19%	30%
RPM, rated	2400	2400
RPM, slow (no load)	1175	1175
RPM, fast (no load)	2575	2525
Lubrication	Full pressure	Full pressure
Crankcase capacity (with filter)	7.4 L (7.8 qt.)	7.4 L (7.8 qt.)
Cooling system	Liquid	Liquid
Coolant capacity radiator and block	10.6 L (2.8 gal.)	10.6 L (2.8 gal.)
Air filter type	Dry paper with primary & secondary elements	Dry paper with primary & secondary elements
Electrical:		
Type of starter	2.5 kW Valeo	2.5 kW Valeo
Battery voltage	12 V	12 V
Battery reserve capacity at 27°C (80° F)	180 minutes	180 minutes
Battery cold cranking amps at -18°C (0°F)	750	750
Charging system	55 amp alternator	55 amp alternator
Fuel System:		
Fuel	Diesel #2	Diesel #2
Capacity	57 L (15 gal.)	57 L (15 gal.)
Fuel delivery	Rotary injection	Rotary injection
Fuel shut-off	Fuel shutoff solenoid in injection pump	Fuel shutoff solenoid in injection pump
Powertrain:		
Type	Variable displacement	Variable displacement
Brakes	Wet disks on hydrostatic motor shaft-SAHR (spring-applied, hydraulic-release)	Wet disks on hydrostatic motor shaft-SAHR (spring-applied, hydraulic-release)
Steering:		
Type	Hydrostatic	Hydrostatic
Hydraulics:		
Main system relief pressure	21374 kPa (3100 psi)	21374 kPa (3100 psi)
Hydraulic pump (standard flow)	55.3 lpm (14.6 gpm)	66.6 lpm (17.6 gpm)
Hydraulic pump (high flow)	96.1 lpm (25.4 gpm)	113.9 lpm (30.1 gpm)
Hydraulic valve	3 spool open center	3 spool open center
Hydraulic system capacity	23 L (6 gal.)	23 L (6 gal.)
Built-in boom locks	Yes	Yes
Self-leveling	Optional - hydraulic	Optional - hydraulic
Performance:		
SAE rated operating capacity	681 kg (1500 lb.)	794 kg (1750 lb.)
SAE rated operating capacity with optional counterweight kit	907 kg (2000 lb.)	953 kg (2100 lb.)
SAE breakout force (bucket)	2495 kg (5500 lb.)	2495 kg (5500 lb.)
SAE breakout force (boom)	1406 kg (3100 lb.)	1406 kg (3100 lb.)
Ground speed	10.8 km/h (6.7 mph)	10.9 km/h (6.8 mph)
Axle torque	6031 N•m (4448 lb-ft)	6406 N•m (4725 lb-ft)
SAE operating weight	2796 kg (6165 lb.)	2835 kg (6250 lb.)
SAE tipping load	1542 kg (3400 lb.)	1633 kg (3600 lb.)

DIMENSIONS



CSM5956

	240	250
A. Overall Operating Height - mm (in.)	3599 (141.7)	3637 (143.2)
B. Height to Hinge Pin - mm (in.)	2895 (114)	2925 (115.2)
C. Dump Height - mm (in.)	2255 (88.8)	2290 (90.2)
D. Dump Angle - degrees.	45	45
E. Bucket Rollback - degrees.	35	35
F. Dump Reach - mm (in.)	738 (29.1)	715 (28.1)
G. Height to ROPS - mm (in.)	1915 (75.4)	1950 (76.8)
H. Angle of Departure - degrees.	27	27
I. Ground Clearance - mm (in.)	209 (8.2)	244 (9.6)
J. Wheelbase - mm (in.)	1075 (42.3)	1075 (42.3)
K. Overall Length less Bucket - mm (in.)	2591 (102)	2591 (102)
L. Overall Length with Bucket - mm (in.)	3196 (125.8)	3196 (125.8)
M. Overall Width with Bucket - mm (in.)	1676 (66)	1829 (72)
N. Turning Radius (Front) - mm (in.)	2004 (78.9)	2004 (78.9)
O. Wheel Tread - mm (in.)	1364 (53.7)	1440 (56.7)
P. Overall Width less Bucket - mm (in.)	1618 (63.7)	1776 (69.9)
Q. Turning Radius (Rear) - mm (in.)	1559 (61.4)	1559 (61.4)
R. Height to Axle Center Point - mm (in.)	363 (14.3)	396 (15.6)

Notes:

- 1) Performance based on skid steer equipped with 10.00x16.5 SKS Extra-Wall heavy-duty (240) or 12.00x16.5 SKS standard-duty (250) tires, auxiliary boom hydraulics, 66-in. (240) and 72-in. (250) foundry bucket, full fuel tank, and 75 kg (165 lb.) operator per SAE Standard J732.
- 2) Various dimensions for skid steers equipped with non-standard buckets or tires can be found on the charts at the end of this section.