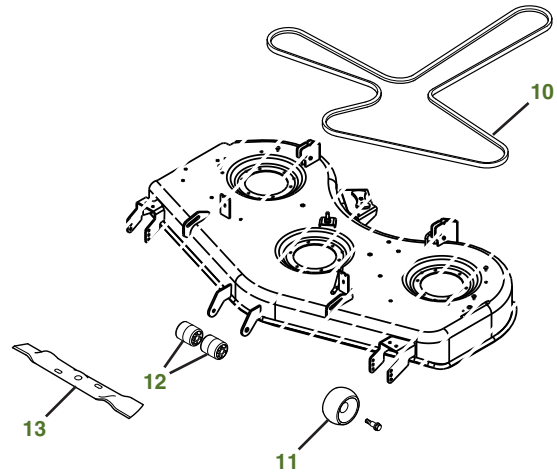
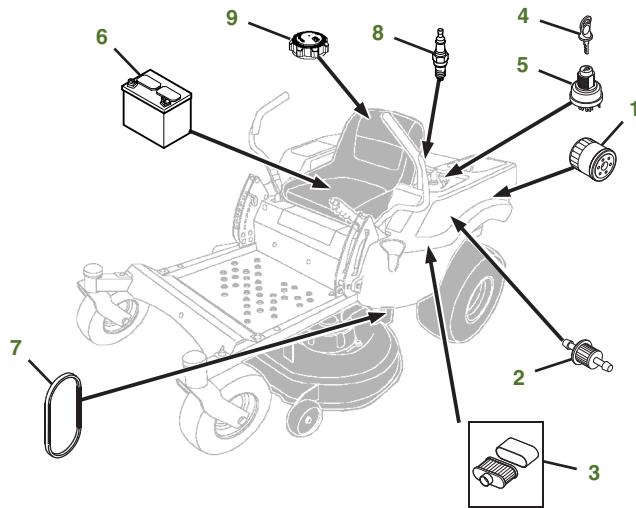


MAINTENANCE REMINDER SHEET

Z540R with 60" High Capacity Deck



Tractor S/N

Deck S/N

Key	Part No.	Description	Key	Part No.	Description
1	AM125424	ENGINE OIL FILTER	8	M805853	SPARK PLUG
2	AM116304	FUEL FILTER-IN-LINE	9	AM146138	FUEL CAP
3	MIU12554	AIR FILTER-FOAM	10	M172963	BELT-MOWER
	MIU12555	AIR FILTER-PAPER	11	TCU18744	GAGE WHEEL
4	AUC12681	KEY	12	M113955	FRONT ROLLER
5	TCA22740	IGNITION SWITCH (SN - 080000)	13	M163983	BLADE-SIDE DISCHARGE 60"
	AUC12631	IGNITION SWITCH (SN 080001 -)		M168223	BLADE-MULCH
6	TY25878	BATTERY		BM25258	MULCHCONTROL™ KIT
7	M172116	BELT-TRAC DRIVE			

Parts Needed in First 250 Hours of Operation

Qty	Part No	Item	Qty or Capacity	Change Interval In Hours
11	TY22029	Engine Oil Turf-Gard™ 10W30	2.1 L (2.2 qt)	50/100/150/200/250
5	AM125424	Engine Oil Filter	1	50/100/150/200/250
2	MIU12554 and MIU12555	Air Filter - Foam Air Filter - Paper	1	100/200
2	AM116304	Fuel Filter	1	100/200
4	M805853	Spark Plug	2	100/200
2	TY24416	John Deere Multi-Purpose HD Lithium Complex Grease		As Needed

"As Needed" Parts

Qty	Part No	Item
1	AM130907	Mower Deck Leveling Gauge
1	TY26518	Grease Gun

Home Maintenance Kit

Unit	Kit Number
Z540R	LG265

CLICK PART NUMBER TO BUY