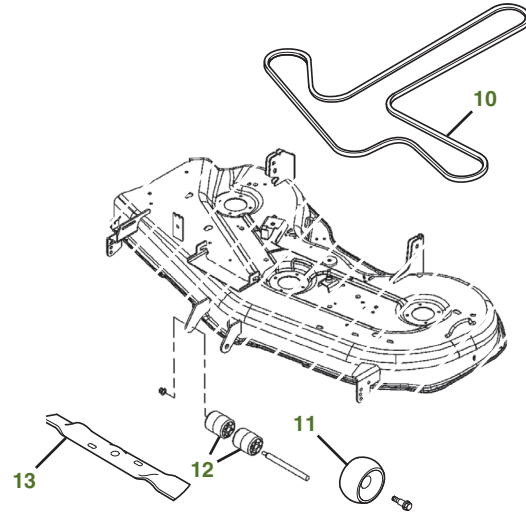
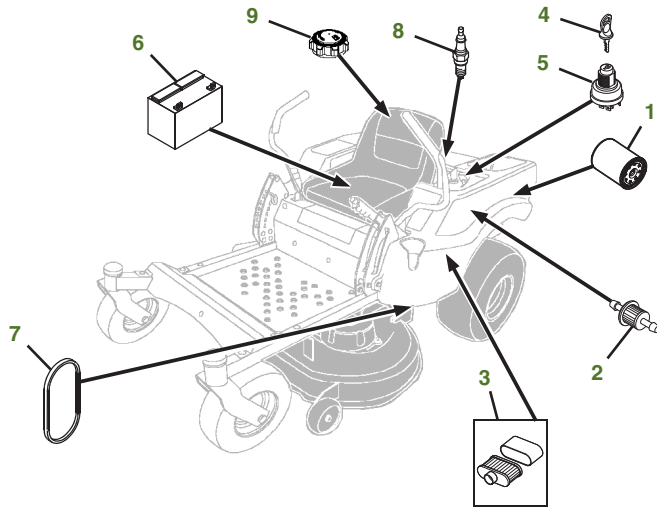


MAINTENANCE REMINDER SHEET

Z540M with 62" Edge Deck



Tractor S/N

Deck S/N

| Key | Part No. | Description | Key | Part No. | Description |
|-----|--------------------------|-------------------------------|-----|--------------------------|--------------------------|
| 1 | AM125424 | ENGINE OIL FILTER | 8 | M805853 | SPARK PLUG |
| 2 | AM116304 | FUEL FILTER-IN-LINE | 9 | AM146138 | FUEL CAP |
| 3 | MIU12554 | AIR FILTER-FOAM | 10 | M172963 | BELT-MOWER |
| | MIU12555 | AIR FILTER-PAPER | 11 | TCU18744 | GAGE WHEEL |
| 4 | AUC12681 | KEY | 12 | M113955 | FRONT ROLLER |
| 5 | TCA22740 | IGNITION SWITCH (SN - 080000) | 13 | M158112 | BLADE-SIDE DISCHARGE 62" |
| | AUC12631 | IGNITION SWITCH (SN 080001-) | | M145719 | BLADE-MULCHING 62" |
| 6 | TY25878 | BATTERY | | BM21890 | MULCH KIT |
| 7 | M172116 | BELT-DRIVE | | | |

Parts Needed in First 250 Hours of Operation

| Qty | Part No | Item | Qty or Capacity | Change Interval In Hours |
|-----|--------------------------|---|-----------------|--------------------------|
| 11 | TY22029 | Engine Oil Turf-Gard™ 10W30 | 2.1 L (2.2 qt) | 50/100/150/200/250 |
| 5 | AM125424 | Engine Oil Filter | 1 | 50/100/150/200/250 |
| 2 | MIU12554 | Air Filter-Foam | 1 | 100/200 |
| 2 | MIU12555 | Air Filter-Paper | 1 | 100/200 |
| 2 | AM116304 | Fuel Filter | 1 | 100/200 |
| 4 | M805853 | Spark Plug | 2 | 100/200 |
| 2 | TY24416 | John Deere Multi-Purpose HD Lithium Complex Grease | | As Needed |

"As Needed" Parts

| Qty | Part No | Item |
|-----|--------------------------|---------------------------|
| 1 | AM130907 | Mower Deck Leveling Gauge |
| 1 | TY26518 | Grease Gun |

Home Maintenance Kit

| Unit | Kit Number |
|-------|-----------------------|
| Z540M | LG265 |

CLICK PART NUMBER TO BUY