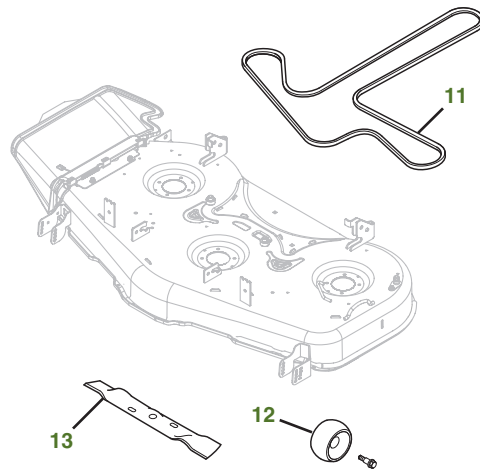
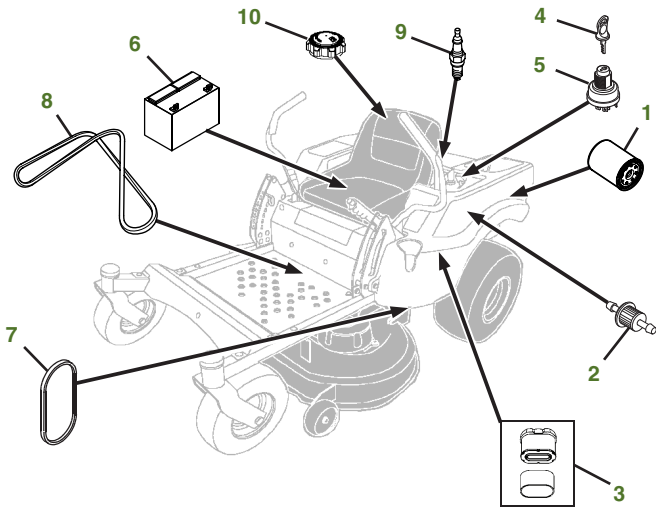


# MAINTENANCE REMINDER SHEET

## Z525E with 48" Accel Deep™ Deck



Tractor S/N

Deck S/N

Key	Part No.	Description	Key	Part No.	Description
1	<a href="#">AM125424</a>	ENGINE OIL FILTER Use with Marked Engine 44S6770026G / 44U6770001G1/40S8770018B / 44U8770013G1/40U8770006B1/ 40U8770015B1	6	<a href="#">TY25221</a>	BATTERY
	<a href="#">UC21247</a>	ENGINE OIL FILTER Use with Marked Engine 40U8770019B5	7	<a href="#">M172116</a>	BELT-DRIVE
2	<a href="#">AM116304</a>	FUEL FILTER-IN-LINE	8	<a href="#">M147044</a>	BELT-POWER FLOW
3	<a href="#">MIU11515</a>	AIR FILTER-CART	9	<a href="#">MIU11020</a>	SPARK PLUG
	<a href="#">MIU11517</a>	AIR FILTER-PRE CLN	10	<a href="#">AM146138</a>	FUEL CAP
4	<a href="#">AUC12681</a>	KEY	11	<a href="#">GX25998</a>	BELT-MOWER
5	<a href="#">TCA22740</a>	IGNITION SWITCH S/N ( - 080000)	12	<a href="#">CX10168</a>	GAGE WHEEL
	<a href="#">AUC12631</a>	IGNITION SWITCH S/N (080001-)	13	<a href="#">M145476</a>	BLADE-SIDE DISCHARGE 48"
				<a href="#">M127673</a>	BLADE-MULCHING 48"
			14	<a href="#">BM24993</a>	MULCHCONTROL™ KIT

### Parts Needed in First 250 Hours of Operation

Qty	Part No	Item	Qty or Capacity	Change Interval In Hours
10	<a href="#">TY22029</a>	Engine Oil Turf-Gard™ 10W30	1.9 L (2 qt)	50/100/150/200/250
5	<a href="#">AM125424</a>	Engine Oil Filter Use with Marked Engine 44S6770026G / 44U6770001G1/ 40S8770018B / U8770013G1/ 40U8770006B1/ 40U8770015B1	1	50/100/150/200/250
	<a href="#">UC21247</a>	Engine Oil Filter Use with Marked Engine 40U8770019B5		
2	<a href="#">MIU11515</a>	Air Filter-Cartridge	1	100/200
2	<a href="#">MIU11517</a>	Air Filter-Pre Cleaner	1	100/200
2	<a href="#">AM116304</a>	Fuel Filter	1	100/200
4	<a href="#">MIU11020</a>	Spark Plug	2	100/200
2	<a href="#">TY24416</a>	John Deere Multi-Purpose HD Lithium Complex Grease		As Needed

### "As Needed" Parts

Qty	Part No	Item
1	<a href="#">AM130907</a>	Mower Deck Leveling Gauge
1	<a href="#">TY26518</a>	Grease Gun

### Home Maintenance Kit

Unit	Kit Number
Z525E	<a href="#">LC268</a>

CLICK PART NUMBER TO BUY