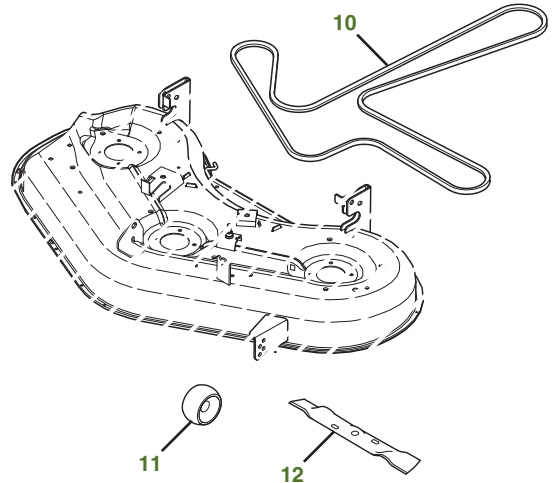
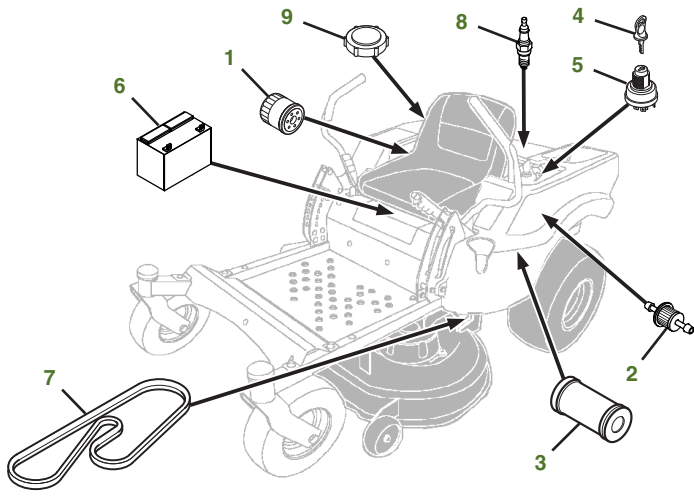


MAINTENANCE REMINDER SHEET

Z355E with 48" Edge Deck / Accel Deep™



Tractor S/N

Deck S/N

Key Part No.Description

- 1 [AM125424](#).....ENGINE OIL FILTER
- 2 [AM116304](#).....FUEL FILTER-IN-LINE
- 3 [MIU14395](#).....AIR FILTER
- 4 [AUC12681](#).....KEY
- 5 [TCA22740](#).....IGNITION SWITCH (S/N -080000)
- [AUC12631](#).....IGNITION SWITCH (S/N 080001 -)
- 6 [TY25221](#).....BATTERY
- 7 [GX26401](#).....BELT-TRACTION DRIVE
- 8 [MIU11020](#).....SPARK PLUG
- 9 [GX23465](#).....FUEL CAP
- 10 [GX21833](#).....BELT MOWER - EDGE DECK (S/N -050000)
- [GX26422](#).....BELT-MOWER - Accel Deep™(S/N 050001-)

Key Part No.Description

- 11 [GX10168](#).....GAGE WHEEL
- 12 [AM141035](#).....KIT-STANDARD BLADE 48" EDGE DECK (S/N -050000)
- [AM141036](#).....KIT-HIGH LIFT BAGGING BLADE 48" EDGE DECK (S/N -050000)
- [M145476](#).....BLADE-SIDE DISCHARGE 48" Accel Deep™ Deck (S/N 050001-)
- [M127673](#).....BLADE-MULCHING 48"Accel Deep™ Deck (S/N 050001-)
- [GY20417](#).....MULCH KIT - 48" EDGE DECK (S/N -050000)
- [BM24993](#).....MULCHCONTROL™ KIT - 48"Accel Deep™ Deck (050001-)

Parts Needed in First 250 Hours of Operation

Qty	Part No	Item	Qty or Capacity	Change Interval In Hours
10	TY22029	Engine Oil Turf-Gard™ 10W30	1.9 L (2 qt)	50/100/150/200/250
5	AM125424	Engine Oil Filter	1	50/100/150/200/250
2	MIU14395	Air Filter	1	100/200
2	AM116304	Fuel Filter-In-Line	1	100/200
4	MIU11020	Spark Plug	2	100/200
2	TY24416	John Deere Multi-Purpose HD Lithium Complex Grease		As Needed

"As Needed" Parts

Qty	Part No	Item
1	AM130907	Mower Deck Leveling Gauge
1	TY26517	Grease Gun

Home Maintenance Kit

Unit	Kit Number
Z355E	LG276

CLICK PART NUMBER TO BUY