

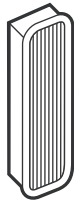
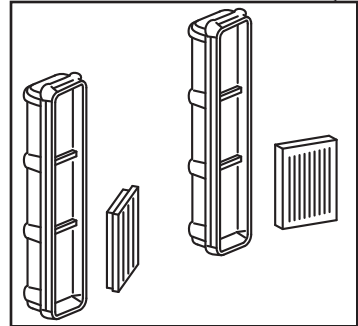
FILTER OVERVIEW WITH SERVICE INTERVALS AND CAPACITIES

7030 Series Premium Tractors - 7130, 7230, 7330, 7430 and 7530

CAB

ACTIVATED CARBON AIR FILTER – [L209778](#) (2)
– [AL158986](#) (1)

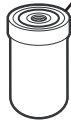
Never clean. Replace after every 500 hours or 1 year or with Engine Primary Air Filter, whichever occurs first.



CAB

FRESH AIR FILTER – [AL177184](#) (2)

Clean after every 250 hours or as required. Replace after 1500 hours or 2 years or with Engine Primary Air Filter, whichever occurs first.



HYDRAULICS

OIL FILTER – [AL169573](#)

Replace after first 100 hours, then after first 750 hours and every 750 hours thereafter. Also replace Transmission Oil Filter.

(Click here for [capacity](#))

TRANSMISSION

OIL FILTER – [AL156625](#)

– [AL206482](#) - IVT™

Replace after first 100 hours, then after first 750 hours and every 750 hours thereafter. Also replace Hydraulic Oil Filter.

(Click here for [capacity](#))

CAB

RECIRCULATION CAB FILTER

– [L155288](#) (2) - w/ air conditioning
– [L152026](#) (2) - w/o air conditioning

Clean after every 250 hours or as required. Replace after every 1500 hours or 2 years or with Engine Primary Air Filter, whichever occurs first.

ENGINE

PRIMARY ENGINE AIR (7130) – [AL172780](#)

PRIMARY ENGINE AIR (7230 – 7530)

– [AL172781](#) (Lgth. 284 mm) – (7230 – 7530) (S/N -020000)
– [AL172780](#) (Lgth. 183 mm) – (7230 – 7530) (S/N 020001-)

Clean Primary Air Filter after every 250 hours or as required up to five times. Replace thereafter, or after 1500 hours or 2 years whichever occurs first.

SECONDARY ENGINE AIR (7130 – 7530) – [AL150288](#)

Replace Secondary Air Filter at every fifth change of Primary Air Filter, or after every 1500 hours, whichever occurs first.

ENGINE

OIL FILTER – [RE504836](#)

Replace after first 100 hours, then after first 500 hours and every 500 hours thereafter or annually, whichever occurs first.

The extended 500 hour interval is only allowed if using Plus-50™ II oil, JD OEM Oil Filter and diesel fuel with sulfur content less than 15mg/kg (15 ppm).

Change Oil and Filter after every 250 hours, if conditions are not met.

(Click here for [capacity](#))

ENGINE

PRIMARY FUEL FILTER (7130) – [RE541922](#) - ESN 6068HRW72

- ESN 6068HRW73

– [RE546336](#) - ESN 4045HRW50

- ESN 4045HRW51

PRIMARY FUEL FILTER (7230-7530) – [RE541922](#)

Replace after every 500 hours.

SECONDARY FUEL FILTER (7130) – [RE522878](#) - ESN 6068HRW72

- ESN 6068HRW73

– [RE526557](#) - ESN 4045HRW50

- ESN 4045HRW51

SECONDARY FUEL FILTER (7230-7530) – [RE522878](#)

Replace after every 500 hours.



JOHN DEERE

Genuine Parts and Service

CAPACITIES

7030 Series Premium Tractors - 7130, 7230, 7330, 7430 and 7530

CAPACITIES (Approximate):

Fuel Tank:

| | |
|-----------------|------------------|
| 7130-7230 | 207 L (54.7 gal) |
| 7330..... | 250 L (66 gal) |
| 7330..... | 325 L (85.9 gal) |
| 7430-7530 | 350 L (92.5 gal) |

Cooling System:

Cool-Gard™ II

| | |
|-----------------|------------------|
| 7130..... | 29 L (7.7 gal) |
| 7230-7330 | 33.6 L (8.9 gal) |
| 7430-7530 | 35.6 L (9.4 gal) |

Crankcase:

Plus-50™

| | |
|---------------------------|------------------|
| 7130..... | 16 L (4.2 gal) |
| 7230-7330-7430-7530 | 19.5 L (5.2 gal) |

Front PTO:

Hy-Gard™

| | |
|-------|-----------------|
| | 3.5 L (0.9 gal) |
|-------|-----------------|

Transmission and Hydraulic System:

Hy-Gard™

| | |
|--------------------------------------|-----------------|
| 7130-7230 PowrQuad™ Plus | 52 L (13.7 gal) |
| 7330-7430-7530 PowrQuad™ Plus | 56 L (14.8 gal) |
| 7130-7230 AutoQuad™ Plus | 52 L (13.7 gal) |
| 7330-7430-7530 AutoQuad™ Plus | 56 L (14.8 gal) |
| 7130-7230 IVT™ | 60 L (15.9 gal) |
| 7330-7430-7530 IVT™ | 66 L (17.4 gal) |
| Extra with Creeper Transmission..... | 1 L (0.3 gal) |
| Extra with Front-Wheel Drive..... | 3 L (0.8 gal) |
| Extra with TLS™ Axle | 3 L (0.8 gal) |

Front-Wheel Drive:

Hy-Gard™

| | |
|--------------------|-----------------|
| Axle Housing | 8.2 L (2.2 gal) |
| Final Drives..... | 1.7 L (0.4 gal) |

[Return to Filter Overview](#)

