

# REPLACEMENT PARTS GUIDE

## X940 Signature Series Tractor

### ENGINE



#### OIL FILTER [M806418](#)

Every 200 hrs / Annually.

#### ENGINE OIL WITH FILTER

[TY26674](#) (Plus-50™ II 15W-40 2.9 L (3.1 qt))

Every 200 hrs / Annually.



#### FUEL FILTER

[MIU804763](#)

Every 200 hrs / Annually.



#### AIR FILTER

[M113621](#) (PRIMARY)

Every 200 hrs / Annually.

[M123378](#) (SECONDARY)

Every 200 hrs / Annually.



#### JOHN DEERE MULTI-PURPOSE HD LITHIUM COMPLEX GREASE

[TY24416](#)

#### GREASE GUN

[TY26518](#)

Change As Required.



#### HOME MAINTENANCE KIT

[AUC17071](#)



### ELECTRICAL



KEY  
[GY20680](#)



IGNITION SWITCH  
[AM133596](#)



HEAD LIGHT BULB  
[AM118013](#) (37.5 W)



BATTERY  
[TY25221B](#) (12 V) (FOR CANADA AND USA)  
[MCYP340PE](#) (12 V) (NOT FOR CANADA AND USA)

### FUEL & AIR



FILLER CAP  
[M802715](#)



MUFFLER  
[AM141957](#)

# REPLACEMENT PARTS GUIDE

## X940 With 48 Inch Accel Deep Deck



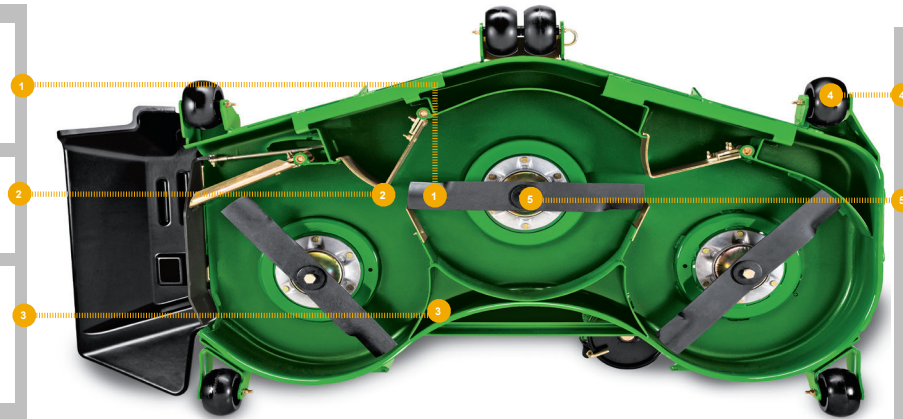
**MOWER BLADE**  
[UC22009](#)



**MULCH BLADE**  
[UC25185](#)



**V - BELT**  
[M172662](#) (LGTH = 2715 mm,  
WIDTH = 16.67 mm and  
TK = 13.5 mm)



**GAGE WHEEL**  
[AM125172](#)



**ROLLER**  
[M113955](#)



**DECK LEVELING TOOL**  
[AM130907](#)

# REPLACEMENT PARTS GUIDE

## X940 With 54 Inch Edge™ High-Capacity Deck



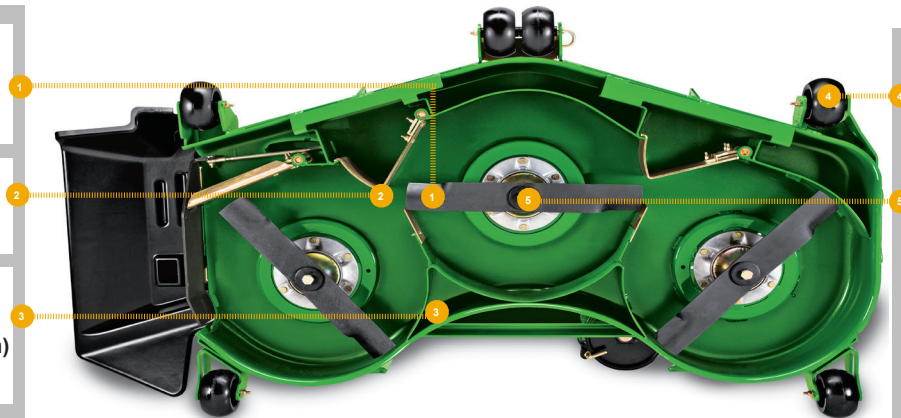
**MOWER BLADE**  
[TCU30316](#)



**MULCH BLADE**  
[M135334](#)



**V - BELT**  
[M165156](#) (LGTH = 2845.3 mm,  
WIDTH = 16 mm and TK = 16.3 mm)



**GAGE WHEEL**  
[AM148120](#)



**ROLLER**  
[M113955](#)



**DECK LEVELING TOOL**  
[AM130907](#)

# REPLACEMENT PARTS GUIDE

## X940 With 60 Inch Edge™ High-Capacity Deck



**MOWER BLADE**

[M133381](#)



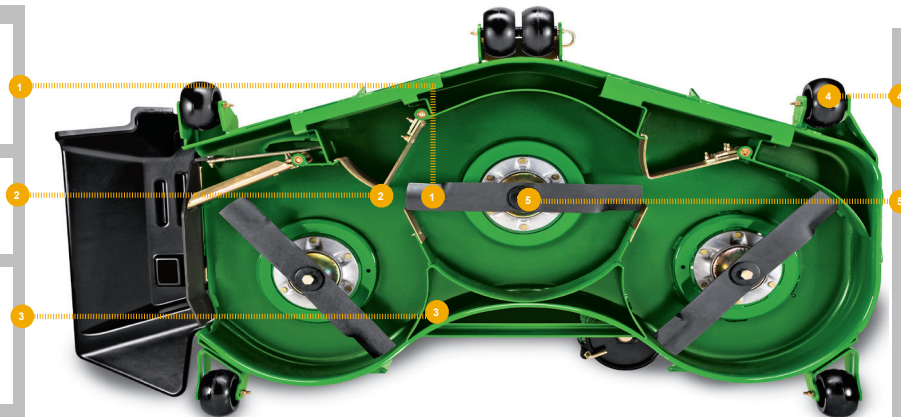
**MULCH BLADE**

[M168223](#)



**V - BELT**

[M163993](#) (LGTH = 3110 mm,  
TK = 16.3 mm, WIDTH = 16 mm)



**GAGE WHEEL**

[AM148120](#)



**ROLLER**

[M113955](#)



**DECK LEVELING TOOL**

[AM130907](#)