

# 2330 Mulch Finisher QUICK REFERENCE GUIDE

*NOTE: Use this as a reference guide. For further details, please see the Operator's Manual provided with the machine.*

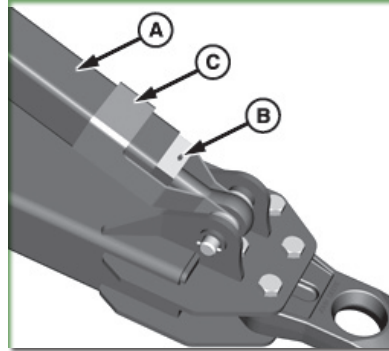
## Preparing Machine — Adjust Front-to-Rear Level

**CAUTION:** Do not unscrew the turnbuckle (A) to expose more than 51 mm (2 in) of the thread on either eyebolt. Eyebolts can pull out of tube end, resulting in machine dropping unexpectedly, and causing injury or death to you or others.

**IMPORTANT:** To level the machine correctly, it **MUST BE LEVELED IN THE PROPER SEQUENCE** as shown.

- FIRST Level Machine Front-To-Rear.
- SECOND Level Wings Side-To-Side.
- THIRD Level Wings Front-To-Rear (5-Section Machines ONLY).
- FOURTH Level Disk Gangs.

If leveling machine is not done in this sequence, machine will not be level and will not function correctly. Check tires for correct inflation before leveling machine. Perform the following procedure on a level surface.



1. PRELIMINARY LEVELING: Unfold wings to field position.
2. Lower main frame so sweeps are 51 mm (2 in) above a level surface.
3. Measure ground clearance at the rear corners of the main frame.

*NOTE: Adjustment wrench is provided with machine.*

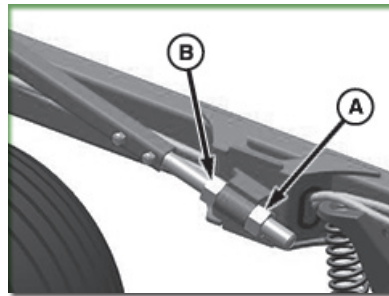
4. Remove wrench from turnbuckle (A). Lift turnbuckle retainer (C) and turn turnbuckle using wrench until frame ground clearance is slightly higher than 6.4 —12.7 mm (1/4—1/2 in) in front. This will compensate for natural draft forces during operation.

**IMPORTANT:** Failure to point grease fitting (B) to up or down position before engaging turnbuckle retainer (C) can result in damage to fitting.

5. Make sure grease fitting (B) points either up or down, not sideways, when adjustment is finished.

## Preparing Machine — Adjust Side-to-Side Level

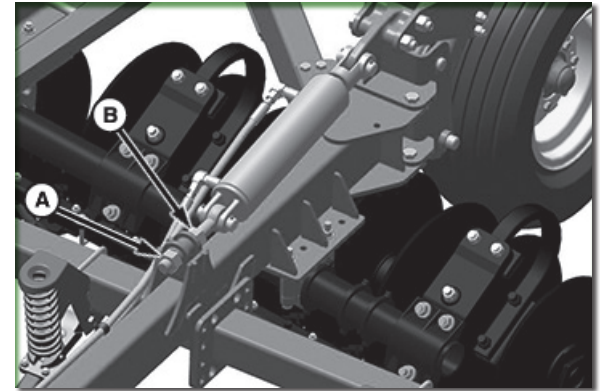
1. Park unfolded machine on a flat, level surface.
2. Check tires are properly inflated.
3. Re-phase depth control cylinders.
4. Unfold wings to field position.
5. Lower frame so sweeps are 51 mm (2 in) above a level surface. Check that center frame is level.



6. Measure ground clearance at the wing rear bar.
7. Loosen lock nut (A) and turn adjusting nut (B) until wing ground clearance is equal to the main frame and all sweeps are same distance from surface. Tighten lock nut.
8. Perform adjustment procedure on the opposite wing.
9. **5-SECTION MACHINES:** Perform adjustment procedure for outer wings.

## Adjust Front-To-Rear Wing Level — 5-Section

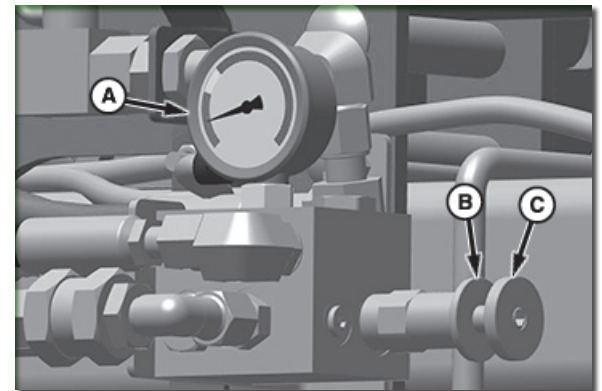
1. Park unfolded machine on a flat, level surface.
2. Check tires are properly inflated.
3. Re-phase depth control cylinders.
4. Unfold wings to field position.
5. Lower frame so rear sweeps are 51 mm (2 in) above a level surface. Verify that center frame is level.
6. Measure height of front sweeps and compare to rear sweeps.
7. Loosen lock nut (A) and turn adjusting nut (B) until front and rear sweeps are same distance from surface. Tighten lock nut.
8. Perform adjustment procedure on the opposite wing.



## Set Rolling Basket Down-Pressure

**IMPORTANT:** Basket pressure can be adjusted 0—900 psi. DO NOT use more down-pressure than necessary or excessive wear and damage to machine could result. Too much down pressure can lift the rear of the machine, causing it to become unlevel and result in an undesired field finish.

- Adjust down-pressure to initial setting by rotating knob (B).
- Once set, lock knob in position with collar (C).

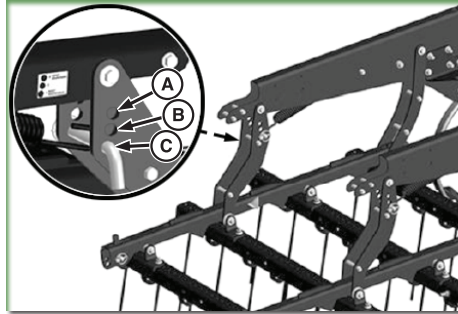


# 2330 Mulch Finisher QUICK REFERENCE GUIDE

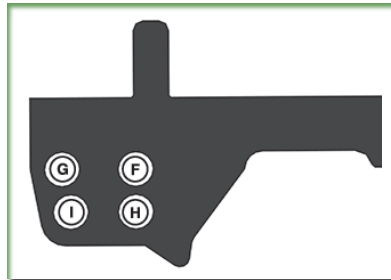
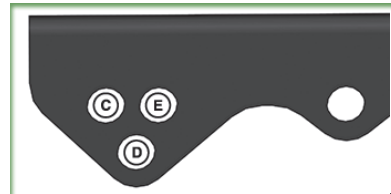
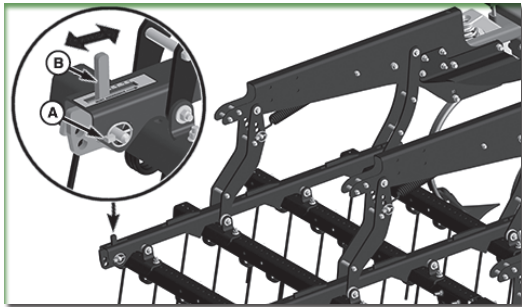
## Adjust Coil Tine Spring Tension

There are 3 different settings for coil tine spring tension:

- Remove pin (C), adjust spring tension to desired position, and reinstall pin.
- Light Tension Position (A) is least aggressive.
- Medium Tension Position (B) is medium aggressive.
- High Tension Position Shown With Pin (C) is most aggressive.
- Repeat for other drawbar locations.



## Adjust Coil Tine Angle



**IMPORTANT:** Make harrow tine angle adjustments with the machine raised.

1. Remove pin (A), slide lever (B) to desired position, and reinstall pin.
2. Repeat for other drawbar locations.

*NOTE: Use less aggressive settings for better residue flow. See table for adjusting the harrow angle. Coil tine angle is most aggressive in position 1 and least aggressive in position 5.*

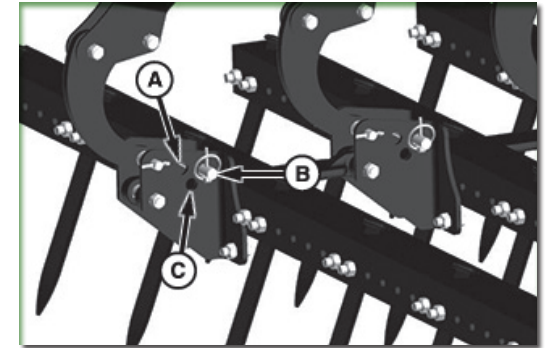
Coil Tine Angle	Attachment Plate Hole Position	Lift Bar Hole Position
1	D	I
2	C	G
3	E	F
4	D	H
5	C	F

## Adjust Harrow Spike Angle

**IMPORTANT:** Adjusting the spike angle controls harrow aggressiveness and residue flow capability. Spike angle should be adjusted per field conditions for the best combined performance of residue flow and field leveling.

*NOTE: Use less aggressive settings for better residue flow.*

1. Adjust spike angle by raising the machine and moving the pin to the desired position: (A) is least aggressive, (B) medium aggressive, and (C) most aggressive.
2. Repeat for other drawbar locations.

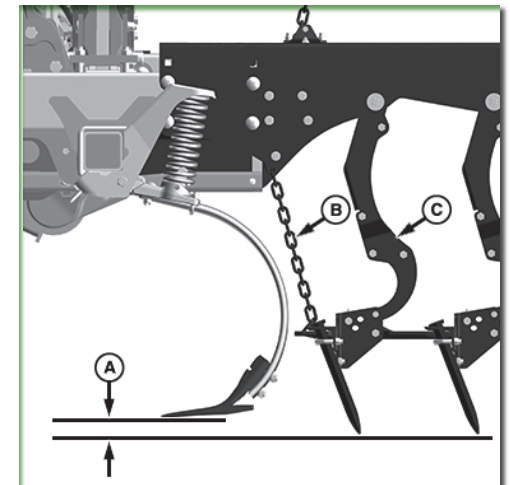


## Adjust Harrow Height and Draft

**IMPORTANT:** Before adjusting any harrow, be sure the fore/aft and side-to-side adjustments on machine have been completed. When making harrow adjustments only change one adjustment at a time. Run machine at desired working depth and speed between adjustments to verify performance. Spike Harrows With Rolling Baskets—Draft chains must be adjusted so spike harrow does NOT contact rolling basket.

*NOTE: Harrow height is preset.*

- Once desired working depth is set, spikes are 51—101 mm (2—4 in) (A) lower than sweeps when swept to working spike angle position.
- Set chain (B) for the desired harrow draft and adjust so that hang chains or linkages (C) are not under load at operating depth and speed.
- Repeat for other drawbar locations.



# TruSet™ - 2330 Mulch Finisher QUICK REFERENCE GUIDE

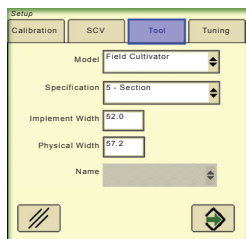
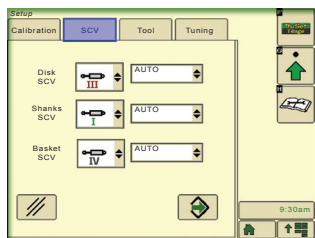
## Settings

Press Settings Softkey.

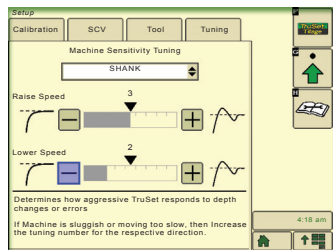


### Tool and SCV Settings

Verify that machine is set up properly and SCV functions are assigned correctly.



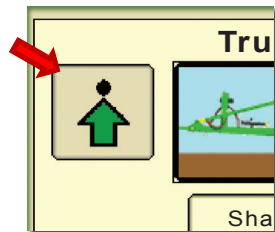
### Adjust TruSet™ Tuning



- Raise and lower speed are independently adjustable.
- Using a higher number causes the machine to respond more quickly.
- Using a lower number causes the machine to respond more slowly.

## Operation Setup

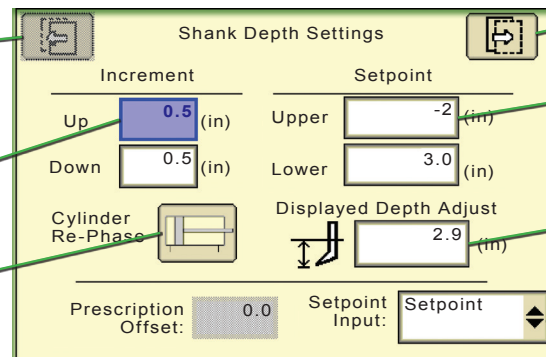
Press Operational Settings Softkey



Previous Page – Softkey

Increment Step Size – Softkey

Cylinder Re-phase – Softkey



Next Page – Softkey

Upper setpoint on shank limits raise height on headlands (Up-detent).

Field Calibration: Adjust the “actual depth” to zero the machine.

Input type: Setpoint or Prescription.

## General Operation

- Detenting equipment depth SCV lever downward will put all sections into AUTO mode.
- Rolling basket down pressure is enabled using the power button.
- Tractor must be moving >1 mph to activate TruSet™.
- Verify that hoses are connected correctly. Pressure and return hoses cannot be reversed.

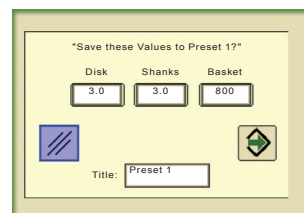
### Using Presets

- Adjust the setpoint fields to desired values.
- Press Save softkey.
- Press desired Preset softkey.
- Accept changes.

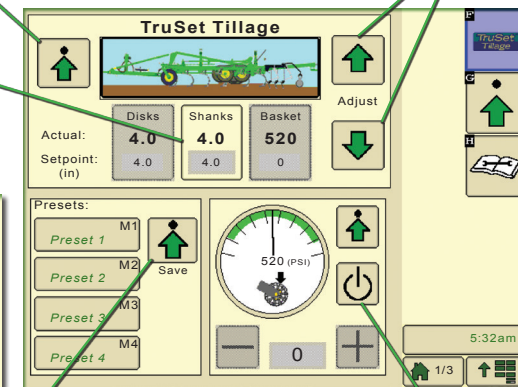
NOTE: Presets can be named.

Operational Settings – Access a Setup Page for each of the operations.

Incremental Adjustment – Select an operation to make incremental adjustments using the arrow softkeys.



Preset and Save – Softkey



Arrow – Softkeys

Settings – Softkey

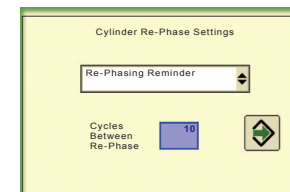
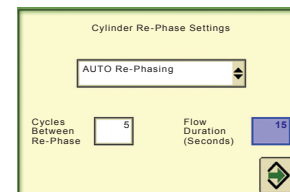
Diagnostics – Softkey

Power Button – Basket Pressure

## Cylinder Re-phasing

To keep cylinders and machine level throughout the day, select a re-phasing option.

- Auto re-phase will automatically fully raise machine on an up-detent when the number of cycles is reached.
- Re-phase reminder will display a reminder to re-phase cylinders once the number of cycles is reached.



# TruSet™ - 2330 Mulch Finisher QUICK REFERENCE GUIDE

## Creating Prescription

- Use John Deere Operations Center to create the Prescription.
- Use Soil Survey Data, Previous Operations, or Freehand Drawing Tools to create management zones in areas that may require different levels of tillage.

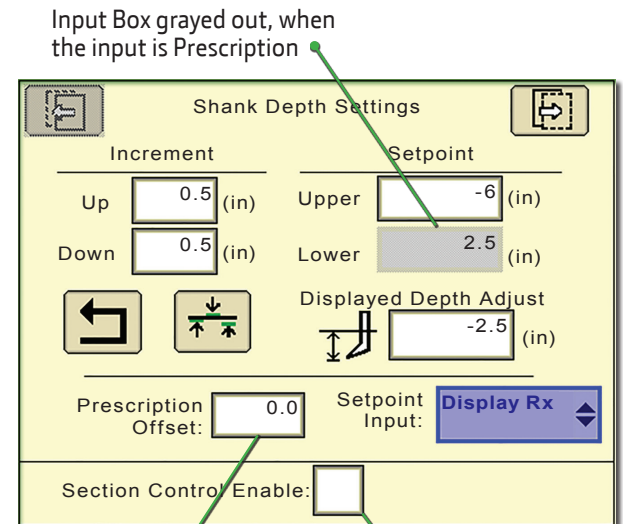
Some examples are:

- Side hills and hill tops (HEL)
- Bottom ground
- Areas of high yield
- Grain cart traffic areas
- Headlands/end rows
- Certain soil types
- Use your farms “typical operating depths and pressure” as a baseline. Increase or decrease the values in appropriate areas.
- For Operations not being controlled by a prescription, those areas can be run in constant and can be adjusted utilizing the “Setpoint Input” or “Presets”.

	Disk	Shank	Basket
Operation:	4.0	10.0	400
Minimum	-1"	0"	0 psi
Maximum	6"	5-6"	900 psi
Additional Constraints	Minimum depth with shanks at maximum depth.	6" maximum for Perma-Loc™ sweeps. 5" for bolt-on sweeps.	

A prescription offset changes the prescribed value by the amount entered. Arrow softkeys will also increment the offsets accordingly. This offset applies to all zones within a field for the respective operation. A negative value will shallow the operation.

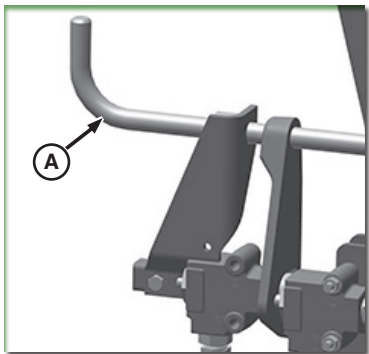
- If you have a “Section Control Activation” for your display, Section Control can be used to automatically raise the machine, when crossing boundaries.



Prescription Offset Field

Section Control Enable checkbox

## Disengage Single-Point Depth Control-TruSet™ Machines



Verify single-point depth control is disengaged to allow TruSet™ depth control system to function properly. Rotate the crank (A) fully clockwise.

## Set Up Tractor Hydraulics-All Machines



**CAUTION:** Do not operate SCV I in continuous. Operating SCV I in continuous can cause machine to unfold unexpectedly during transport causing serious injury or death to you or others.

Check hydraulic oil level. Fill if necessary. Set SCV flow rates and detent times as shown in table.

**IMPORTANT:** 5-Section only—In order for wings to be folded and unfolded, the warning light connector must be connected to tractor. If left unconnected, wings will not fold or unfold. In order for wings to be folded and unfolded, set SCV II flow control knob to 10 and verify that tractor is running at 1800 rpm.

**IMPORTANT:** Maintain SCV II power during folding and unfolding to fully extend or retract wing wheels. Never allow wings to float down with gravity.

SCV	Function	Flow	Detent Time
I	Depth Control	10	5 s
II	Wing Fold/Unfold	10	90 s
III	Disk Gang	10	5 s
IV	-	-	-
V	Rolling Basket Down-Pressure	2	Continuous