



REPLACEMENT PART GUIDE

PowerTech 12.5L 6125HF070 OEM Engine

OIL FILTER

[RE57394](#) (5901, 5914, 5916, 5918)

[RE509672](#) (5920, 5922, 5924, 5926, 5928, 5930)

500 hrs of operation or every 12 months.



STARTER

[RE501150](#) (24V) (3002)



PRIMARY FUEL FILTER

[RE522372](#) (3522, 3526)

[RE519608](#) (3523, 3525)

[RE522687](#) (3543, 3544, 3546)

[RE503676](#) (3545)

500 hrs of operation or every 12 months



FINAL FUEL FILTER

[RE522688](#) (3543, 3546)

[RE506428](#) (3545)

500 hrs of operation or every 12 months



SHORT BLOCK ASSEMBLY

[RE526257](#) (9901)



ALTERNATOR

[RE500226](#) (12V, 140A) (3101) (3147)

[TY25955](#) (24V, 80A) (3103)

[AH165975](#) (12V, 120A) (3104) (3120)

[TY24485](#) (12V, 95A) (3105)

[AT220393](#) (12V, 65A) (3107)

[RE500713](#) (12V, 200A) (3108)

[RE65414](#) (24V, 60A) (3109) (3149)

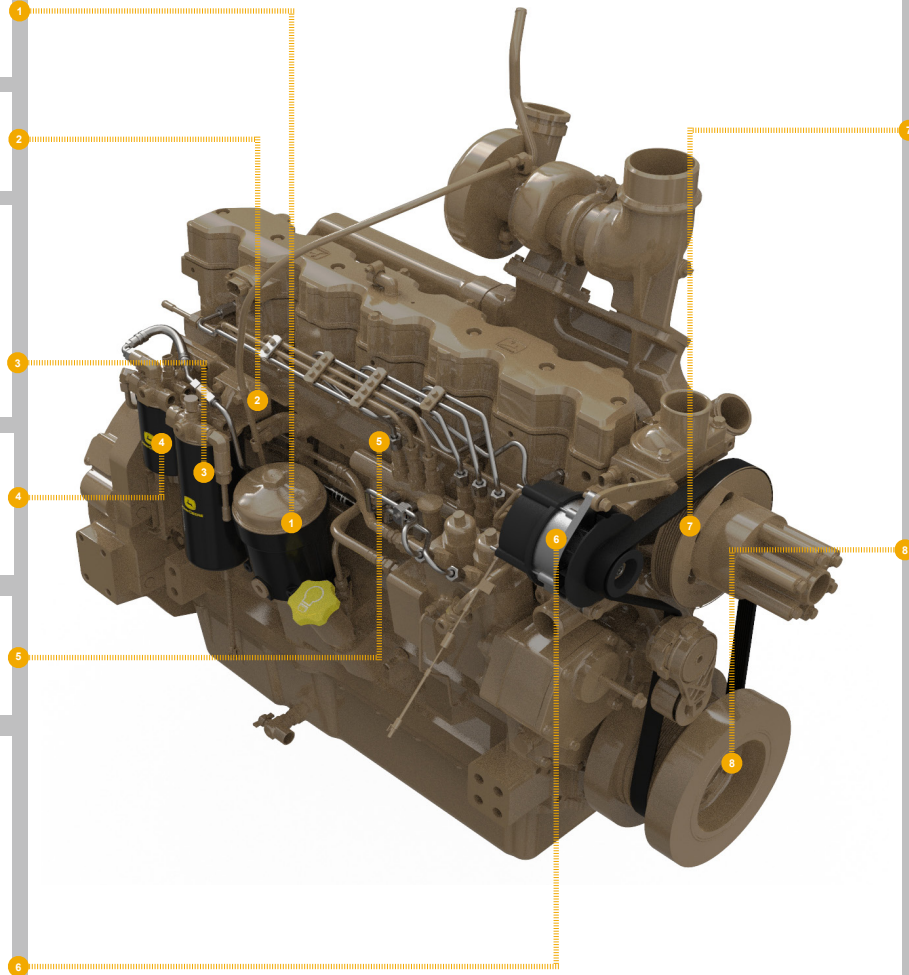
[TY6686](#) (12V, 78A) (3110)

[AT161324](#) (24V, 45A) (3113)

[RE500227](#) (12V, 90A) (3143) (3144)

[AXE28087](#) (12V, 185A) (3151)

[DZ117503](#) (24V, 140A) (3152)



FAN PULLEY

[R127398](#) (OD = 217.5 mm) (23AL, 23AM, 23BL, 23CL, 23DL, 23EL, 23FL)

[R127399](#) (OD = 297.4 mm) (23BC, 23CC, 23DC, 23EC, 23FC)

[R128904](#) (OD = 183.5 mm) (23BU, 23CU, 23DU, 23EU, 23FU)

[R500135](#) (OD = 262.8 mm) (23CF, 23DF, 23EF, 23FF)

[R505628](#) (236A)

[R120583](#) (236B, 236C)

[R128654](#) (236D, 238B)

[R120896](#) (237A, 237B, 238A)



CRANKSHAFT PULLEY WITH DAMPENER

[DZ119884](#) (OD = 220 mm) (1319)

[RE501764](#) (OD = 279.4 mm) (1306)

[RE500934](#) (OD = 279.4 mm) (1346)

[R106998](#) (OD = 163 mm) (1304, 1307, 1345)

[R135028](#) (OD = 217.5 mm) (1348)

DAMPER

[DZ119883](#) (OD = 350 mm) (1319)

[RE57604](#) (OD = 271.7 mm) (1302, 1303, 1341, 1346, 1348)

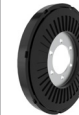
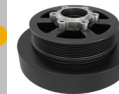
[RE500917](#) (OD = 279.4 mm) (1302, 1303, 1341, 1348)

[RE48454](#) (OD = 279.4 mm) (1304)

[RE64346](#) (OD = 279.4 mm) (1306)

[RE64345](#) (OD = 279.4 mm) (1307)

[RE57603](#) (OD = 279.4 mm) (1345)



JOHN DEERE

Genuine Parts and Service

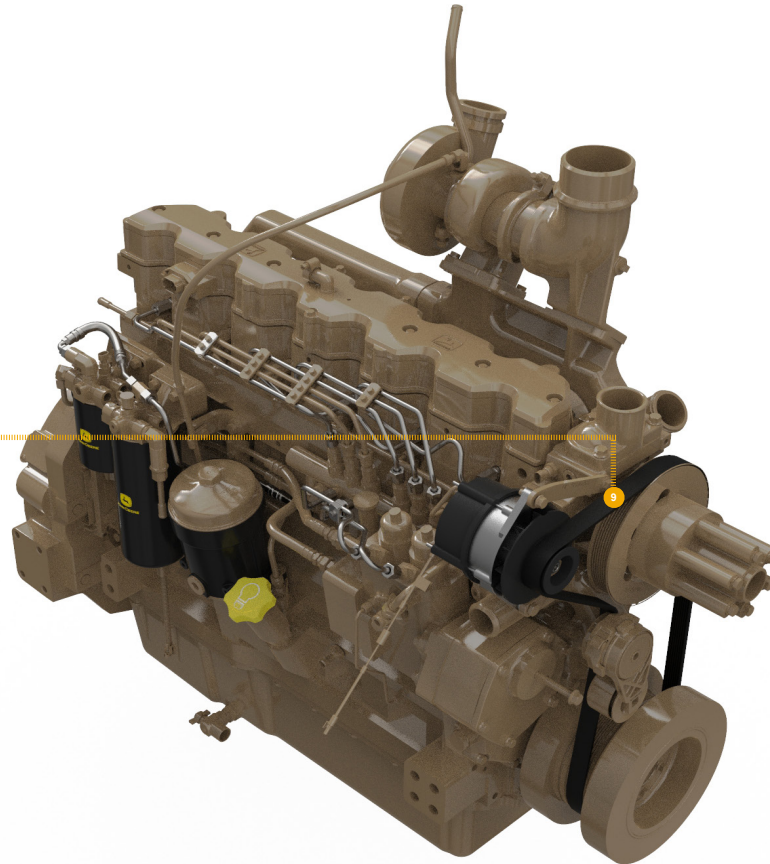
REPLACEMENT PART GUIDE

PowerTech 12.5L 6125HF070 OEM Engine



FAN BELT

- [DZ119530](#) (LGTH = 1675 mm) (2401)
- [DZ118781](#) (LGTH = 1700 mm) (2402, 2438)
- [DZ123507](#) (LGTH = 1480 mm) (2403)
- [DZ118827](#) (LGTH = 1760 mm) (2404)
- [DZ118830](#) (LGTH = 1800 mm) (2405, 2439, 2450)
- [DZ118832](#) (LGTH = 1825 mm) (2406, 2440)
- [DZ118833](#) (LGTH = 1845 mm) (2407, 2441)
- [DZ119648](#) (LGTH = 1860 mm) (2408)
- [DZ118834](#) (LGTH = 1870 mm) (2409, 2442)
- [T428703](#) (LGTH = 1920 mm) (2410)
- [DZ118855](#) (LGTH = 1965 mm) (2411)
- [T437052](#) (LGTH = 1980 mm) (2412, 2443)
- [DZ118861](#) (LGTH = 2015 mm) (2413, 2428, 2444)
- [T428705](#) (LGTH = 2045 mm) (2414)
- [DZ118801](#) (LGTH = 1720 mm) (2415)
- [DZ118826](#) (LGTH = 1750 mm) (2416)
- [R135594](#) (LGTH = 1770 mm) (2417)
- [T428694](#) (LGTH = 1790 mm) (2418)
- [T428698](#) (LGTH = 1815 mm) (2419)
- [T428701](#) (LGTH = 1900 mm) (2420)
- [T437051](#) (LGTH = 1935 mm) (2421)
- [DZ118858](#) (LGTH = 1945 mm) (2422)
- [DZ118885](#) (LGTH = 1990 mm) (2423)
- [DZ119714](#) (LGTH = 2575 mm) (2424, 2445)
- [R135664](#) (LGTH = 2590 mm) (2425, 2446, 2447)
- [DZ119048](#) (LGTH = 2605 mm) (2426, 2448)
- [DZ119047](#) (LGTH = 2620 mm) (2427)
- [T428848](#) (LGTH = 2520 mm) (2429)
- [DZ119051](#) (LGTH = 2530 mm) (2430)
- [R135615](#) (LGTH = 2545 mm) (2431)
- [DZ119052](#) (LGTH = 2560 mm) (2432)
- [DZ119645](#) (LGTH = 2633 mm) (2433, 2451)
- [DZ119644](#) (LGTH = 2550 mm) (2434)
- [DZ119010](#) (LGTH = 2550 mm) (2435)
- [DZ119050](#) (LGTH = 2645 mm) (2436)
- [DZ118856](#) (LGTH = 2025 mm) (2437)
- [DZ119521](#) (LGTH = 2633 mm) (2458)



JOHN DEERE
Genuine Parts and Service

REMAN PARTS GUIDE

PowerTech 12.5L 6125HF070 OEM Engine



CONNECTING ROD



[SE501065](#) REMAN FOR [DZ100118](#) (4801)
(4802) (4803)

[SE501230](#) REMAN FOR [RE522977](#) (4806)

AC COMPRESSOR



[SE503065](#) REMAN FOR [RE46609](#) (7401)
(7402) (7406) (7408) (7409)
(7413) (7426) (7428) (7433)

[SE503064](#) REMAN FOR [AT172975](#)
(7421) (7429)

[SE503059](#) REMAN FOR [RE52454](#) (7422)

STARTER



[SE501403](#) REMAN FOR [TY24439](#) (12 V)
(3001) (3004)

[SE501406](#) REMAN FOR [RE501150](#) (24 V)
(3002) (3003)

[SE501455](#) REMAN FOR [TY6797](#) (12 V)
(3005) (3016)

[SE501452](#) REMAN FOR [TY6729](#) (12 V)
(3006) (3011)

CYLINDER HEAD



[SE501577](#) REMAN FOR [RE519894](#)
(5107) (5104)

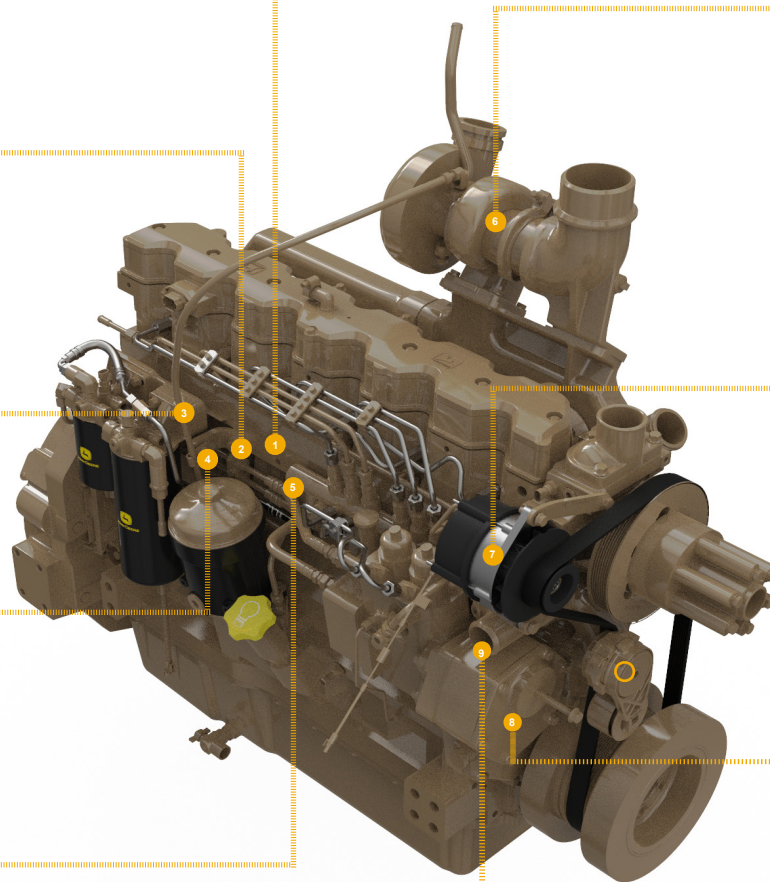
CONTROLLER



[SE502805](#) REMAN FOR [RE522515](#) (9601)
(9602) (9605) (9610) (9616) (9619)
(162A) (162B) (163A) (163B)
(164A) (164B) (165A) (165B)
(166A) (166B)

[SE502807](#) REMAN FOR [RE508773](#) (9605)
(9601) (9602) (9610) (9616) (162A)
(162B) (163A) (163B) (164A)
(164B) (165A) (165B)

[SE502806](#) REMAN FOR [RE522516](#) (9607)
(9642) (LEVEL 9)



TURBOCHARGER



[SE500428](#) REMAN FOR [RE63165](#) (6503)
(6504) (6526)

[SE500423](#) REMAN FOR [RE61716](#) (6508)
(6525) (6530)

[SE501668](#) REMAN FOR [RE534396](#) (6540)
(6541) (6542) (6577)

ALTERNATOR



[SE501839](#) REMAN FOR [RE500226](#)
(3101) (3147)

[SE501348](#) REMAN FOR [TY25955](#) (3103)

[SE501343](#) REMAN FOR [AH165975](#)
(3104) (3120)

[SE501342](#) REMAN FOR [AT220394](#) (3105)

[SE501387](#) REMAN FOR [AT220393](#) (3107)

[SE501842](#) REMAN FOR [RE65414](#)
(3109) (3149)

[SE501372](#) REMAN FOR [TY6686](#) (3110)

[SE501377](#) REMAN FOR [TY6752](#) (3111)

[SE501341](#) REMAN FOR [AT161324](#) (3113)

[SE501836](#) REMAN FOR [RE500227](#)
(3143) (3144)

[SE501832](#) REMAN FOR [AXE28087](#) (3151)

OIL PUMP



[SE500877](#) REMAN FOR [RE507076](#) (5002)

WATER PUMP



[SE501596](#) REMAN FOR [RE521502](#) (2014)



JOHN DEERE
Genuine Parts and Service

REMAN PARTS GUIDE

PowerTech 12.5L 6125HF070 OEM Engine



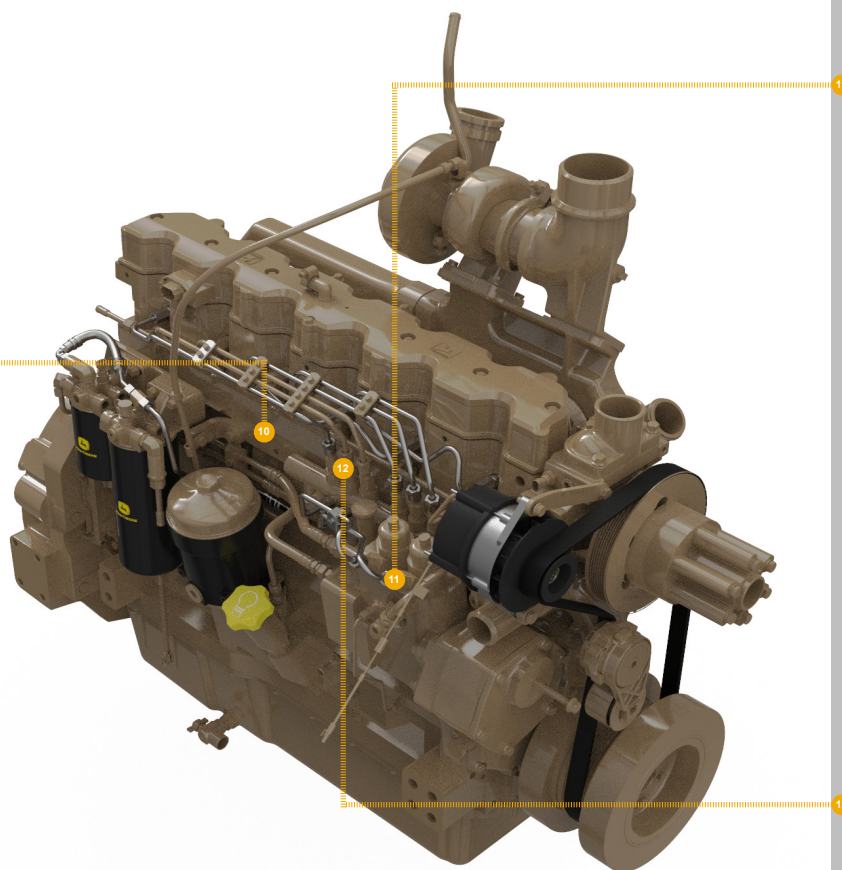
COMPLETE BLOCK ASSEMBLY

[SE501038](#) (WITH PISTON CODE 4802 OR 4806 AND AUXILIARY GEAR DRIVE CODE 5201 - 5296 MAY NOT BE AS ILLUSTRATED INCLUDES CYLINDER HEAD WITH VALVES AND ROCKER ARM ASSEMBLY; INCLUDES OIL PUMP ASSEMBLY, COMPLETE GASKET KIT WITH FRONT AND REAR SEALS)

[SE501040](#) (WITH PISTON CODE 4801 OR 4803 AND AUXILIARY GEAR DRIVE CODE 5201 - 5296 MAY NOT BE AS ILLUSTRATED INCLUDES CYLINDER HEAD WITH VALVES AND ROCKER ARM ASSEMBLY; INCLUDES OIL PUMP ASSEMBLY, COMPLETE GASKET KIT WITH FRONT AND REAR SEALS)

[SE501041](#) (WITH PISTON CODE 4802 OR 4806 AND AUXILIARY GEAR DRIVE CODE 5299 MAY NOT BE AS ILLUSTRATED INCLUDES CYLINDER HEAD WITH VALVES AND ROCKER ARM ASSEMBLY; INCLUDES OIL PUMP ASSEMBLY, COMPLETE GASKET KIT WITH FRONT AND REAR SEALS)

[SE501042](#) (WITH PISTON CODE 4801 OR 4803 AND AUXILIARY GEAR DRIVE CODE 5299 MAY NOT BE AS ILLUSTRATED INCLUDES CYLINDER HEAD WITH VALVES AND ROCKER ARM ASSEMBLY; INCLUDES OIL PUMP ASSEMBLY, COMPLETE GASKET KIT WITH FRONT AND REAR SEALS)



FUEL INJECTION PUMP

[SE500500](#) REMAN FOR [RE506416](#) (16BZ)

[SE501141](#) REMAN FOR [RE64265](#) (16BZ)

[SE501918](#) REMAN FOR [RE518423](#) (16GA) (16GC) (16JA) (16JC) (162A) (163A) (164A) (165A) (166A) (166C) (166E) (166G) (166L) (166N) (166R) (166T)

[SE501919](#) REMAN FOR [RE518807](#) (16GB) (16GD) (16JB) (16JD) (162B) (163B) (164B) (165B) (166B) (166D) (166F) (166H) (166M) (166P) (166S) (166U)

[SE501920](#) REMAN FOR [RE521422](#) (162E) (163E) (164E) (165E)

[SE501921](#) REMAN FOR [RE521423](#) (162F) (163F) (164F) (165F)



INJECTION NOZZLE

[SE501141](#) REMAN FOR [RE64265](#) (16BZ)

[SE501935](#) REMAN FOR [RE524360](#) (165A) (165B) (165E) (165F)

[SE501936](#) REMAN FOR [RE524361](#) (164A) (164E) (164F)

[SE501937](#) REMAN FOR [RE524362](#) (163A) (163B) (163E) (163F) (164B)

[SE501938](#) REMAN FOR [RE524363](#) (162E) (162F)

[SE501940](#) REMAN FOR [RE524368](#) (164A) (164B) (166L) (166N)

[SE501941](#) REMAN FOR [RE524369](#) (163A) (163B) (166A) (166B) (166C) (166D) (166E) (166F) (166G) (166H) (166M) (166P) (166R) (166S) (166T) (166U)

[SE501943](#) REMAN FOR [RE524359](#) (166A) (166B)

[SE501944](#) REMAN FOR [RE524365](#) (16JA) (16JB) (16JC) (16JD)

[SE501945](#) REMAN FOR [RE524367](#) (16GA) (16GB) (16GC) (16GD) (165A) (165B)

[SE501946](#) REMAN FOR [RE524370](#) (162A) (162B)



JOHN DEERE
Genuine Parts and Service