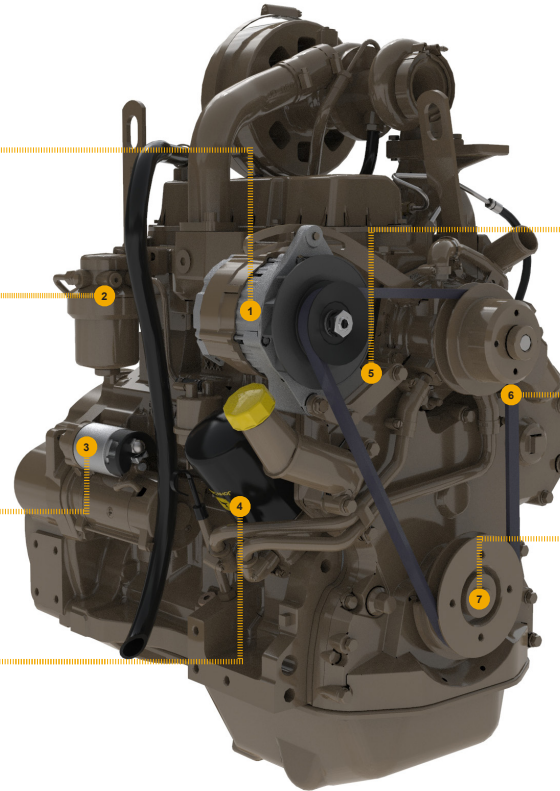


REPLACEMENT PARTS GUIDE

3029TFG20 PowerTech 2.9L Genset OEM Motor (Non-certified)



ALTERNATOR

[RE509106](#) (12V, 65A) (3132)

[RE544045](#) (28V, 50A) (3131)



FINAL FUEL FILTER

[RE60021](#) (35JT)

500 Hours of Operation or Every 12 Months.



STARTER

[RE519568](#) (12V, 3.2KW) (3085)

[RE546868](#) (12V) (30BA)

[RE552251](#) (24V, 3.5KW) (30CA)

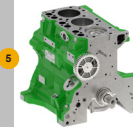
[RE552252](#) (12V) (30CB)



OIL FILTER

[RE519626](#) (5926)

500 Hours of Operation or Every 12 Months.



SHORT BLOCK ASSEMBLY

[DZ102006](#)



FAN BELT

[T23526](#) (LGTH = 1257 mm) (2401)

[T24473](#) (LGTH = 1295 mm) (2402)



CRANKSHAFT PULLEY

[DZ108524](#) (OD = 171.5) (1346)

[R534716](#) (1348)



JOHN DEERE

Genuine Parts and Service

REMAN PARTS GUIDE

3029TFG20 PowerTech 2.9L Genset OEM Motor (Non-certified)



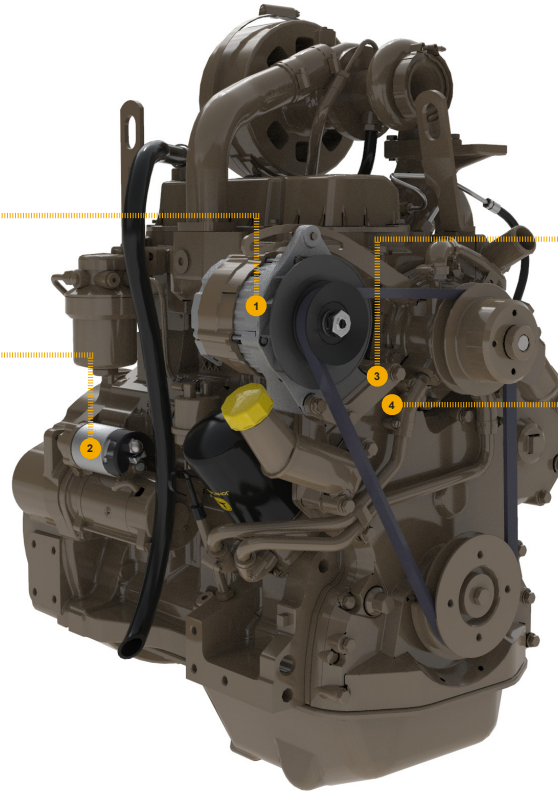
ALTERNATOR

[SE501835](#) (REMAN FOR [RE509106](#))
(12V, 65A) (3132)



STARTER

[SE501869](#) (REMAN FOR [RE519568](#))
(12V, 3.2KW) (3085)



FUEL INJECTION NOZZLE

[SE501101](#) (REMAN FOR [RE48786](#))
(16VB, 16VC, 16VE, 16VG)



CONNECTING RODS

[SE501571](#) (REMAN FOR [RE501674](#))
(4813)



JOHN DEERE
Genuine Parts and Service