

REPLACEMENT PART GUIDE

6090HFM85 PowerTech 9.0L OEM Moteur (Tier 3)



ALTERNATOR

[RE551448](#) (14 V, 150 A) (3171)
[RE551447](#) (28 V, 100 A) (3172)



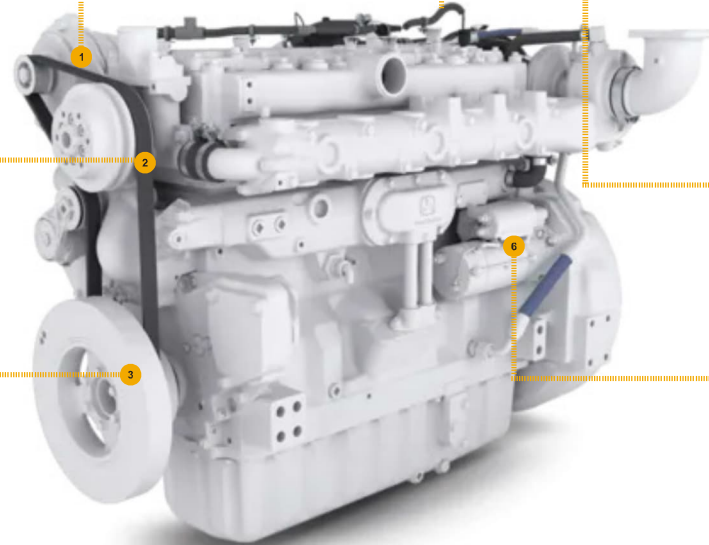
FAN BELT

[R135594](#) (LGTH= 1770 mm) (2412)
[DZ118801](#) (LGTH= 1720 mm) (2438)
[DZ118817](#) (LGTH= 1736 mm) (24AN)
[DZ118826](#) (LGTH= 1750 mm) (24AP)



CRANKSHAFT PULLEY & DAMPER

[DZ119883](#) (OD = 350 mm) 1354)
[R532781](#) (OD = 177 mm) (1354)



OIL FILTER

[RE509672](#) (5937)

500 Hours of operation or every 12 months



FUEL FILTER

[RE527961](#)

500 Hours of operation or every 12 months



STARTER MOTOR

[RE556999](#) (12 V, 5.5 KW) (3014)
[RE564633](#) (24 V) (3015)



JOHN DEERE
Genuine Parts and Service

REMAN PARTS GUIDE

6090HFM85 PowerTech 9.0L OEM Moteur (Tier 3)



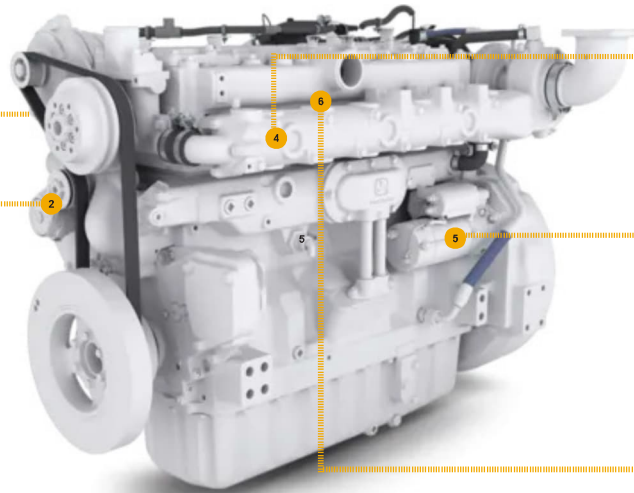
CONTROLLER

[SE502800](#) (REMAN FOR [RE531808](#))
(84AW) (84BJ)



WATER PUMP

[SE501228](#) (REMAN FOR [RE530194](#))
(2001)



FUEL INJECTION PUMP

[SE501922](#) (REMAN FOR [RE571640](#))
(1601)



STARTER

[SE502733](#) (REMAN FOR [RE564633](#))
(24V) (3015)



FUEL INJECTION NOZZLE

[SE501947](#) (REMAN FOR [DZ100221](#))
(1601)



JOHN DEERE
Genuine Parts and Service