



REPLACEMENT PART GUIDE

PowerTech PVL 6.8L 6068HFG05 Diesel OEM Generator Set (FT4 Engine)

DIESEL EXHAUST FLUID

INLINE FILTER

[DZ124402](#) (3343) (3346) (3345) (3368) (3348) (3347) (3344)

8000 Hours of Operation or Every 36 Months.



ALTERNATOR

[DZ123153](#) (12V,90 A) (31AE)
[RE558675](#) (24 V; 60 A) (31AC)



CRANKCASE VENT SYSTEM-

[DZ105796](#) (2975)
[DZ105796](#), [DZ105100](#) (29CX)
1500 Hours of Operation.



OIL FILTER

[RE539279](#) (5970) (5975)
500 Hours of Operation or Every 12 Months.



DOSING UNIT PUMP FILTER

[DZ114640](#) (3329) (3330) (3331) (3332) (3343) (3346) (3345) (3368) (3348) (3347) (3344)
4500 Hours of Operation or Every 36 Months.



DEF TANK INLET SCREEN

[DZ114695](#) (3411) (3412) (3413) (3414) (3415) (3416) (3417) (3418) (3429) (3430) (3431) (3432) (3433) (3434) (3435) (3436) (3447) (3448) (3449) (3450) (3451) (3452) (3453) (3454)
As Required.



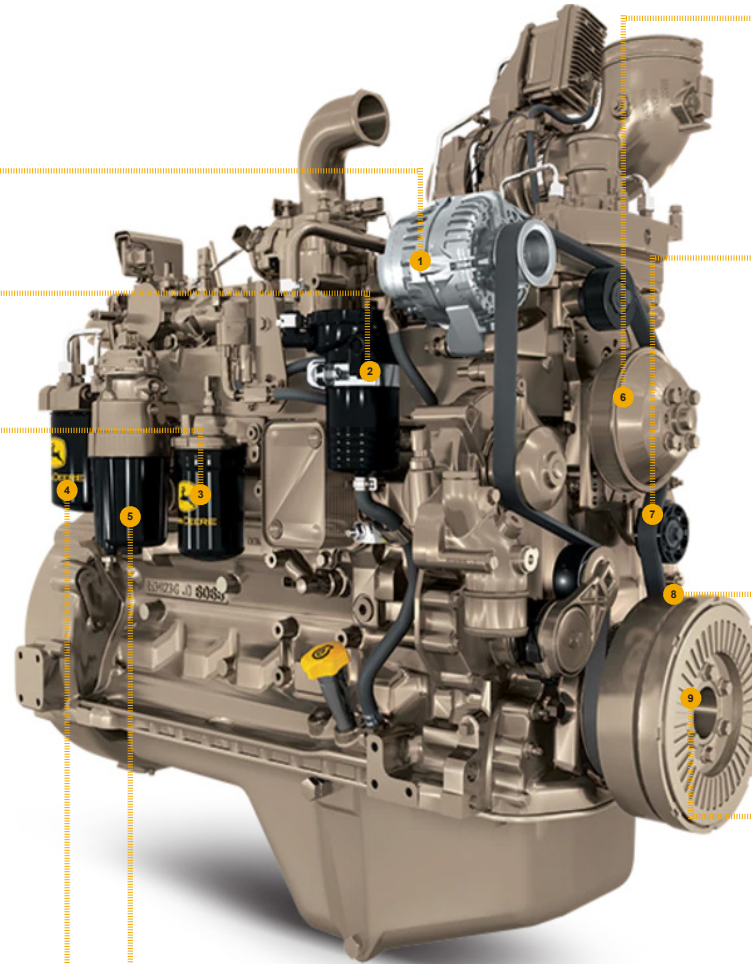
PRIMARY FUEL FILTER

[DZ115391](#) (35E7) (35E6) (35E9) (35LF) (35E8) (35LE) (35LD) (35LC)
[RE520906](#) (35D5) (35JA)
500 Hours of Operation or Every 12 Months.



SECONDARY FUEL FILTER

[DZ115392](#) (35E7) (35E6) (35E9) (35LF) (35E8) (35LE) (35LD) (35LC)
[DZ112918](#) (35D5) (35JA)
500 Hours of Operation or Every 12 Months.



FAN PULLEY

[R128659](#) (OD=154 mm) (8671)
[R522890](#) (OD=230 mm) (8673)
[R128662](#) (OD=203 mm) (8668)
[R128660](#) (OD=168 mm) (8667)



FAN BELT

[DZ118556](#) (LGTH = 1660 mm) (24JG)
[DZ118557](#) (LGTH = 1670 mm) (24JJ)
[DZ118558](#) (LGTH = 1680 mm) (24JU)
[DZ118559](#) (LGTH = 1700 mm) (24JK) (24JV) (24MG)
[DZ118560](#) (LGTH = 1720 mm) (24LM) (LGTH = 1715 mm) (24JM)
[DZ118786](#) (LGTH = 1715 mm) (2492) (LGTH = 1765 mm) (24LN)
[DZ121129](#) (LGTH = 1745 mm) (24JN)
[DZ121133](#) (LGTH = 1700 mm) (24LP)
[T282795](#) (LGTH = 1690 mm) (24JH)



STARTER

[DZ110083](#) (24V, 4 KW) (3096)
[RE552251](#) (3.5 KW; 24 V) (30CA)
[RE523501](#) (12V) (3073)
[RE523502](#) (12V) (3084)
[RE549229](#) (12V) (30AT)
[RE549230](#) (24V) (30AU)
[RE551637](#) (12V) (30BX)
[RE551644](#) (24V) (30AY)
[RE564633](#) (24V) (3090)



CRANKSHAFT PULLEY & DAMPER

[DZ119883](#) (OD = 350 mm) (6813)
[RE57604](#) (OD = 264 mm) (6811)
[RE508578](#) (OD = 264 mm) (1320)
[RE505939](#) (OD = 256 mm) (1321)
[RE505941](#) (OD = 264 mm) (1322)
[R545125](#) (OD = 193 mm) (1334)
[RE528428](#) (OD = 264 mm) (1340)



TANK HEADER SUCTION SCREEN

[DZ111166](#) (3401) (3402) (3403) (3404) (3405) (3406) (3407) (3408) (3409) (3410) (3411) (3412) (3413) (3414) (3415) (3416) (3417) (3418)
[DZ111004](#) (3419) (3420) (3421) (3422) (3423) (3424) (3425) (3426) (3427) (3428) (3429) (3430) (3431) (3432) (3433) (3434) (3435) (3436)
[DZ110562](#) (USE WITH [DZ113378](#) 974G) (USE WITH [DZ110563](#) 974J)
1500 hrs of operation or every 36 months



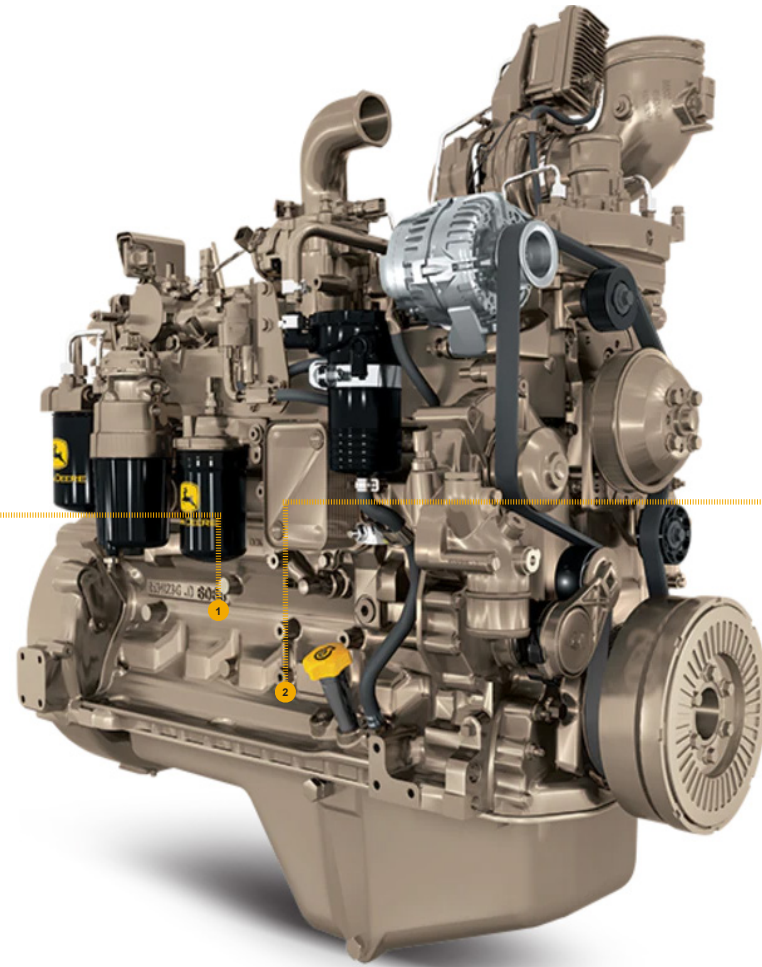
JOHN DEERE

Genuine Parts and Service



REPLACEMENT PART GUIDE

PowerTech PVL 6.8L 6068HFG05 Diesel OEM Generator Set (FT4 Engine)



SHORT BLOCK ASSEMBLY
[DZ109872](#)



COMPLETE BLOCK ASSEMBLY

[DZ123560](#)

*Includes cylinder head with vales and rocker arm assembly, Balancer shafts, Oil pump assembly, complete gasket kit with front and rear seals months.



*THIS PART IS NOT AVAILABLE IN ALL COUNTRIES - COMPLETE BLOCK ASSEMBLY.



REMAN PARTS GUIDE

PowerTech PVL 6.8L 6068HFG05 Diesel OEM Generator Set (FT4 Engine)



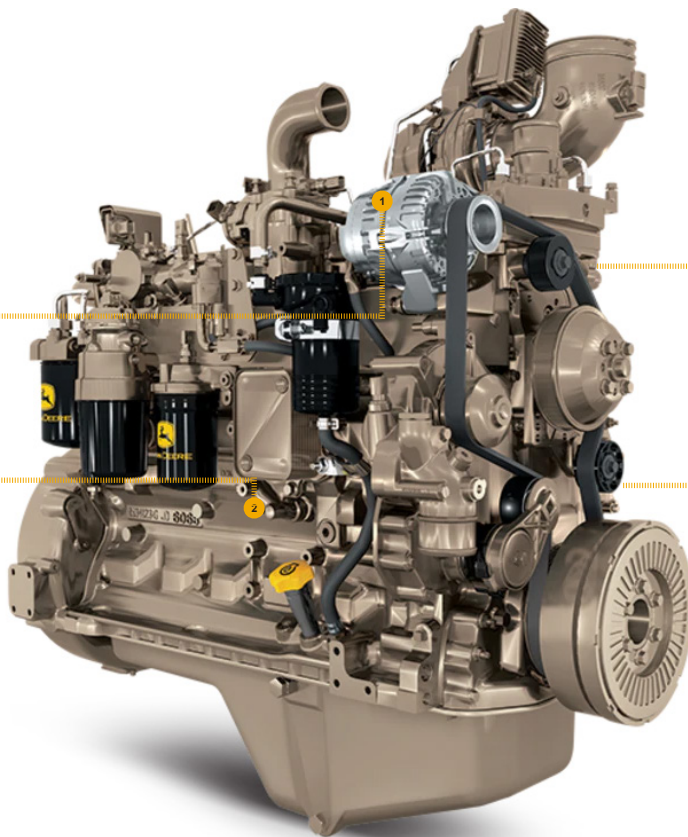
ALTERNATOR

[SE502560](#) (REMAN FOR [DZ123153](#))
(14V, 90A) (31AE)



CONNECTING ROD

[SE501094](#) (REMAN FOR [RE500608](#)) (4865)



CONTROLLER

[RM100100](#) (REMAN FOR [RE548097](#))
(84ER) (84GH) (84KG)
[RM100131](#) (REMAN FOR [RE551059](#))
(84DV) (84KJ) (84KE)



STARTER

[SE502631](#) (REMAN FOR [RE523501](#))
(12V) (3073)
[SE502632](#) (REMAN FOR [RE523502](#))
(12V)(3084)
[SE502558](#) (REMAN FOR [RE549229](#))
(14V, 90A) (30AT)
[SE502823](#) (REMAN FOR [RE549230](#))
(24V, 90A) (30AU)
[SE502736](#) (REMAN FOR [RE551644](#))
(24V, 7.8A) (30AY)
[SE502733](#) (REMAN FOR [RE564633](#))
(24V) (3090)



JOHN DEERE

Genuine Parts and Service