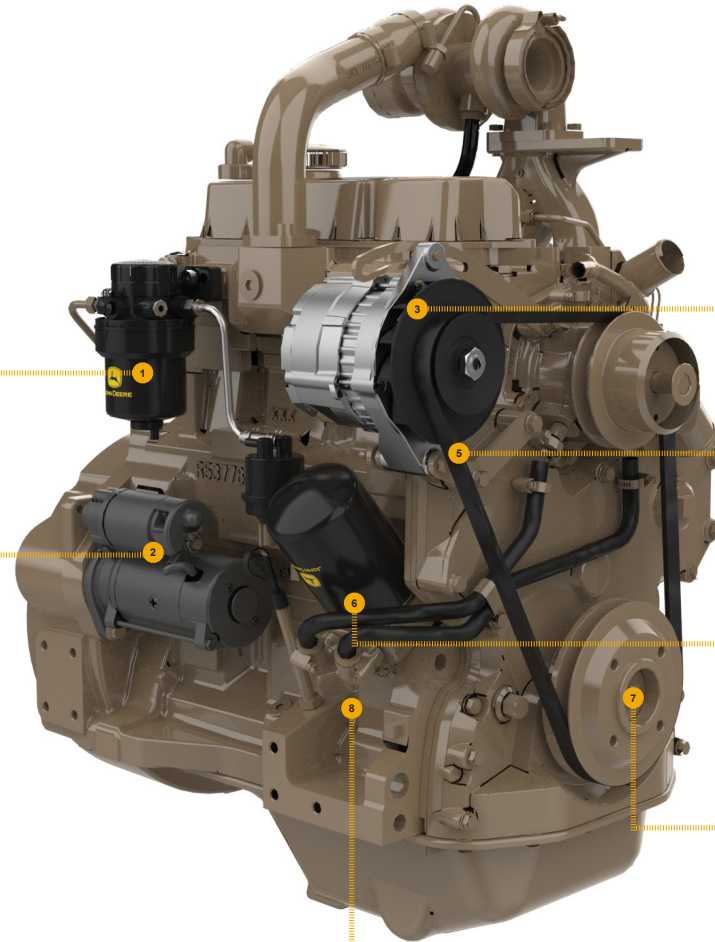


REPLACEMENT PARTS GUIDE

Power Tech 2.9L 3029TFU89 (30KVA) GSPU Genset Stage IIIA Engine



FUEL FILTER

[RE62418](#) (35C4)

500 hrs of operation or every 12 months.



STARTER MOTOR

[DZ11008](#) (12 V, 3.4 KW) (3075)
[RE519568](#) (12 V, 3.2 KW) (3085)
[RE546868](#) (12 V, 3.2 KW) (30BA)
[DZ110082](#) (24 V, 4 kW) (30BL)
[RE552251](#) (3.5 KW, 24 V) (30CA)
[RE552252](#) (24 V) (30CB)



ALTERNATOR

[RE544045](#) (28 V ; 50 A) (3131)
[RE509106](#) (14 V, 65 A) (3132)



FAN BELT

[T24473](#) (LGTH = 1295 MM) (2402)



OIL FILTER

[RE519626](#) (5926) (35C4)

500 hrs of operation or every 12 months.



CRANKSHAFT PULLEY AND DAMPER

[R547151](#) (OD = 171 mm) (1346)



SHORT BLOCK ASSEMBLY

[DZ102006](#)

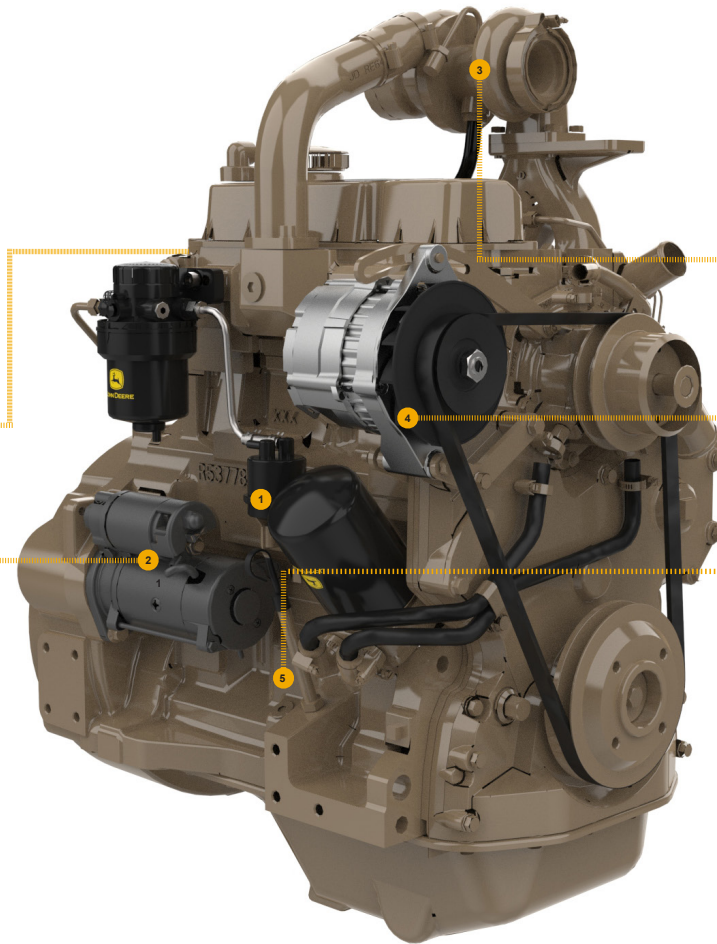


JOHN DEERE

Genuine Parts and Service

REMAN PARTS GUIDE

Power Tech 2.9L 3029TFU89 (30KVA) GSPU Genset Stage IIIA Engine



NOZZLE

[SE501177](#) (REMAN FOR [RE515684](#))
(16QN) (16QP) (16SV) (16SW)



STARTER

[SE501851](#) (REMAN FOR [DZ110081](#),
[RE507670](#)) (12 V, 3.2 KW) (3075)
[SE502286](#) (REMAN FOR [DZ110082](#))
(24 V, 4 KW) (30BL)
[SE501869](#) (REMAN FOR [RE519568](#))
(12 V, 3.2 KW) (3085)



TURBOCHARGER

[SE502214](#) (REMAN FOR [RE518226](#)) (65V6)



ALTERNATOR

[SE501835](#) (REMAN FOR [RE509106](#))
(14 V, 65 A) (3132)



CONNECTING ROD

[SE501571](#) (REMAN FOR [DZ104739](#)) (1234)



JOHN DEERE
Genuine Parts and Service