

# REPLACEMENT PART GUIDE

## PowerTech 2.9L 3029TFU20 Genset OEM Engine (Non-certified)



### FUEL FILTERS

[RE60021](#) (35JT)

500 Hours of Operation or Every 12 Months.



### STARTER MOTOR

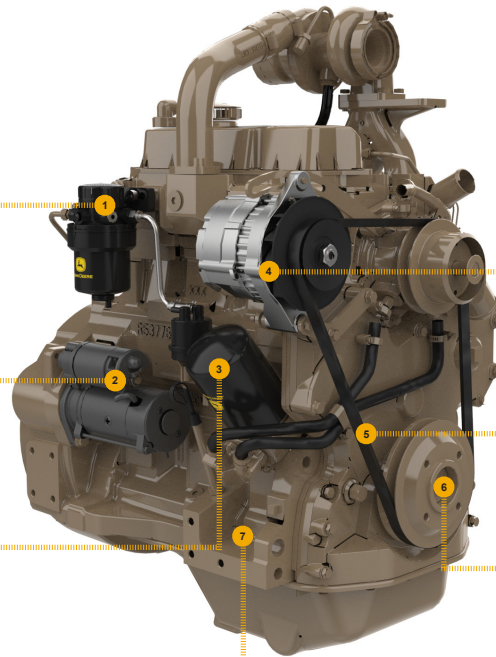
[RE519568](#) (3085) (12 V, 3.2 KW)  
[RE546868](#) (30BA) (12 V, 3.2 KW)  
[RE552251](#) (30CA) (24 V, 3.5 KW)  
[RE552252](#) (30CB) (24 V)



### OIL FILTER

[RE519626](#) (5926)

500 hrs of operation or every 12 months.



### ALTERNATOR

[RE544045](#) (28 V; 50 A) (3131)  
[RE509106](#) (14V, 65A) (3132)



### FAN BELT

[T24473](#) (LGTH=1295 MM) (2402)



### CRANKSHAFT PULLEY AND DAMPER

[DZ108524](#) (OD =171 MM) (1346)



### SHORT BLOCK ASSEMBLY

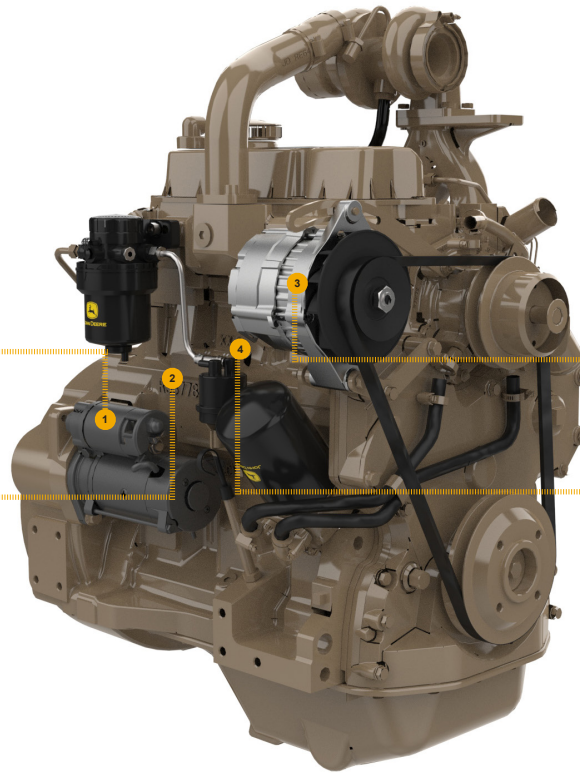
[DZ102006](#) MARKED R537785



**JOHN DEERE**  
Genuine Parts and Service

# REMAN PARTS GUIDE

## PowerTech 2.9L 3029TFU20 Genset OEM Engine (Non-certified)



### STARTER

[SE501869](#) (REMAN FOR [RE519568](#)) (12V, 3.2KW) (3085)



### CONNECTING ROD

[SE501571](#) (REMAN FOR [DZ104739](#) OR [RE501674](#)) (4813)



### ALTERNATOR

[SE501835](#) (REMAN FOR [RE509106](#)) (14V, 65A) (3132)



### NOZZLE

[SE501101](#) (REMAN FOR [RE48786](#)) (16VB) (16VC) (16VG) (16VE)



**JOHN DEERE**  
Genuine Parts and Service