



# REPLACEMENT PART GUIDE

## 6135AFM75 PowerTech 2.9L OEM Engine

### STARTER



- [RE540886](#) (3014)
- [RE539584](#) (12 V) (3012)
- [RE555916](#) (12 V) (3016)
- [RE555915](#) (24 V) (3017)
- [RE522851](#) (3006)

### PRIMARY FUEL FILTER



- [RE539465](#) (10 MICRON) (3536) (3545)

### SECONDARY FUEL FILTER



- [DZ112918](#) (2 MICRON) (3536) (3545)

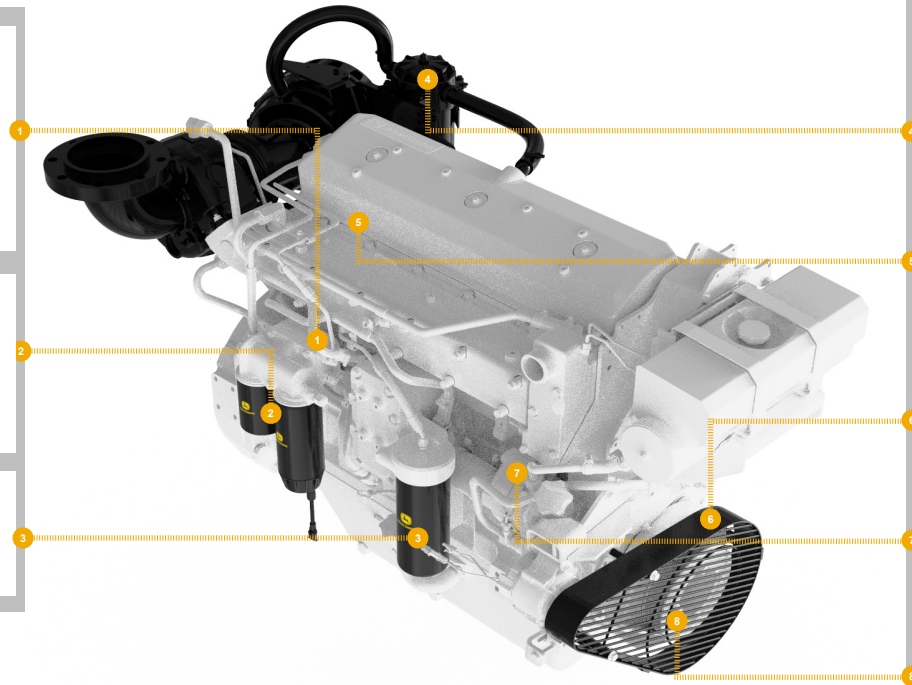
500 hrs of operation or every 12 months

### OIL FILTER



- [RE572785](#) (5925)

500 hrs of operation or every 12 months.



### ALTERNATOR



- [RE500226](#) (12 V, 140 A) (3107)
- [RE500227](#) (3110)
- [RE551448](#) (14 V, 150 A) (31ZZ)
- [RE65414](#) (24 V, 60 A) (3108)
- [RE551447](#) (28 V, 100 A) (3159)

### SHORT BLOCK ASSEMBLY



- [DZ114431](#)

Also order crank damper, engine gasket kit, dipstick tube, oil pump, cylinder head bolt kit, parts from the short block hardware Kit SUB FOR RE536259

### FAN BELT



- [DZ118775](#) (LGTH = 1310 mm) (2440)

### CRANKCASE VENT FILTER



- [RE528160](#) (2914)

500 hrs of operation or every 12 months

### DAMPER



- [RE530733](#)



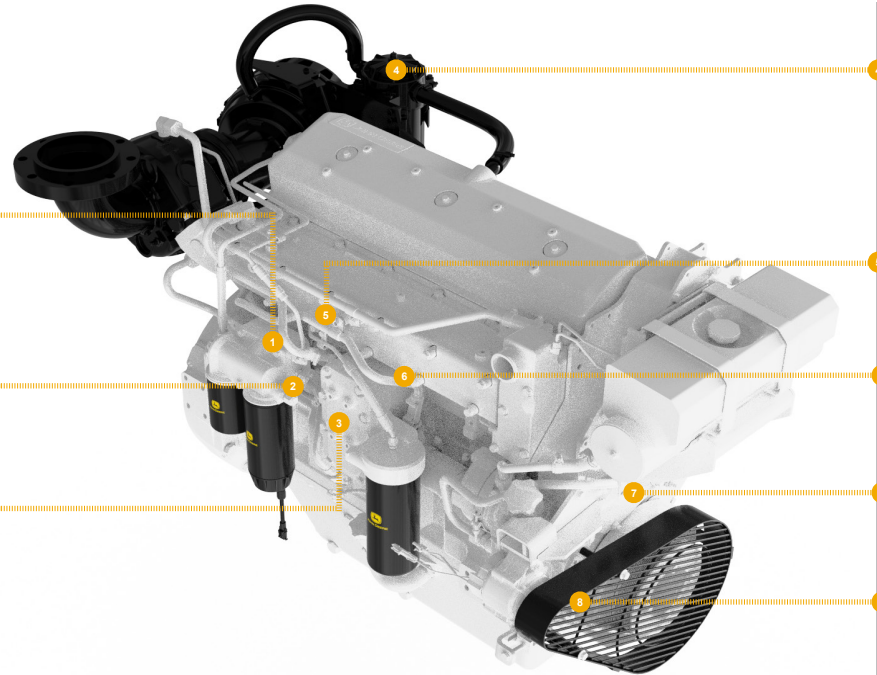
**JOHN DEERE**

Genuine Parts and Service



# REMAN PARTS GUIDE

## 6135AFM75 PowerTech 2.9L OEM Engine



### STARTER



- [SE501862](#) (REMAN FOR [RE515843](#)) (12V) (3006)
- [SE501874](#) (REMAN FOR [RE539584](#)) (3012)
- [SE502679](#) (REMAN FOR [RE540886](#)) (3014) (3017)

### ELECTRONIC UNIT INJECTOR



- [RM100251](#) (REMAN FOR [RM100251](#) OR [RE533608](#)) (1676)

### CONTROLLER



- [SE502948](#) (REMAN FOR [RE520954](#)) (8442)

### ALTERNATOR



- [SE501842](#) (REMAN FOR [RE65414](#)) (24 V, 60 A) (3108)
- [SE501839](#) (REMAN FOR [RE500226](#)) (12V, 140A) (3107)
- [SE501836](#) (REMAN FOR [RE500227](#)) (3110)

### CYLINDER HEAD



- [SE502698](#) (REMAN FOR [RE542776](#) OR [RE520563](#)) (5107)

### CONNECTING ROD



- [SE502276](#) (REMAN FOR [RE535966](#)) (4803)

### WATER PUMP



- [SE501593](#) (REMAN FOR [RE549117](#)) (2007)

### OIL PUMP



- [SE501594](#) (REMAN FOR [RE527933](#)) (5002)