

REPLACEMENT PARTS GUIDE

6125AFM01 12.5L PowerTech Marine Engine



ALTERNATOR

[RE500226](#) (12V, 140A) (3101, 3107)

[RE65414](#) (24V, 60A) (3106, 3108)

[RE501112](#) (12V, 105A) (3109, 3142)

[RE500227](#) (12V, 90A) (3110, 3143)



CRANKSHAFT PULLEY AND DAMPER

[RE505520](#) (OD = 355.6 MM) (1301, 1304)

[RE507214](#) (OD = 355.6 MM) (1311, 1313)

[RE523266](#) (OD = 355.6 MM) (1305) (1303)



PULLEY

[R133880](#) (OD = 236 MM)
(1314, 1305, 1306, 1308, 1303, 1312)

[R133879](#) (OD = 187.9 MM) (1340)
(1302) (1306) (1307) (1308)

[R527741](#) (OD = 245.6 MM) (1341)

[RE523268](#) (OD = 355.6 MM) (1314, 1312)

[RE523267](#) (OD = 355.6 MM) (1309) (1302)



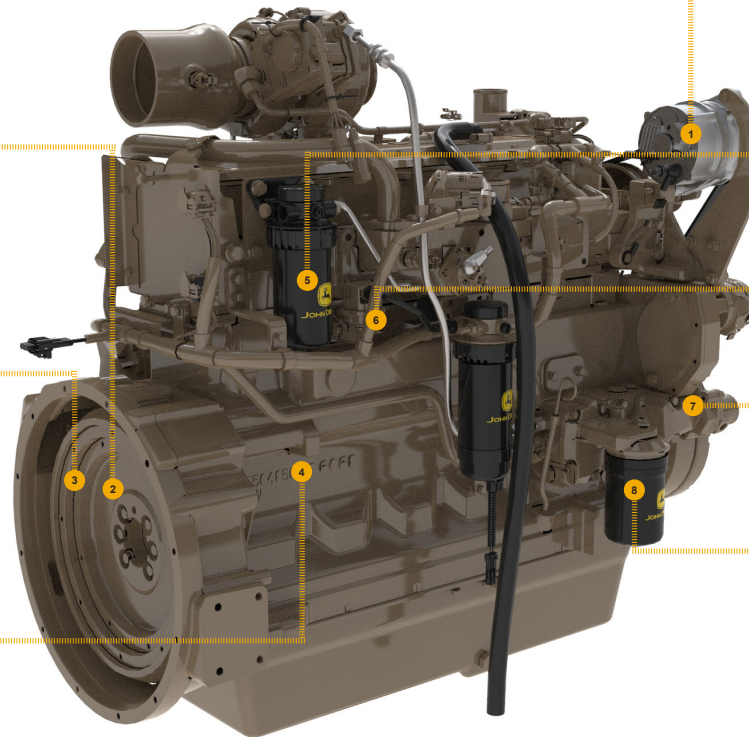
STARTER MOTOR

[RE515843](#) (12V) (3006) (3008)

[RE515895](#) (24V) (3009)

[RE539584](#) (12V) (3012)

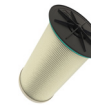
[RE540886](#) (24V) (3014)



FINAL FUEL FILTER

[RE507284](#) (3514)

REPLACE 500 HOURS OF OPERATION OR EVERY 12 MONTHS.



SHORT BLOCK ASSEMBLY

[RE528460](#) (PISTON/CROWN MARKED)
(MARKED [R522822](#) OR [R519559](#))



FAN BELT

[R131083](#) (LGTH = 1530 MM) (2440)



OIL FILTER

[RE58935](#)

REPLACE 500 HOURS OF OPERATION OR EVERY 12 MONTHS



JOHN DEERE
Genuine Parts and Service

REMAN PARTS GUIDE

6125AFM01 12.5L PowerTech Marine Engine



INJECTION NOZZLE

[SE501954](#) (REMAN FOR [RG27867](#)) (1601) (1603) (1670) (1605) (1606) (1611) (1613) (1612) (1615) (1614) (1616) (1602) (1604) (1618) (1617) (1619) (1607) (1608)

[SE501955](#) (REMAN FOR [RG33957](#)) (1601) (1602) (1603) (1604) (1605) (1606) (1609) (1616) (1619) (1670) (1671) (1672) (1673) (1674) (1675) (1624) (1622) (1623) (1627) (1628) (1625) (1626) (1613) (1615) (1614) (1641) (1618) (1617) (1629) (1630) (1633) (1631) (1632) (1634) (1638) (1639) (1640) (1635) (1636) (1637) (1607) (1608)

[SE501952](#) (REMAN FOR [RG27869](#)) (1611) (1620) (1609)

[SE501953](#) (REMAN FOR [RG33958](#)) (1611) (1612) (1620) (1609)



STARTER

[SE501862](#) (REMAN FOR [RE515843](#)) (12V) (3006) (3008)

[SE501874](#) (REMAN FOR [RE539584](#)) (12V) (3012)

[SE502679](#) (REMAN FOR [RE540886](#)) (24V) (3014)



CONNECTING ROD

[SE501269](#) (REMAN FOR [RE522978](#)) (4801)

[SE501726](#) (REMAN FOR [RE532355](#)) (4801)

[SE501066](#) (REMAN FOR [RE502314](#)) (4801)

[SE502394](#) (REMAN FOR [RE535965](#)) (4801)



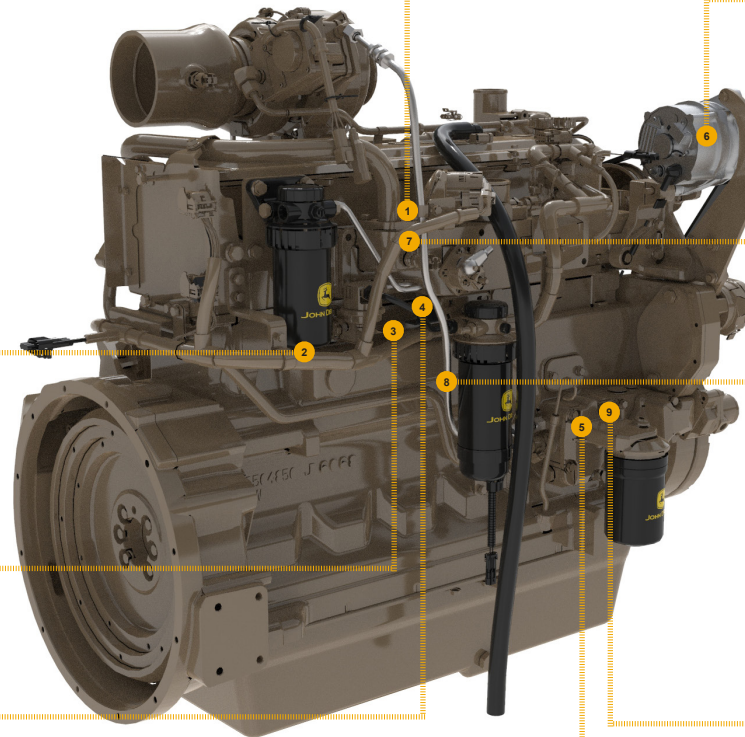
CYLINDER HEAD

[SE500709](#) (REMAN FOR [RE69912](#)) (5102)



WATER PUMP

[SE501592](#) (REMAN FOR [RE530870](#)) (2001, 2003)



ALTERNATOR

[SE501839](#) (REMAN FOR [RE500226](#)) (12V, 140A) (3101, 3107)

[SE501842](#) (REMAN FOR [RE65414](#)) (24V, 60A) (3106, 3108)

[SE501810](#) (REMAN FOR [RE501112](#)) (12V, 105A) (3109, 3142)

[SE501836](#) (REMAN FOR [RE500227](#)) (12V, 90A) (3110, 3143)



TURBOCHARGER

[SE501679](#) (REMAN FOR [RE524741](#)) (6528) (6526) (6523)



COMPLETE BLOCK ASSEMBLY

[SE502570](#) (-010637)

[SE502572](#) (010637-)

MAY NOT BE AS ILLUSTRATED. INCLUDES CYLINDER HEAD WITH VALVES AND ROCKER ARM ASSEMBLY, OIL PUMP ASSEMBLY, COMPLETE GASKET KIT WITH FRONT AND REAR SEALS



CONTROLLER

[SE502812](#) (LEVEL 6) (REMAN FOR [RE507980](#)) (1601) (1609) (1670) (1673) (9610) (9628)

[SE502813](#) (REMAN FOR [RE507982](#)) (1601) (1602) (1671)

[SE502922](#) (REMAN FOR [RE507981](#)) (1602) (1671)

