

REPLACEMENT PART GUIDE

Power Unit for Genset 6.8L 6068HFG20 OEM Non-Certified Engine



ALTERNATOR

[RE537146](#) (24V, 50 A) (3104)
[RE533516](#) (12 V; 75 A) (3019)

1



FUEL FILTER

[RE62418](#) (35D3) (35D4)
[RE60021](#) (35G4)

500 hrs of operation or every 12 months.

2



STARTER

[RE546868](#) (12V, 3.2 KW) (30BA)
[RE552251](#) (24V, 3.5 KW) (30CA)

3



OIL FILTER

[RE504836](#) (8843)

500 hrs of operation or every 12 months.

4



CRANKSHAFT PULLEY & DAMPER

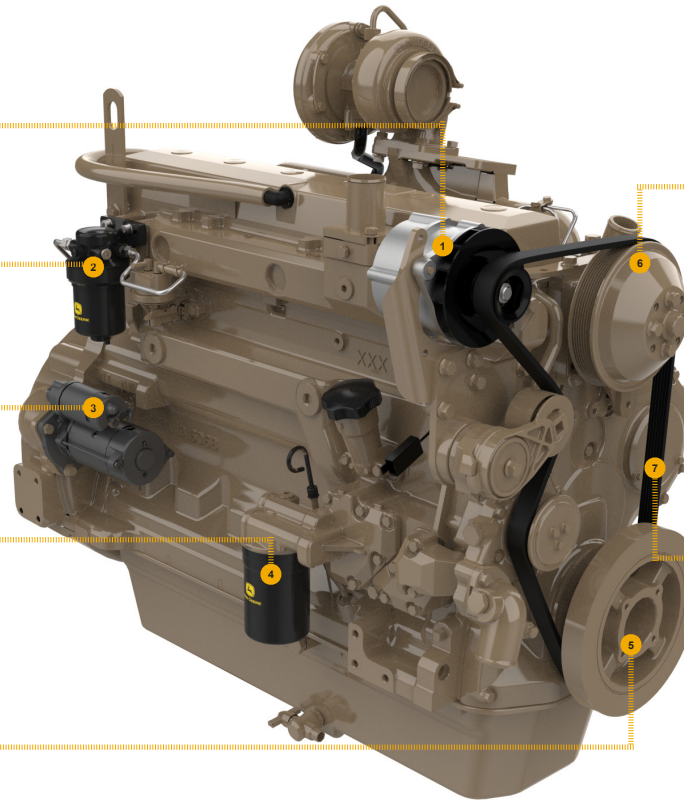
[RE59355](#) (OD = 255mm) (6801)
[RE500013](#) (OD = 264mm) (6803)
[DZ119883](#) (OD= 350mm) (6813)
[R133296](#) (OD= 193mm) (1305)
[R133295](#) (OD= 173mm) (1306)
[RE505939](#) (OD= 255mm) (1321)
[RE505881](#) (OD= 255 mm) (1324)
[R545126](#) (OD= 173mm) (1333)

5



SHORT BLOCK ASSEMBLY

[DZ110282](#)



FAN PULLEY

[R128658](#) (OD= 140mm) (OD= 145mm) (8604) (8607) (8610)
[R128662](#) (OD= 203mm) (8609) (8606) (8612)
[R128659](#) (OD= 154mm) (OD= 159mm) (8652) (8654) (8657)
[R128661](#) (OD=183.5mm) (8653) (8655) (8658)
[R128660](#) (OD=173mm) (OD=168mm) (8605) (8608) (8611)



6

FAN BELT

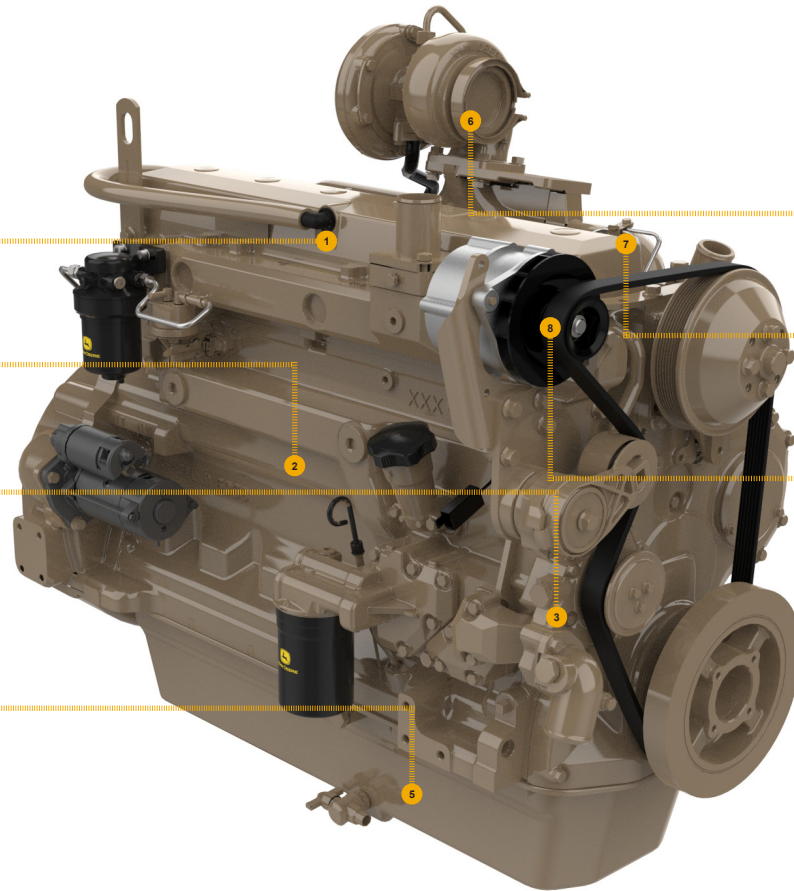
[DZ115455](#) (LGTH = 1550mm) (2407)
[DZ117268](#) (LGTH = 1530mm) (24BK)
[DZ118763](#) (LGTH = 1490mm) (240A)
[DZ118801](#) (LGTH = 1720mm) (24FJ)
[DZ119060](#) (LGTH = 1558mm) (2422) (24AW)
[DZ119062](#) (LGTH = 1550mm) (240C) (240R)
[DZ119063](#) (LGTH = 1563mm) (24HC) (24VM)
[DZ119416](#) (LGTH = 1595mm) (2416)
[DZ119477](#) (LGTH = 1565mm) (2423)
[DZ119478](#) (LGTH = 1570mm) (2420)
[DZ119516](#) (LGTH = 1558mm) (24LY)
[DZ119520](#) (LGTH = 1605mm) (2477) (2478)
[DZ119522](#) (LGTH = 1632mm) (24BQ)
[DZ119715](#) (LGTH = 1625mm) (2429)
[R500277](#) (LGTH = 1500mm) (24HM)
[T428724](#) (LGTH = 1575mm) (2409)
[T428725](#) (LGTH = 1640mm) (24DU)
[T428818](#) (LGTH = 1590mm) (240F)
[T428820](#) (LGTH = 1580mm) (2479)
[T428822](#) (LGTH = 1615mm) (24MD)
[T428823](#) (LGTH = 1638mm) (24MB)
[T428825](#) (LGTH = 1653mm) (LGTH = 1650mm) (2425) (2480) (24MA)
[T428863](#) (LGTH = 1620mm) (24LZ)



7

REMAN PARTS GUIDE

Power Unit for Genset 6.8L 6068HFG20 OEM Non-Certified Engine



CYLINDER HEAD

[SE501581](#) (REMAN FOR [RE57489](#)) (5107)



CONNECTING ROD

[SE501094](#) (REMAN FOR [RE500608](#)) (48AK) (4824)



WATER PUMP

[SE501609](#) (REMAN FOR [RE546906](#)) (4426)



OIL PUMP

[SE501814](#) (REMAN FOR [DZ100057](#)) (5001)



TURBOCHARGER

[SE502333](#) (REMAN FOR [RE509435](#)) (65AC)



NOZZLE

[SE501311](#) (REMAN FOR [RE505079](#) OR [RE506898](#)) (1626) (1629)
[SE501101](#) (REMAN FOR [RE48786](#)) (1611) (1619) (16GT) (16GY)



ALTERNATOR

[SE501341](#) (REMAN FOR [AT161324](#) OR [AT185696](#)) (24V, 45A) (3104)
[SE501387](#) (REMAN FOR [AT173624](#) OR [AT220393](#)) (12V, 65A) (3109)
[SE502626](#) (REMAN FOR [RE533516](#)) (12V, 75A) (3109)



JOHN DEERE
Genuine Parts and Service