

REPLACEMENT PART GUIDE

6068SFM75 PowerTech 6.8L Marine (6068 Tier 2 Engine)



FAN BELT



[DZ119515](#) (LGTH = 1587 mm) (24GC)
[DZ118764](#) (LGTH = 1527 mm) (24GB)

SHORT BLOCK ASSEMBLY

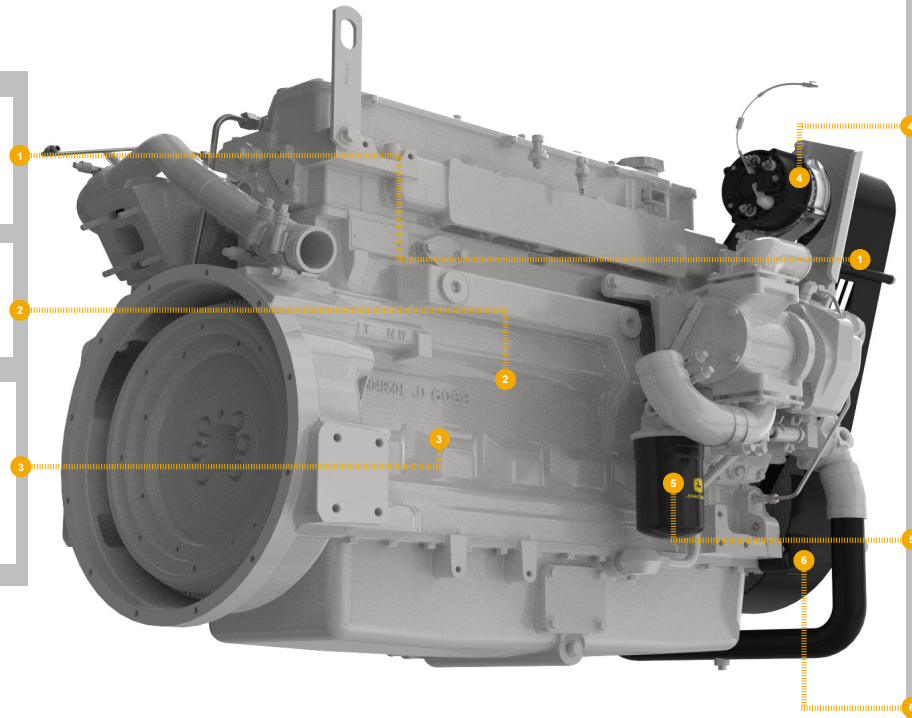


[DZ109718](#) (9901)

STARTER



[RE564633](#) (24V) (3090)
[RE70957](#) (12V) (3006)
[RE536490](#) (ISKRA, 12V, 4KW) (30AG)
[RE501150](#) (24V) (3041)



ALTERNATOR



[RE537146](#) (ISKRA, 28V, 50A) (3142)
[DZ114957](#) (BOSCH, 24V, 45A) (3142)
[DZ117503](#) (24V, 140A) (3127)
[RE540412](#) (14V, 75A) (3148)
[RE540413](#) (28V, 50A) (3149)
[AH165975](#) (12V, 120A) (3141)
[RE533654](#) (12V, 120A) (3141)
[RE533653](#) (ISKRA, 12V, 95A) (3140)
[AH137883](#) (BOSCH, 12V, 95A) (3140)
[RE533516](#) (12V, 75A) (3138)
[DZ114956](#) (12V, 65A) (3138)

FUEL FILTER



[RE527960](#) (35EK)
[RE527961](#) (35EK, 8172, 8173)
[RE525523](#) (35EK)
[RE520906](#) (8172, 8173)

500 hrs of operation or every 12 months.

DAMPER



[RE528010](#) (6812)

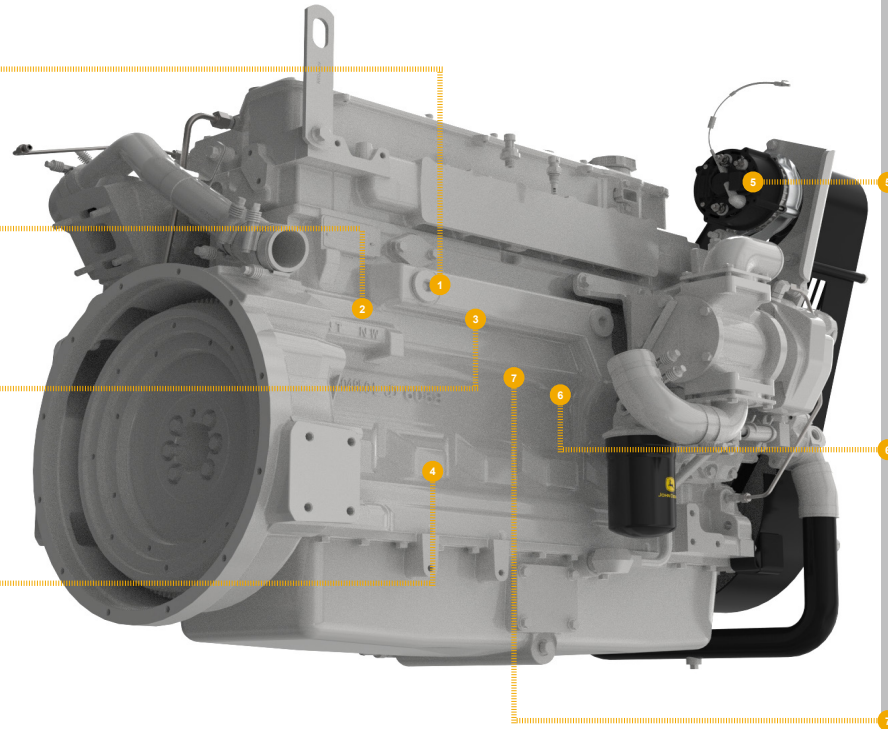


JOHN DEERE
Genuine Parts and Service



REMAN PARTS GUIDE

6068SFM75 PowerTech 6.8L Marine (6068 Tier 2 Engine)



CONNECTING ROD

[SE501094](#) (REMAN FOR [RE500608](#)) (4834)



CYLINDER HEAD

[SE501583](#) (REMAN FOR [RE521639](#)) (5120)



FUEL INJECTION PUMP

[SE501915](#) (REMAN FOR [RE507959](#)) (16BS)



STARTER

[SE501406](#) (REMAN FOR [RE501150](#)) (24V) (3041)

[SE502733](#) (REMAN FOR [RE564633](#)) (24V) (3090)

[SE501403](#) (REMAN FOR [RE70957](#)) (3006)

ALTERNATOR

[SE501342](#) (REMAN FOR [AH137883](#)) (12V, 95A) (3140)

[SE501343](#) (REMAN FOR [AH165975](#)) (12V, 120 A) (3141)

[SE502626](#) (REMAN FOR [RE533516](#)) (12V, 75A) (3138)

[SE502627](#) (REMAN FOR [RE533653](#)) (12V, 95A) (3140)

[SE502628](#) (REMAN FOR [RE533654](#)) (12V, 120A) (3141)

[RM100225](#) (REMAN FOR [RE537146](#)) (28V, 50A) (3142)

[RM100226](#) (REMAN FOR [RE540412](#)) (14V, 75A) (3148)



CONTROLLER

[SE502801](#) (REMAN FOR [RE520953](#)) (16BS)

[SE502800](#) (REMAN FOR [RE531808](#)) (16BS)

COMPLETE BLOCK ASSEMBLY

[SE501772](#)

With auxillary drive may not be as illustrated includes cylinder head with valves and rocker arm assembly, includes balancer shafts, oil pump assembly, complete gasket kit with front and rear seals.



[SE500738](#)

With auxillary drive may not be as illustrated includes cylinder head with valves and rocker arm assembly, includes balancer shafts, oil pump assembly, complete gasket kit with front and rear seals.



JOHN DEERE
Genuine Parts and Service