

850L

Dozer



JOHN DEERE



PACKED TO POWER YOUR PRODUCTIVITY

When you work in site development, roadbuilding, or mass excavating, you need to get the most from your equipment and your operators. We've relied on input from real-world customers like you to design and manufacture our dozers for nearly 75 years. The John Deere 850L features some of your best ideas, like impressive horsepower and torque, reliable systems, durable components, and flexible grade-control solutions that can be easily and economically upgraded. And because retaining skilled and productive operators is always a priority, we've made the operating experience an important part of what the 850L Dozer has to offer.

It hardly seems like work

A 27-percent-quieter and 15-percent-larger cab than the previous model features more glass area and a streamlined hood profile, optimizing comfort and visibility to the blade ahead and the surrounding jobsite. Ergonomic joysticks enable intuitive, low-effort command of the transmission, hydraulics, and rear implement, and also includes proportional blade-angle control. Large, easy-to-navigate monitor provides push-button access to a wealth of machine information, including temperatures, pressures, and diagnostics.

Muscle meets performance

With its 9.0L engine that delivers a whopping 20 more horsepower and 23-percent more peak torque than the previous model, the 850L can cover more area and move more material quicker when carrying large loads. Even with the added power, fuel consumption remains comparable to the previous series.

Hydrostatic dynamics

The John Deere hydrostatic system simplifies operation and redefines durability. Each track has its own independent hydrostatic pump and motor, and the blade and ripper functions have their own independent hydraulic pump, allowing both transmission and hydraulic operating characteristics to be tailored to individual preference without sacrificing hydraulic speed. And heavy loads can be carried through turns and counter-rotations while the dozer is in gear or neutral.

Service is no big deal

Routing of the electrical and hydraulic systems has been significantly simplified to nearly eliminate wear points, improving reliability and ease of maintenance over earlier models. Operator station that tilts 65 degrees and enlarged service doors provide quick access to main components and checkpoints. Hydraulic and hydrostatic oil-change intervals extended from 2,000 to 4,000 hours help further minimize maintenance and expense.





GRADE- MANAGEMENT SOLUTIONS

Our suite of factory-integrated grade-management technologies including optional 2D Slope Control and SmartGrade™ 3D grade control simplify difficult grading tasks. These intuitive offerings are easy for operators of any experience level to master. All technology options are fully supported by the John Deere dealer network and can be efficiently upgraded as your operation evolves:

- **Slope Control** assists in grading and maintaining flat, smooth, and sloping surfaces. Operators can view and set blade slope while the system automatically controls the blade to the desired slope percentage.
- Fully integrated **SmartGrade** features next-generation components and integration, enabling the highest levels of productivity and grading performance.
- Standard **electrohydraulic (EH) controls** make it easy to add the grade-control system of your choice.



GRADE-MANAGEMENT OPTIONS
**STREAMLINE
GRADING TASKS &
LEARNING CURVES**

Hit the ground running

Eight-roller, 130-inch undercarriage puts more track on the ground, for better stability and fine-grading capability over its predecessor.

Grade on the wide side

At 172 inches, the power-angle-tilt (PAT) blade is the widest in its class — helping to increase productivity, especially for grading applications on larger jobsites. A thumb roller on the right joystick enables precise, proportional control of PAT blade angle.

Comfortable and in control

Optional automatic temperature control (ATC) system allows operators to select a desired temperature. Angled to ease operator fatigue when making ripping passes, both the standard deluxe fabric-covered seat and optional premium leather-accented heated/ventilated seat help enhance the in-cab experience. Add an optional rearview camera to see behind the dozer on the color monitor.

Ready for rugged

The 850L has been beefed-up with thicker sheet metal, a heavier-duty mainframe, and a more robust c-frame-to-mainframe joint than previous models. A durable heavy-duty undercarriage comes standard. Or opt for Extended Life undercarriage with SC-2™-treated bushings, a proven parts coating that delivers up to twice the wear life.

Resource management

Standard Eco mode adjusts engine power and transmission settings automatically based on load while maintaining ground speed, to optimize fuel economy. Auto-idle also helps save fuel by reducing engine speed when the dozer isn't moving. Auto shutdown turns the engine off after an operator-determined period of idling, further minimizing fuel use while reducing wear on components.



**OPTIONAL ATC SYSTEM
KEEPS THE CAB COMFORTABLE
IN ANY CLIMATE CONDITION**



850L DOZER



Now you mean business

Configurations including pipelayer-ready, mechanical-angle blade, waste handler, and forestry package let you put this versatile dozer to work in a variety of unique applications.

Precision Construction

From grade management and obstacle detection to product automation features and jobsite intelligence, this suite of construction technology delivers productivity solutions to help you get more done, more efficiently.

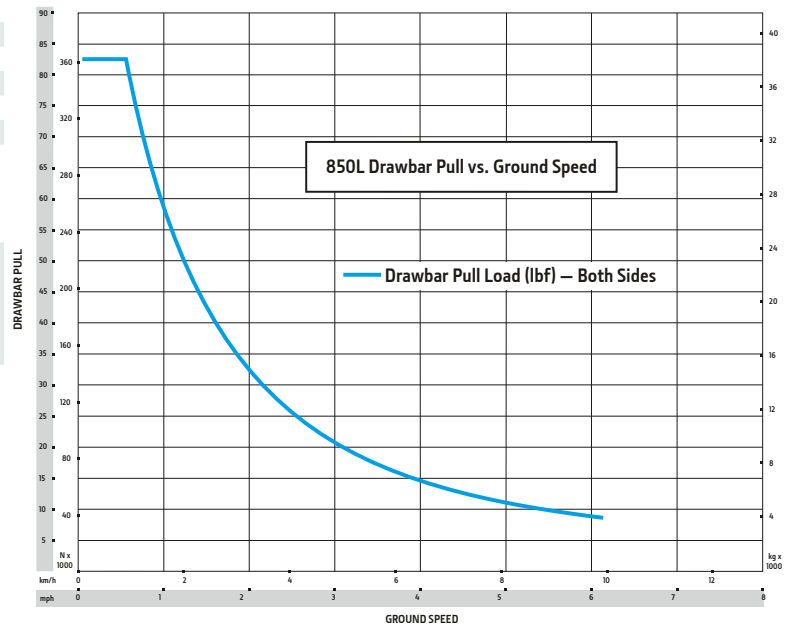
John Deere construction equipment comes with in-base connectivity — free from subscriptions or annual renewals. Analyze critical machine data, track utilization, review diagnostic alerts, and more from **the John Deere Operations Center™**. The Operations Center also enables **John Deere Connected Support™**, which uses data from thousands of connected machines to proactively address issues before they arise. Your dealer can also remotely monitor machine health, diagnose problems, and even update machine software without a trip to the jobsite.*

*Availability varies by region and product. Options not available in every country.



850L DOZER SPECIFICATIONS

| | | |
|-------------------------------|--|--|
| Engine | 850L XLT / 850L WLT / 850L LGP | |
| Blade Type | Power-Angle-Tilt (PAT) / Outside Dozer (OSD) | |
| Manufacturer and Model | John Deere PowerTech™ PSS 6090 | |
| Non-Road Emission Standard | EPA Final Tier 4/EU Stage IV | |
| Displacement | 9.0L (549 cu. in.) | |
| SAE Net Rated Power | 168 kW (225 hp) at 1,700 rpm | |
| Net Peak Torque | 1126 Nm (831 ft.-lb.) at 1,500 rpm | |
| Aspiration | Turbocharged and air-to-air aftercooled | |
| Air Cleaner | Dual-element dry canister with external rotary ejector precleaner | |
| Cooling | | |
| Type | Variable-speed suction fan with automatic reversing | |
| Engine Coolant Rating | -37 deg. C (-34 deg. F) | |
| Engine Radiator | 7 fins per in. | |
| Powertrain | | |
| Transmission | Automatic, dual-path, hydrostatic (HST) drive; load-sensing feature automatically adjusts speed and power to match changing load conditions; each individually controlled track is powered by a variable-displacement piston pump and motor combination; ground-speed selection buttons on single-lever steering and direction control; reverse speed ratio is fully operator customizable; decelerator pedal provides infinite speed control from full speed to complete stop | |
| System Relief Pressure | 47 574 kPa (6,900 psi) | |
| Travel Speeds | | |
| Forward and Reverse | 9.7 km/h (6.0 mph) | |
| Maximum (operator selectable) | 11.0 km/h (6.8 mph) | |
| Steering | Single-lever steering, speed, direction control, and counter-rotation; full power turns and infinitely variable track speeds provide unlimited maneuverability and optimum control; HST steering eliminates steering clutches and brakes | |
| Final Drives | Double-reduction, planetary final drives mounted independently of track frames and dozer push frames for isolation from shock loads | |
| Total Ratio | 44.75 to 1 | |
| Drawbar Pull | | |
| Maximum | 365 kN (82,000 lb.) | |
| At 1.9 km/h (1.2 mph) | 226 kN (50,700 lb.) | |
| At 3.2 km/h (2.0 mph) | 143 kN (32,000 lb.) | |
| Brakes | Decelerator/brake pedal; automatic power management with manual override for matching ground speed | |
| Service | HST (dynamic) braking stops the machine whenever the direction/steering-control lever is moved to neutral or the decelerator is depressed to the end of travel | |
| Parking | Exclusive safety feature engages wet, multiple-disc brakes whenever the engine stops, the decelerator is depressed to the end of travel, or motion is detected while the transmission control is in neutral; machine cannot be driven with brake applied, minimizing wearout; spring applied, hydraulic release | |



| | | |
|------------------------------------|---|------------|
| Hydraulics | PAT | OSD |
| Blade Type | Open-center load-sense hydraulic system with variable-displacement piston pump | |
| Type | 74 cc | |
| Pump Displacement | 24 993 kPa (3,625 psi) | |
| System Relief Pressure | 1896 kPa (275 psi) | |
| Differential Pressure | 155 L/m (41 gpm) | |
| Maximum Flow at Unloaded High Idle | 3-function electrohydraulic (EH) joystick with proportional roller-angle function | |
| Control | 3-function EH joystick with proportional roller for optional power-pitch function | |

| | |
|-------------------|---|
| Electrical | PAT / OSD |
| Blade Type | 24 volts |
| Voltage | 950 CCA |
| Capacity | 190 min. |
| Battery | 130 amp |
| Reserve | LED: grille mounted (2); rear mounted (2); roof mounted, forward facing (2); and engine compartment (1) |
| Alternator Rating | |
| Lights | |

While general information, pictures, and descriptions are provided, some illustrations and text may include product options and accessories NOT AVAILABLE in all regions, and in some countries products and accessories may require modifications or additions to ensure compliance with the local regulations of those countries.

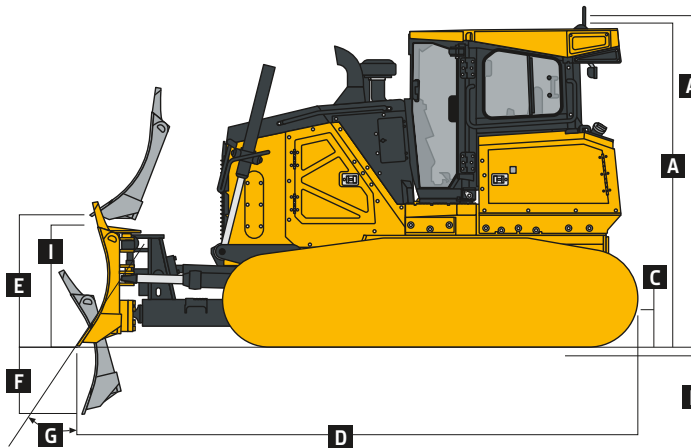
| Undercarriage | 850L XLT | 850L WLT | 850L LGP | 850L XLT | 850L WLT | 850L LGP |
|--|---|---|--|---|---|--|
| Blade Type | PAT | PAT | PAT | OSD | OSD | OSD |
| Tracks | Track frame with front and rear track guides and sprocket guard; John Deere DuraTrax™ features deep-heat-treated, sealed, and lubricated track links and through-hardened, sealed, and lubricated rollers for maximum wear resistance; sprockets are segmented; extreme-duty shoes are available (on some models) for severe applications | | | | | |
| Track Gauge | 2134 mm (84 in.) | 2286 mm (90 in.) | 2438 mm (96 in.) | 1880 mm (74 in.) | 2032 mm (80 in.) | 2184 mm (86 in.) |
| Grouser Width | 610 mm (24 in.) | 760 mm (30 in.) | 910 mm (36 in.) | 610 mm (24 in.) | 760 mm (30 in.) | 910 mm (36 in.) |
| Chain | Sealed and lubricated | | Sealed and lubricated | | Sealed and lubricated | |
| Shoes, Each Side | 45 | 45 | 45 | 45 | 45 | 45 |
| Track Rollers, Each Side | 8 | 8 | 8 | 8 | 8 | 8 |
| Track Length on Ground | 3300 mm (130 in.) | 3300 mm (130 in.) | 3300 mm (130 in.) | 3300 mm (130 in.) | 3300 mm (130 in.) | 3300 mm (130 in.) |
| Ground Contact Area | 44 115 cm ² (6,838 sq. in.) | 54 963 cm ² (8,519 sq. in.) | 65 811 cm ² (10,200 sq. in.) | 44 115 cm ² (6,838 sq. in.) | 54 963 cm ² (8,519 sq. in.) | 65 811 cm ² (10,200 sq. in.) |
| Ground Pressure | 49.1 kPa (7.1 psi) | 40.4 kPa (5.9 psi) | 34.4 kPa (5.0 psi) | 47.9 kPa (6.9 psi) | 39.7 kPa (5.8 psi) | 34.4 kPa (5.0 psi) |
| Track Pitch | 203 mm (8 in.) | 203 mm (8 in.) | 203 mm (8 in.) | 203 mm (8 in.) | 203 mm (8 in.) | 203 mm (8 in.) |
| Operator Station | 850L XLT / 850L WLT / 850L LGP | | | | | |
| Blade Type | PAT / OSD | | | | | |
| ROPS (ISO 3471 – 2008) | | | | | | |
| Serviceability | | | | | | |
| Refill Capacities | | | | | | |
| Fuel Tank With Lockable Cap | 439 L (116 gal.) | | | | | |
| Cooling System With Recovery Tank | 39.7 L (10.5 gal.) | | | | | |
| Engine Oil With Filter | 25 L (6.6 gal.) | | | | | |
| Reservoir With Filter | | | | | | |
| Transmission | 105 L (27.6 gal.) | | | | | |
| Hydraulic | 117 L (30.9 gal.) | | | | | |
| Diesel Exhaust Fluid (DEF) Reservoir | 23.7 L (6.3 gal.) | | | | | |
| Operating Weights | 850L XLT | 850L WLT | 850L LGP | 850L XLT | 850L WLT | 850L LGP |
| Blade Type | PAT | PAT | PAT | OSD | OSD | OSD |
| Base Weight (with standard equipment, rollover protective structures [ROPS], full fuel tank, and 79-kg [175 lb.] operator) | 22 126 kg (48,779 lb.) | 22 793 kg (50,250 lb.) | 22 827 kg (50,325 lb.) | 23 275 kg (51,313 lb.) | 23 299 kg (51,365 lb.) | 21 581 kg (47,578 lb.) |
| 22 407 kg (49,400 lb.) | 23 295 kg (51,356 lb.) | | | | | |
| Optional Components | | | | | | |
| Front and Door Screens | 50 kg (110 lb.) | 50 kg (110 lb.) | 50 kg (110 lb.) | 50 kg (110 lb.) | 50 kg (110 lb.) | 50 kg (110 lb.) |
| Rear Screen | 20 kg (44 lb.) | 20 kg (44 lb.) | 20 kg (44 lb.) | 20 kg (44 lb.) | 20 kg (44 lb.) | 20 kg (44 lb.) |
| Side Screens | 36 kg (78 lb.) | 36 kg (78 lb.) | 36 kg (78 lb.) | 36 kg (78 lb.) | 36 kg (78 lb.) | 36 kg (78 lb.) |
| Condenser Guard (cab with air conditioner) | 53 kg (117 lb.) | 53 kg (117 lb.) | 53 kg (117 lb.) | 53 kg (117 lb.) | 53 kg (117 lb.) | 53 kg (117 lb.) |
| Limb Risers | 481 kg (1,061 lb.) | 481 kg (1,061 lb.) | 481 kg (1,061 lb.) | 481 kg (1,061 lb.) | 481 kg (1,061 lb.) | 481 kg (1,061 lb.) |
| Heavy-Duty Grille | 30 kg (80 lb.) | 30 kg (80 lb.) | 30 kg (80 lb.) | 30 kg (80 lb.) | 30 kg (80 lb.) | 30 kg (80 lb.) |
| Counterweight | | | | | | |
| Front | 355 kg (783 lb.) | 355 kg (783 lb.) | 355 kg (783 lb.) | 355 kg (783 lb.) | 355 kg (783 lb.) | 355 kg (783 lb.) |
| Rear | 449 kg (990 lb.) | 449 kg (990 lb.) | 449 kg (990 lb.) | 449 kg (990 lb.) | 449 kg (990 lb.) | 449 kg (990 lb.) |
| Retrieval Hitch | 52 kg (114 lb.) | 52 kg (114 lb.) | 52 kg (114 lb.) | 52 kg (114 lb.) | 52 kg (114 lb.) | 52 kg (114 lb.) |
| Drawbar, Extended Rigid | 130 kg (286 lb.) | 130 kg (286 lb.) | 130 kg (286 lb.) | 130 kg (286 lb.) | 130 kg (286 lb.) | 130 kg (286 lb.) |
| Full-Length Rock Guards | 242 kg (534 lb.) | 242 kg (534 lb.) | 242 kg (534 lb.) | 242 kg (534 lb.) | 222 kg (490 lb.) | 222 kg (490 lb.) |
| Pre-Cleaner, Powered Cab Air | 3 kg (7 lb.) | 3 kg (7 lb.) | 3 kg (7 lb.) | 3 kg (7 lb.) | 3 kg (7 lb.) | 3 kg (7 lb.) |
| Track Shoes | | | | | | |
| 610-mm (24 in.) Moderate Duty | In base | -414 kg (-913 lb.) | -414 kg (-913 lb.) | -846 kg (-1,865 lb.) | -846 kg (-1,865 lb.) | In base |
| 610-mm (24 in.) Extreme Duty | 333 kg (734 lb.) | -81 kg (-179 lb.) | -81 kg (-179 lb.) | -513 kg (-1,131 lb.) | -513 kg (-1,131 lb.) | 333 kg (734 lb.) |
| 760-mm (30 in.) Moderate Duty | — | In base | In base | -432 kg (-952 lb.) | -432 kg (-952 lb.) | — |
| 760-mm (30 in.) Extreme Duty | — | 459 kg (1,012 lb.) | 459 kg (1,012 lb.) | 27 kg (60 lb.) | 27 kg (60 lb.) | 459 kg (1,012 lb.) |
| 910-mm (36 in.) Moderate Duty | — | — | — | In base | In base | — |
| 910-mm (36 in.) Extreme Duty | — | — | — | 531 kg (1,171 lb.) | 531 kg (1,171 lb.) | — |
| | | | | | | 531 kg (1,171 lb.) |

While general information, pictures, and descriptions are provided, some illustrations and text may include product options and accessories NOT AVAILABLE in all regions, and in some countries products and accessories may require modifications or additions to ensure compliance with the local regulations of those countries.

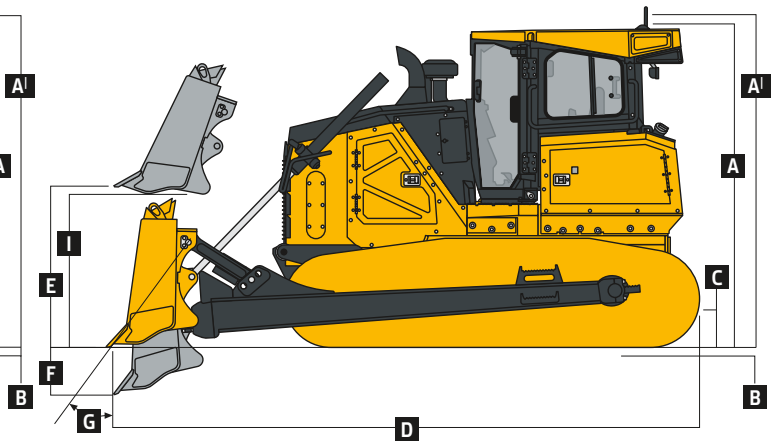
850L DOZER SPECIFICATIONS (continued)

| Operating Weights (continued) | | 850L XLT | | | 850L WLT | | | 850L LGP | | |
|---|--|--|--|--|--|--|--|--|--|--|
| Blade Type | | Power-Angle-Tilt (PAT) | | | PAT | | | Outside Dozer (OSD) | | |
| Waste Handler | | | | | | | | | | |
| Waste-Handler Grille | | — | — | — | —20.5 kg (-45 lb.) | — | — | — | — | -20.5 kg (-45 lb.) |
| Heavy-Duty (HD) Fender Guards | | 211 kg (466 lb.) | 211 kg (466 lb.) | 211 kg (466 lb.) | 211 kg (466 lb.) | 211 kg (466 lb.) | 235 kg (518 lb.) | 235 kg (518 lb.) | 235 kg (518 lb.) | 235 kg (518 lb.) |
| Final-Drive Trash Guards | | 70 kg (155 lb.) | 70 kg (155 lb.) | 70 kg (155 lb.) | 70 kg (155 lb.) | 70 kg (155 lb.) | 70 kg (155 lb.) | 70 kg (155 lb.) | 70 kg (155 lb.) | 70 kg (155 lb.) |
| Rotary Ejector Engine Air Blade Trash Rack | | 9 kg (20 lb.) | 9 kg (20 lb.) | 9 kg (20 lb.) | 9 kg (20 lb.) | 9 kg (20 lb.) | 9 kg (20 lb.) | 9 kg (20 lb.) | 9 kg (20 lb.) | 9 kg (20 lb.) |
| | | — | — | — | 208 kg (458 lb.) | — | — | — | — | 269 kg (593 lb.) |
| Striker Bars | | | | | | | | | | |
| Front | | — | — | — | 60 kg (132 lb.) | — | — | — | — | 76 kg (168 lb.) |
| With Storage Box, Rear | | — | — | — | 720 kg (1,584 lb.) | — | — | — | — | 720 kg (1,584 lb.) |
| Machine Dimensions | | 850L XLT | | | 850L WLT | | | 850L LGP | | |
| Blade Type | | PAT | PAT | PAT | PAT | PAT | OSD | OSD | OSD | Mechanical Angle |
| A Overall Height to Roof (includes antenna base and grouser height)* | | 3344 mm (11 ft. 0 in.)* | 3344 mm (11 ft. 0 in.)* | 3344 mm (11 ft. 0 in.)* | 3344 mm (11 ft. 0 in.)* | 3344 mm (11 ft. 0 in.)* | 3344 mm (11 ft. 0 in.)* | 3344 mm (11 ft. 0 in.)* | 3344 mm (11 ft. 0 in.)* | — |
| A Overall Height With Limb Risers (includes grousers)* | | 3438 mm (11 ft. 3 in.)* | 3438 mm (11 ft. 3 in.)* | 3438 mm (11 ft. 3 in.)* | 3438 mm (11 ft. 3 in.)* | 3438 mm (11 ft. 3 in.)* | 3438 mm (11 ft. 3 in.)* | 3438 mm (11 ft. 3 in.)* | 3438 mm (11 ft. 3 in.)* | — |
| B Tread Depth With Single-Bar Grouser | | | | | | | | | | |
| Moderate Duty | | 66 mm (2.6 in.) | 66 mm (2.6 in.) | 66 mm (2.6 in.) | 66 mm (2.6 in.) | 66 mm (2.6 in.) | 66 mm (2.6 in.) | 66 mm (2.6 in.) | 66 mm (2.6 in.) | — |
| Extreme Duty | | 71 mm (2.8 in.) | 71 mm (2.8 in.) | 71 mm (2.8 in.) | 71 mm (2.8 in.) | 71 mm (2.8 in.) | 71 mm (2.8 in.) | 71 mm (2.8 in.) | 71 mm (2.8 in.) | — |
| C Ground Clearance in Dirt | | 394 mm (15.5 in.) | 394 mm (15.5 in.) | 394 mm (15.5 in.) | 394 mm (15.5 in.) | 394 mm (15.5 in.) | 394 mm (15.5 in.) | 394 mm (15.5 in.) | 394 mm (15.5 in.) | — |
| D Overall Length | | | | | | | | | | |
| | | 5727 mm (225 in.) (18 ft. 9.5 in.) | 5727 mm (225 in.) (18 ft. 9.5 in.) | 5727 mm (225 in.) (18 ft. 9.5 in.) | 5727 mm (225 in.) (18 ft. 9.5 in.) | 5727 mm (225 in.) (18 ft. 9.5 in.) | 5927 mm (233 in.) (19 ft. 5 in.) | 5927 mm (233 in.) (19 ft. 5 in.) | 5927 mm (233 in.) (19 ft. 5 in.) | 6007 mm (236 in.) (19 ft. 8 in.) |
| With Standard Drawbar | | 5622 mm (18 ft. 5 in.) | 5622 mm (18 ft. 5 in.) | 5622 mm (18 ft. 5 in.) | 5622 mm (18 ft. 5 in.) | 5622 mm (18 ft. 5 in.) | 5823 mm (229 in.) (19 ft. 1 in.) | 5823 mm (229 in.) (19 ft. 1 in.) | 5823 mm (229 in.) (19 ft. 1 in.) | 5902 mm (232 in.) (19 ft. 4 in.) |
| With Extended Drawbar | | 5979 mm (235 in.) (19 ft. 7 in.) | 5979 mm (235 in.) (19 ft. 7 in.) | 5979 mm (235 in.) (19 ft. 7 in.) | 5979 mm (235 in.) (19 ft. 7 in.) | 5979 mm (235 in.) (19 ft. 7 in.) | 6180 mm (243 in.) (20 ft. 3 in.) | 6180 mm (243 in.) (20 ft. 3 in.) | 6180 mm (243 in.) (20 ft. 3 in.) | 6259 mm (246 in.) (20 ft. 6 in.) |
| E Blade Lift Height | | 1062 mm (3 ft. 6 in.) | 1062 mm (3 ft. 6 in.) | 1062 mm (3 ft. 6 in.) | 1062 mm (3 ft. 6 in.) | 1062 mm (3 ft. 6 in.) | 1157 mm (46 in.) (3 ft. 10 in.) | 1157 mm (46 in.) (3 ft. 10 in.) | 1157 mm (46 in.) (3 ft. 10 in.) | 1176 mm (46 in.) (3 ft. 10 in.) |
| F Blade Digging Depth | | 704 mm (28 in.) | 704 mm (28 in.) | 704 mm (28 in.) | 704 mm (28 in.) | 704 mm (28 in.) | 596 mm (23 in.) | 596 mm (23 in.) | 596 mm (23 in.) | 639 mm (25 in.) |
| G Blade Cutting-Edge Angle, Adjustable | | 54.8 to 59.9 deg. | 54.8 to 59.9 deg. | 54.8 to 59.9 deg. | 54.8 to 59.9 deg. | 54.8 to 59.9 deg. | 52.5 to 60.5 deg. | 52.5 to 60.5 deg. | 52.5 to 60.5 deg. | 58.5 deg. |

*With antenna whip removed.



850L XLT / 850L WLT / 850L LGP WITH POWER-ANGLE-TILT (PAT) BLADE

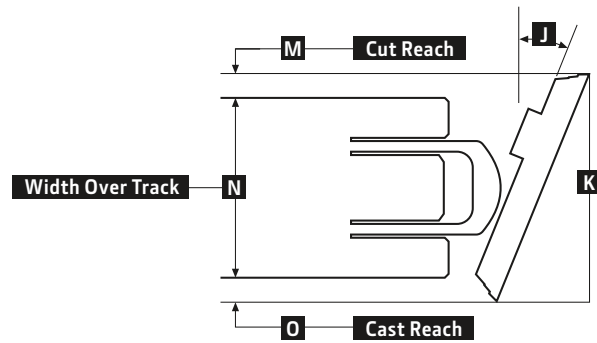
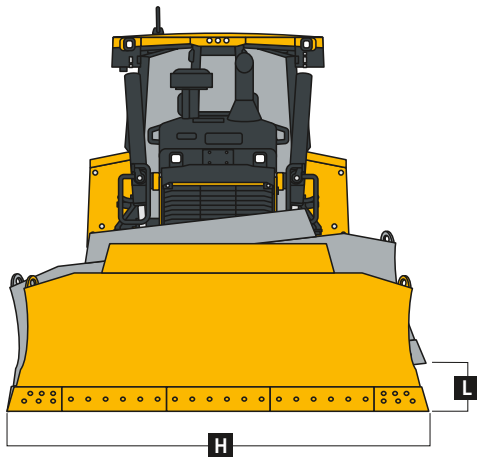


850L XLT / 850L WLT / 850L LGP WITH OUTSIDE DOZER (OSD) BLADE

While general information, pictures, and descriptions are provided, some illustrations and text may include product options and accessories NOT AVAILABLE in all regions, and in some countries products and accessories may require modifications or additions to ensure compliance with the local regulations of those countries.

Machine Dimensions
(continued) (see line art below
and at bottom right of page 8)

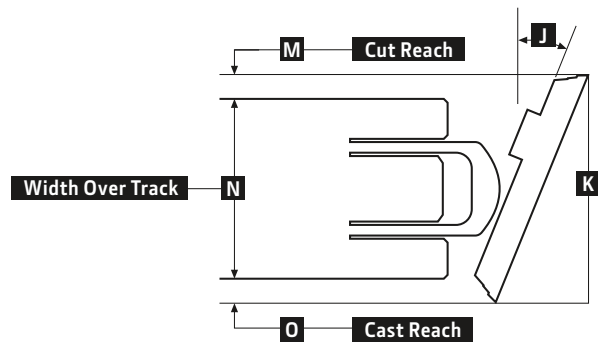
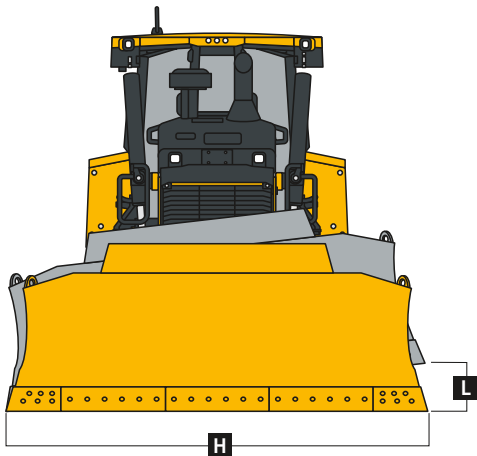
| Blade Type | 850L XLT | 850L WLT | 850L LGP | | | 850L XLT | 850L WLT | 850L LGP | Mechanical Angle |
|--|--|---|--|--|---|-----------------|----------|---|--|
| | PAT | PAT | PAT | PAT | PAT | OSD | OSD | OSD | |
| | Straight | | | | | Straight | | | |
| H Blade Width | 3708 mm (146 in.) (12 ft. 2 in.) | 4013 mm (158 in.) (13 ft. 2 in.) | 4267 mm (168 in.) (14 ft. 0 in.) | 4267 mm (168 in.) (14 ft. 0 in.) | 4359 mm (172 in.) (14 ft. 4 in.) | — | — | 3912 mm (154 in.) (12 ft. 10 in.) | — |
| I Blade Height | 1229 mm (48 in.) (4 ft. 0 in.) | 1229 mm (48 in.) (4 ft. 0 in.) | 1229 mm (48 in.) (4 ft. 0 in.) | 1229 mm (48 in.) (4 ft. 0 in.) | 1229 mm (48 in.) (4 ft. 0 in.) | — | — | 1264 mm (50 in.) (4 ft. 2 in.) | — |
| SAE Capacity | 3.9 m ³ (5.2 cu. yd.) | 4.2 m ³ (5.5 cu. yd.) | 4.5 m ³ (5.9 cu. yd.) | 4.5 m ³ (5.9 cu. yd.) | 4.6 m ³ (6.0 cu. yd.) | — | — | 4.8 m ³ (6.2 cu. yd.) | — |
| Capacity With Optional Trash Rack | — | — | 9.9 m ³ (12.9 cu. yd.) | 9.9 m ³ (12.9 cu. yd.) | — | — | — | — | — |
| Weight | 1323 kg (2,917 lb.) | 1402 kg (3,092 lb.) | 1469 kg (3,239 lb.) | 1469 kg (3,239 lb.) | 1493 kg (3,291 lb.) | — | — | 1606 kg (3,541 lb.) | — |
| With Optional Trash Rack | — | — | 1677 kg (3,697 lb.) | 1677 kg (3,697 lb.) | — | — | — | — | — |
| C-Frame Assembly Weight (without blade) | 1695 kg (3,737 lb.) | 1695 kg (3,737 lb.) | 1695 kg (3,737 lb.) | 1695 kg (3,737 lb.) | 1695 kg (3,737 lb.) | — | — | 1927 kg (4,248 lb.) | — |
| J Blade Angle | 25 deg. | 25 deg. | 25 deg. | 25 deg. | 25 deg. | — | — | — | — |
| K Overall Width With Blade Angled | 3358 mm (132 in.) (11 ft. 0 in.) | 3634 mm (143 in.) (11 ft. 11 in.) | 3864 mm (151 in.) (12 ft. 7 in.) | 3864 mm (151 in.) (12 ft. 7 in.) | 3948 mm (155 in.) (12 ft. 11 in.) | — | — | — | — |
| L Blade Tilt | 471 mm (19 in.) | 510 mm (20 in.) | 541 mm (21 in.) | 541 mm (21 in.) | 553 mm (22 in.) | — | — | — | — |
| M Cut Reach | 86 mm (3.4 in.) | 73 mm (2.9 in.) | 188 mm (7.4 in.) | 37 mm (1.5 in.) | 79 mm (3.1 in.) | — | — | — | 455 mm (18 in.) |
| N Width Over Track | 2744 mm (108 in.) (9 ft. 0 in.) | 3046 mm (120 in.) (10 ft. 0 in.) | 3046 mm (120 in.) (10 ft. 0 in.) | 3348 mm (132 in.) (11 ft. 0 in.) | 3348 mm (132 in.) (11 ft. 0 in.) | — | — | — | 3099 mm (122 in.) (10 ft. 2 in.) |
| O Cast Reach | 528 mm (21 in.) | 515 mm (20 in.) | 630 mm (25 in.) | 479 mm (19 in.) | 521 mm (21 in.) | — | — | — | 921 mm (36 in.) |



While general information, pictures, and descriptions are provided, some illustrations and text may include product options and accessories NOT AVAILABLE in all regions, and in some countries products and accessories may require modifications or additions to ensure compliance with the local regulations of those countries.

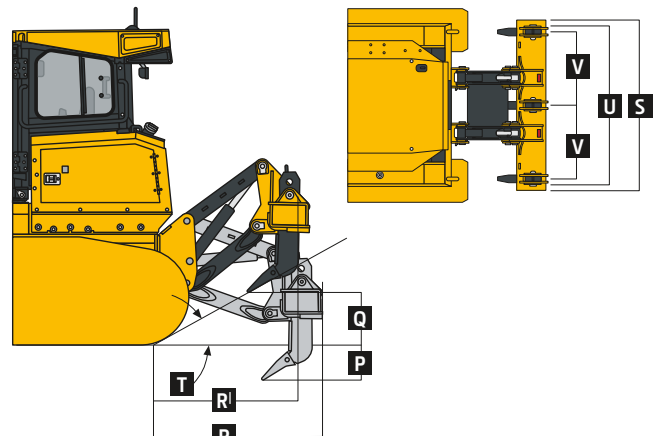
850L DOZER SPECIFICATIONS (continued)

| Machine Dimensions (continued) (see line art below and at bottom right of page 8) | | | | | | | |
|---|------------------------|----------|----------|--|--|--|--|
| | 850L XLT | 850L WLT | 850L LGP | 850L XLT | 850L WLT | 850L LGP | |
| Blade Type | Power-Angle-Tilt (PAT) | | PAT | Outside Dozer (OSD) | | | Mechanical Angle |
| | Semi-U | | | Semi-U | | | |
| H Blade Width | — | — | — | 3266 mm (129 in.) (10 ft. 9 in.) | 3571 mm (141 in.) (11 ft. 9 in.) | 3875 mm (153 in.) (12 ft. 9 in.) | 4935 mm (194 in.) (16 ft. 2 in.) |
| I Blade Height | — | — | — | 1422 mm (56 in.) (4 ft. 8 in.) | 1374 mm (54 in.) (4 ft. 6 in.) | 1321 mm (52 in.) (4 ft. 4 in.) | 1174 mm (46 in.) (3 ft. 10 in.) |
| SAE Capacity | — | — | — | 5.6 m ³ (7.3 cu. yd.) | 5.8 m ³ (7.6 cu. yd.) | 6.2 m ³ (8.0 cu. yd.) | 4.9 m ³ (6.4 cu. yd.) |
| Capacity With Optional Trash Rack | — | — | — | — | — | 11.7 m ³ (15.3 cu. yd.) | — |
| Weight | — | — | — | 1589 kg (3,503 lb.) | 1669 kg (3,680 lb.) | 1743 kg (3,843 lb.) | — |
| With Cylinders and Struts | — | — | — | — | — | — | 2522 kg (5,560 lb.) |
| With Optional Trash Rack | — | — | — | — | — | 2012 kg (4,436 lb.) | — |
| Push-Beam Assembly Weight (without blade) | — | — | — | 1782 kg (3,929 lb.) | 1825 kg (4,023 lb.) | 1927 kg (4,248 lb.) | 1698 kg (3,743 lb.) |
| L Blade Tilt (uses tilt jack) | — | — | — | 807 mm (32 in.) | 799 mm (31 in.) | 782 mm (31 in.) | 822 mm (32 in.) |
| N Width Over Track | — | — | — | 2489 mm (98 in.) (8 ft. 2 in.) | 2794 mm (110 in.) (9 ft. 2 in.) | 3099 mm (122 in.) (10 ft. 2 in.) | — |



Rear Ripper 850L XLT / 850L WLT / 850L LGP

| Blade Type | PAT / OSD |
|--|---------------------------------|
| Multi-shank (3) parallelogram ripper with hydraulic pitch adjustment and ESCO® ripper tips | |
| Weight | 2155 kg (4,750 lb.) |
| P Maximum Penetration | 724 mm (28.5 in.) |
| Q Maximum Clearance Under Tip | 610 mm (24 in.) |
| R Overall Length, Lowered Position | 1626 mm (64 in.) (5 ft. 4 in.) |
| R' Overall Length, Raised Position | 1525 mm (60 in.) (5 ft. 0 in.) |
| S Overall Beam Width | 2400 mm (94 in.) (7 ft. 10 in.) |
| T Slope Angle (full raise) | 24 deg. |
| U Ripping Width | 2146 mm (85 in.) (7 ft. 1 in.) |
| V Distance Between Shanks | 1041 mm (41 in.) (3 ft. 5 in.) |



While general information, pictures, and descriptions are provided, some illustrations and text may include product options and accessories NOT AVAILABLE in all regions, and in some countries products and accessories may require modifications or additions to ensure compliance with the local regulations of those countries.

Additional equipment

Key: ● Standard ▲ Optional or special

See your John Deere dealer for further information.

850L Engine

- Meets EPA Final Tier 4/EU Stage IV emissions
- John Deere PowerTech™ PSS 6090 9.0L engine
- Wet-sleeve cylinder liners
- Eco mode
- Exhaust stack, black
- ▲ Exhaust stack, chrome
- Turbocharged and air-to-air aftercooled
- Dual-element dry canister with external rotary ejector precleaner
- Programmable auto engine shutdown
- Automatic turbo cool-down timer
- Exhaust filter, under hood, with vertical stack
- Fuel filters with automatic electronic priming
- ▲ Severe-duty fuel filter
- ▲ Engine coolant heater, 120 volt
- 130-amp alternator

Cooling

- Hydraulically driven cooling fan, variable-speed suction type
- Engine cooling rated -37 deg. C (-34 deg. F)
- Automatic, programmable reversing fan
- Engine radiator, hydrostatic (HST) cooler, and hydraulic cooler, 7 fins per in.
- Single-plane non-stacked cooler design

Powertrain

- Dual-path HST transmission
- Reverse-speed ratios (100%, 115%, and 130% presets or operator defined)
- Operator-selectable decelerator function (hydrostats and engine or hydrostats only)
- Single-lever steering with counter-rotate function
- Full power turns with infinitely variable track speed
- HST (dynamic) service brakes
- Wet, multi-disc parking brake
- Remote diagnostic test ports
- Sealed dedicated transmission reservoir and filtration system separate from hydraulic system

Hydraulic System

- Load-sense electrohydraulic (EH) system with variable-displacement piston pump
- 2-spool EH control valve for outside dozer (OSD)
- ▲ 3-spool EH control valve for OSD with single auxiliary
- 3-spool EH control valve for Power-Angle-Tilt (PAT)
- ▲ 4-spool EH control valve for PAT with single auxiliary
- Grade-control-ready EH hydraulics
- ▲ SmartGrade™ 3D grade-control system

850L Hydraulic System (continued)

- ▲ SmartGrade Ready including Slope Control system
- Hydra™ All-Season Hydraulic Oil, -15 deg. C to 50 deg. C (5 deg. F to 122 deg. F)
- ▲ Hydra™ XR Hydraulic Oil, -40 deg. C to 40 deg. C (-40 deg. F to 104 deg. F)
- ▲ Threaded pitch jack (OSD only)
- ▲ Power pitch for programmable return to pitch settings (OSD only)
- Hydraulic pump, standard
- ▲ Hydraulic pump, high flow (for use with hydraulic winch)
- ▲ Cylinder rod scrapers (PAT only)
- Sealed dedicated hydraulic reservoir and filtration system separate from transmission system

Undercarriage

- Full-length, smooth-surface track frame
- Double-flange rollers
- Oscillating undercarriage
- Heavy-duty sealed and lubricated undercarriage
- ▲ Extended Life undercarriage with SC-2™ bushings
- ▲ Full-length rock guards

Operator's Station

- Enclosed cab with air conditioner/heater
- ▲ Automatic temperature control (ATC)
- Deluxe seat, cloth with heavy-duty air suspension
- ▲ Premium seat, leather accented, heat and ventilation, with heavy-duty air suspension
- AM/FM/Weather-Band (WB) radio
- ▲ Premium radio with Bluetooth, AM/FM/WB radio, remote auxiliary, and remote USB port
- Multifunction/multi-language 178-mm (7 in.) color LCD monitor: Tachometer, hour meter, transmission direction and speed (forward/reverse), exhaust filter status, ambient temperature, and clock
- ▲ Rearview camera
- ▲ HVAC-powered precleaner
- Backup alarm
- 12-volt accessory plug (1)
- ▲ Additional 12-volt accessory plug
- ▲ Fire extinguisher mounting bracket
- Keyless start with multiple security codes
- Front, door, and rear wipers and washers

Overall Vehicle

- Tilt operator station service access
- Environmental drain package
- Fluid-sampling ports

850L Overall Vehicle (continued)

- JDLink™ wireless machine communication system (available in specific countries; see your local dealer for details)
- ▲ Quick service ports (HST, hydraulic, and engine oil, and coolant)
- ▲ Fast-fuel system
- LED lights, grille mounted (2), front cab mounted (2), and rear mounted (2)
- ▲ Premium LED lights: grille mounted (2), high-output front cab mounted (4), and high-output rear mounted (4)
- Engine-compartment light
- ▲ Beacon light
- ▲ Trimble-ready interface package
- ▲ Leica-ready interface package
- Lockable master electrical disconnect switch
- ▲ Waste-handler package (LGP only)
- ▲ Large debris prescreen
- ▲ Recessed sprockets
- ▲ Final-drive trash guards (waste applications)
- ▲ Fender guards
- Foldout front grille
- ▲ Heavy-duty foldout front grille
- ▲ Forestry limb risers (sweeps)
- ▲ Cab screens, full enclosure
- ▲ Rear window screen

Attachments

- ▲ Rear ripper, parallelogram, 3 shank
- ▲ Rear ripper, parallelogram, 5 shank
- ▲ Counterweight, front, 355 kg (783 lb.)
- ▲ Rear counterweight (1 or 2)
- ▲ Retrieval hitch with pin
- ▲ Retrieval hitch with 1 or 2 counterweights
- ▲ Extended rigid drawbar
- ▲ Rear storage compartment with strikers

XLT WLT LGP 850L Shoes

- ▲ ▲ 610-mm (24 in.) moderate service with clipper corners
- ▲ ▲ ▲ 610-mm (24 in.) extreme service with clipper corners
- ▲ ▲ 760-mm (30 in.) moderate service with clipped corners
- ▲ ▲ ▲ 760-mm (30 in.) extreme service with clipped corners
- ▲ ▲ ▲ 760-mm (30 in.) extreme service with trapezoidal holes and clipped corners
- ▲ ▲ 910-mm (36 in.) moderate service with clipped corners
- ▲ ▲ ▲ 910-mm (36 in.) extreme service with clipped corners
- ▲ ▲ ▲ 910-mm (36 in.) extreme service with trapezoidal holes and clipped corners

While general information, pictures, and descriptions are provided, some illustrations and text may include product options and accessories NOT AVAILABLE in all regions, and in some countries products and accessories may require modifications or additions to ensure compliance with the local regulations of those countries.

Net engine power is with standard equipment including air cleaner, exhaust system, alternator, and cooling fan at test conditions specified per ISO9249. No derating is required up to 3050-m (10,000 ft.) altitude. Also available: winches, fair-leads, log arches, skidding grapples, trash packages, landfill protection packages, cable plows, side booms, field-installed cab for canopy, canopy heater, and fire-suppression systems. Specifications and design subject to change without notice. Wherever applicable, specifications are in accordance with SAE standards. Except where otherwise noted, these specifications are based on a unit with ROPS, full fuel tank, and 79-kg (175 lb.) operator. Operator station ROPS and FOPS certified.



DKALDZR850 (23-09)



JOHN DEERE